

# User Manual

## USB 2.0

### USB 2.0 PLUG & PLAY EXTENDER KIT OVER UTP CABLE

How to install, set up and use your new products



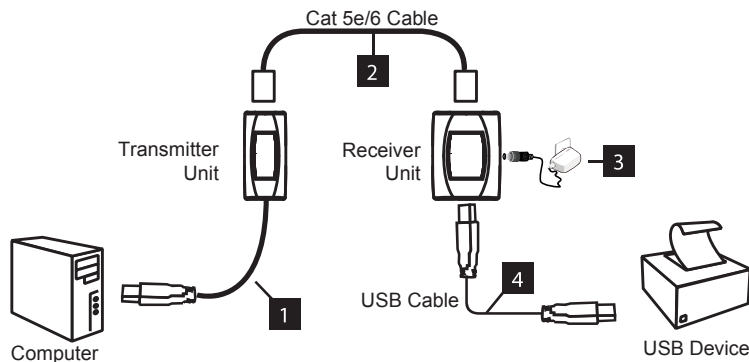
## Product Features

- Extends USB 2.0 signal up to 50 meter / 165 ft. using one 24 AWG Solid Cat5e/Cat6 UTP cable
- Support USB 2.0 at speed up to 480 Mbps
- Ideal for USB peripheral extension & data transfer
- System Requirement : Any system which supports USB2.0/USB1.1/USB1.0

## Package Includes

- Transmitter Unit
- AC/DC 5V 2A power adapter
- Receiver Unit
- Owner's Manual

## Installation



**1** Connect source and transmitter unit with USB A-type pigtail cable

**2** Connect the RJ45 ports on the transmitter and receiver units with user-supplied Cat5e/6 cable

**3** Connect the receiver unit to the included power adapter

**4** Connect the receiver unit to the USB device using a user-supplied USB cable.

## Safety Information

- To reduce the risk of electric shock, do not expose this product to rain or moisture.
- Operate this product using only the included external power supply. Use of other power supplies could impair performance, damage the product, or cause fire.
- Use only recommended accessories to avoid fire, shock or other hazards.
- Unplug this product before cleaning. Use a damp cloth for cleaning. Do not use cleaning fluids or aerosols, which could enter the unit and cause damage, fire or electrical shock.
- Do not attempt to service this unit. Instead, disconnect it and contact your Authorized Reseller or technician.

## Warranty

This product is to be free from defects in material and workmanship for the following limited warranty period:

Manufacturer will repair or replace the product only if the product has not been subjected to mechanical, electrical, or other forms of abuse or modification, and if the product fails and the manufacturer is notified within the 1 year of purchase.

This warranty supersedes all other warranties expressed or implied, including without limitation, any implied warranty or merchantability or fitness for any particular purpose, all of which are expressly disclaimed.

The information in this manual has been carefully checked and is believed to be accurate; however, the manufacturer assumes no responsibility for any inaccuracies that may be contained in this manual. In no event will the manufacturer be liable for direct, indirect, special, incidental, or consequential damages resulting from any defect or omission in this manual, even if advised of the possibility of such damages. The technical information contained herein regarding USB 2.0 Plug & Play Extender Kit over UTP Cable features and specifications is subject to change without notice.