

SC-232-D



RS232 to RS485/422 Opto-Isolation Converter

Order online or call 1-800-343-1455

L-com.com

◆ **Product Overview**

L-Com's SC-232-D features optical isolation to protect your valuable communications equipment from damaging ground loops. Both RS232 and RS485/422 sides are powered by an external power supply (sold separately).

◆ **Main functions**

- Photoelectric isolation between the RS232 and RS485/422 signals ;
- Plug and play support ;
- Transmits automatically, CTS flow control not required ;

◆ **Specifications**

Power Supply	5VDC external power supply sold separately.
Working Current	<15mA
Baud rate	300~38.4Kbps
Maximum Distance	RS485/ RS422 1.2Km(19.2Kbps)
Maximum Nodes	128 nodes
Electrical	15Kv static, 600W/ms lightning protection and 2500V optic isolation
Weight	38g(with terminal block)
Dimensions	87mm×33mm×17mm(with terminal block)
Working temperature	-40°C ~ 85°C

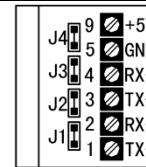
◆ **PIN Settings**

The RS232 end is DB9 female. The pin definitions are below :

PIN	1	4	6	7	8	2	3	5	
Define	short circuit			short circuit			TX	RX	GND

The RS485/RS422 end is DB9 male. The pin definitions are below :

PIN	1	2	3	4	5	6	7	8	4
Define	J2(ON、 OFF)		J3(ON、 OFF)		GND	J1(ON、 OFF)		J4(ON)	
RS-485	A+(J2 ON)		B-(J3 ON)			J1 (ON)		Short circuit(ON) 120•	
RS-422	(J2 OFF)		(J3 OFF)			J1 (OFF)			
	TX+	RX+	TX-	RX-					



- The 5VDC power lines are connected on the +5V and GND pins.
- A 120• resistor will be activated on pins A+ and B- when jumper J4 is connected.

◆ **Applications**

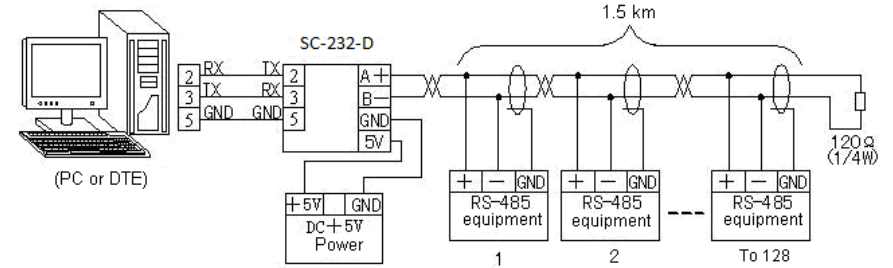


Chart 1 : Master-Slave and half duplex communication

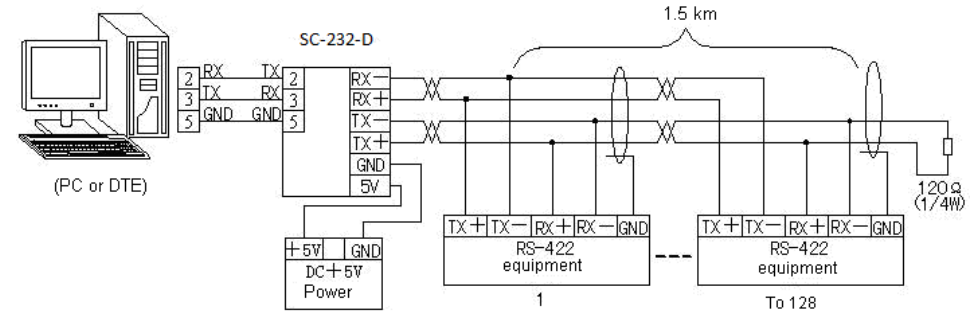
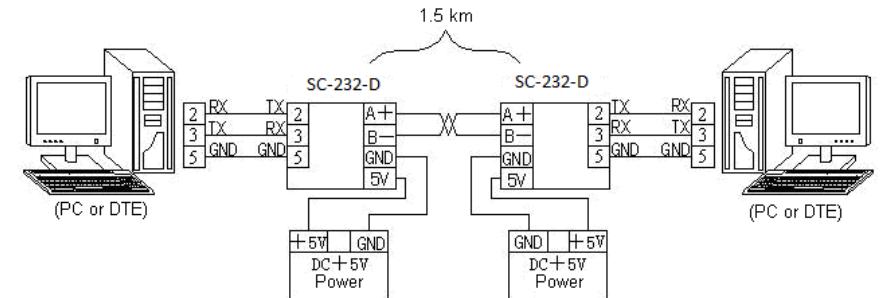


Chart 2 : Master-Slave and half duplex communication



◆ **Notice**

- Matching the resistance in RS485:

When using the 120 • jumper, it is required to have a similar 120 • resistor on the other end. It is only required to use this feature if the data rate is above 19.2Kbps or the cable length is over 200m.