

SC-232-C



RS232/RS485/422 Port-Powered Converter

Order online or call 1-800-343-1455

L-com.com

Product Overview

The SC-232-C is a port-powered serial converter that converts TxD and RxD RS232 to RS485/422 signals. This device also features automatic Send Data Control (SDC) which automatically enables the RS485 driver when data is present on the RS232 side.

Specifications

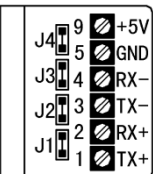
Power Supply	Powered from the RS232 side, no external power needed.
Working Current	<10mA
Baud rate	300 ~ 115.2Kbps
Maximum Distance	RS-485/422:<1.2Km(19.2Kbps),RS-232:15m
Maximum Nodes	128 nodes
Electrical	15Kv static and 600W/ms lightning protection
Weight	38g(with terminal block)
Dimensions	87mm×33mm×17mm(with terminal block)
Working temperature	-40°C ~ 85°C

PIN Settings The RS232 end is DB9 female. The pin definitions are below :

PIN	1	4	6	7	8	2	3	5
Define	short circuit		short circuit		TX	RX	GND	

The RS485/422 end is DB9 male. The pin definitions are below :

PIN	1	2	3	4	5	6	7	8	4
Jumper	J2		J3			J1		J4	
RS-485	A+(J2 ON)		B-(J3 ON)		GND	J1 (ON)		Short circuit(ON)	
RS-422	(J2 OFF)		(J3 OFF)		GND	J1 (OFF)		to add 120•	
	TX+	RX+	TX-	RX-					



Do not connect any power to the 5V pin, this pin is only for measurement and testing.

A 120• resistor can be activated between the A+ and B- pins by connecting jumper J4.

Applications

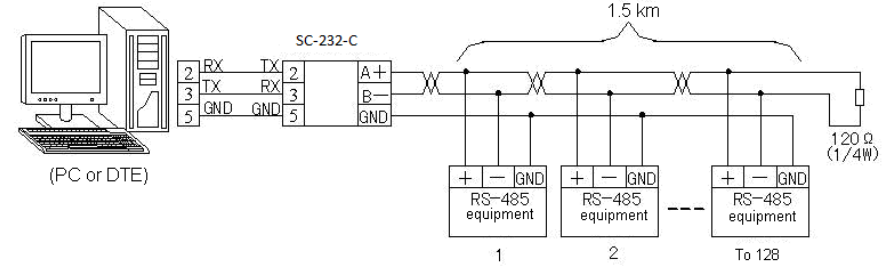


Chart 1 : Master-Slave and half duplex communication

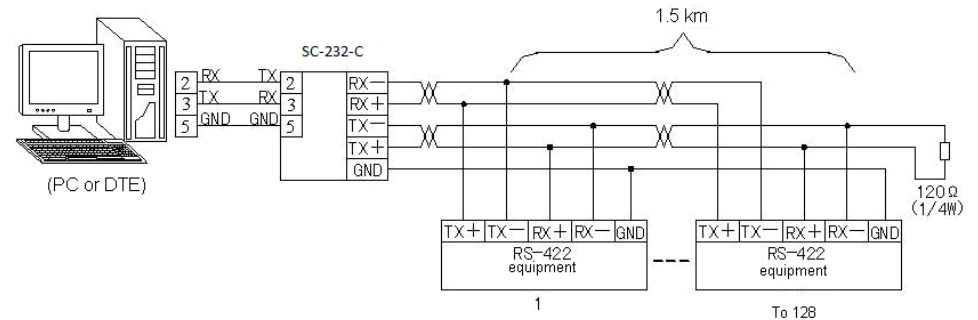


Chart 2 : Master-Slave and half duplex communication

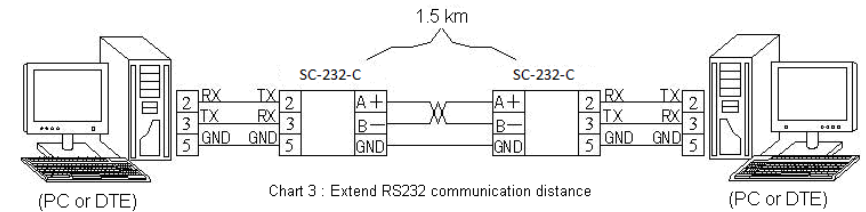


Chart 3 : Extend RS232 communication distance

Notices

• Matching the resistance in RS485:

When using the 120 • jumper, it is required to have a similar 120 • resistor on the other end. It is only required to use this feature if the data rate is above 19.2Kbps or the cable length is over 200m.

• RS485 Grounding

The GND circuits do need to be connected together, but do not link them to earth ground.