

1. Package Contents

Thank you for purchasing PLANET 8-Port 10/100/1000T Wall Mounted Gigabit Ethernet Switch with 4-Port PoE+, WGS-804HP. "Wall-mounted PoE Switch" mentioned in this Guide refers to the WGS-804HP.

Open the box of the Wall-mounted PoE Switch and carefully unpack it. The box should contain the following items:

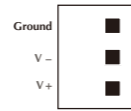
- The Wall-mounted PoE Switch x 1
- User Manual x 1
- DIN-rail Kit x 1
- Wall-mounted kit x 1
- Magnet Kit x 1
- 3-pin Terminal Block Connector x 1
- RJ45 Dust-proof Cap x 8

If any item is found missing or damaged, please contact your local reseller for replacement.

2.1 Terminal Block Connector Pinouts

To install the 3-pin Terminal Block Connector on the WGS-804HP, simply follow the following steps:

Step 1: Insert positive DC power wire into **V+**, negative DC power wire into **V-**, and grounding wire into **Ground**.



Step 2: Tighten the wire-clamp screws for preventing the wires from loosening and plug into the wall-mounted switch.

- Note**
1. The wire gauge should be in the range from 12 to 24 AWG
 2. The device must be grounding
 3. The DC power input range is 48V ~ 56V DC

2.2 LED Indicators

System

| LED | Color | Function |
|-----|-------|--|
| PWR | Green | Lights to indicate that the Switch has power. |

| | | |
|------|-------|---|
| 1000 | Green | Lights: To indicate that the port is operating at 1000Mbps . Off: If LNK/ACT LED is lit, it indicates that the port is operating at 10/100Mbps . If LNK/ACT LED is Off, it indicates that the port is link-down. |
|------|-------|---|

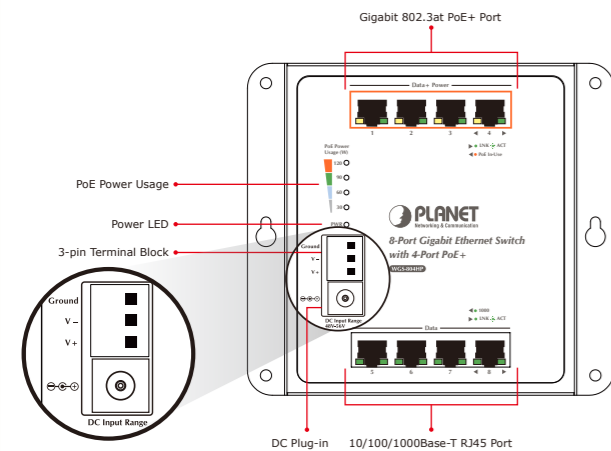
PoE Power Usage (Unit: Watt)

| LED | Color | Function |
|-----|-------|---|
| 30 | Green | Lights: To indicate the system consumes over 30-watt PoE power budget |
| 60 | Green | Lights: To indicate the system consumes over 60-watt PoE power budget |
| 90 | Green | Lights: To indicate the system consumes over 90-watt PoE power budget |
| 120 | Green | Lights: To indicate the system consumes over 120-watt PoE power budget |

| | |
|------------------------|--|
| Enclosure | IP30 aluminum |
| Dimensions (W x D x H) | 148 x 24.2 x 134mm |
| Weight | 510g |
| Power over Ethernet | |
| PoE Standard | IEEE 802.3af / 802.3at Power over Ethernet PSE |
| PoE Power Supply Type | End-span |
| Power Pin Assignment | 1/2(+), 3/6(-) |
| PoE Power Output | IEEE 802.3af Standard - Per port 48V~56V DC (depending on the power supply), 15.4 watts (max.) IEEE 802.3at Standard - Per port 50V~56V DC (depending on the power supply), 30 watts (max.) |
| PoE Power Budget | 120 watts |

2. Hardware Description

The front panel of the WGS-804HP PoE Ethernet Switch consists of 8 x Auto-Sensing 10/100/1000Mbps Ethernet RJ45 Ports. The LED Indicators are also located on the RJ45 ports of the PoE Ethernet Switch.



PoE 10/100/1000BASE-T interfaces (Port-1 to Port-4)

| LED | Color | Function |
|---------|--------|---|
| LNK/ACT | Green | Lights: To indicate the link through that port is successfully established. Blink: To indicate that the switch is actively sending or receiving data over that port. |
| PoE | Orange | Lights: To indicate the port is providing DC in-line power. Off: To indicate the connected device is not a PoE Powered Device (PD) |

10/100/1000BASE-T interfaces (Port-5 to Port-8)

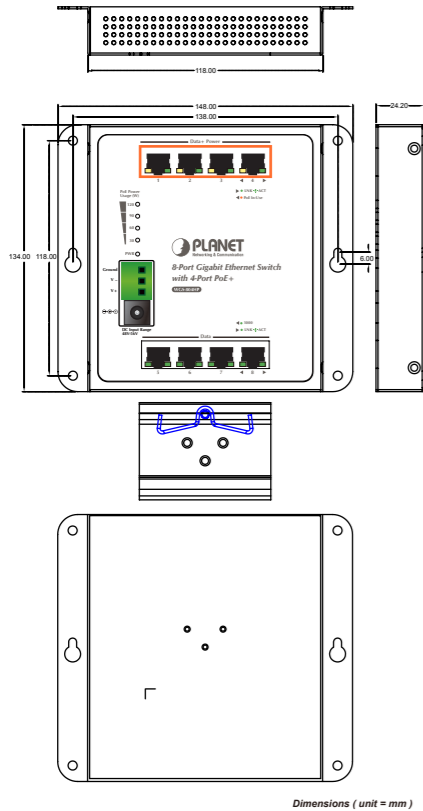
| LED | Color | Function |
|---------|-------|---|
| LNK/ACT | Green | Lights: To indicate the link through that port is successfully established. Blink: To indicate that the switch is actively sending or receiving data over that port. |

2.3 Product Specifications

| Model | WGS-804HP |
|-------------------------|--|
| Hardware Specifications | |
| Network Connector | 8-Port RJ45 for 10/100/1000BASE-T |
| PoE Inject Port | 4-Port with 802.3af / 802.3at PoE injector function |
| MAC Address Table | 8K MAC address table with auto learning function |
| Data Buffer | 64Kbytes |
| Switch Fabric | 16Gbps |
| Switch Throughput | 11.9Mpps@64Bytes |
| Flow Control | Back pressure for half duplex. IEEE 802.3x pause frame for full duplex |
| Power Requirements | 48~56V DC, 3A (max.) |
| Power Consumption | 140 watts / 478BTU |
| ESD Protection | 6KV DC |
| EFT Protection | 6KV DC |

| Standard Conformance | | |
|-----------------------|--|--|
| Standard Compliance | IEEE 802.3 Ethernet IEEE 802.3u Fast Ethernet IEEE 802.3ab Gigabit Ethernet IEEE 802.3x Flow Control IEEE 802.3af Power over Ethernet IEEE 802.3at Power over Ethernet Plus | |
| Regulation Compliance | FCC Part 15 Class A, CE | |
| Environment | | |
| Operating | Temperature: -10 ~ 60 degrees C Relative Humidity: 5 ~ 95% (non-condensing) | |
| Storage | Temperature: -20 ~ 70 degrees C Relative Humidity: 5 ~ 95% (non-condensing) | |

2.4 Physical Dimensions (WxDxH): 148 x 24.2 x 134mm

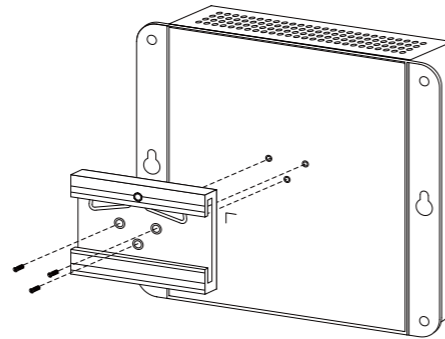


- 9 -

3.2 DIN-Rail Mounting Installation

The DIN-Rail is screwed on the WGS-804HP when out of factory. When the wall mount application for the WGS-804HP needs to be replaced with DIN-Rail application, please refer to following figures to screw the DIN-Rail on the WGS-804HP, follow the below steps:

Step 1: Screw the DIN-Rail on the WGS-804HP



- 11 -

3. Installation

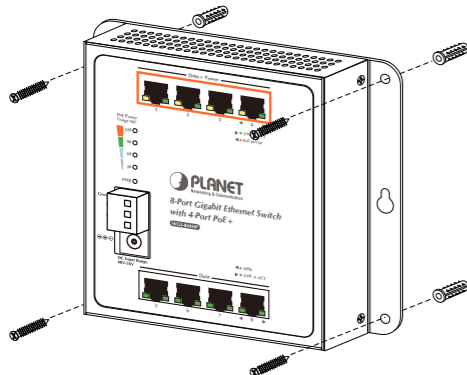
3.1 Wall Mount Installation

To install the PoE Ethernet Switch on the wall, simply follow the following steps:

Step 1: There are 4 holes with 8mm diameter on the wall; the distance between the 2 holes is 133mm and the line through them must keep horizontal.

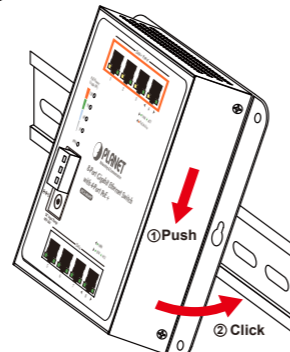
Step 2: Install a conductor pipe inside the board hole and flush the edge of the conductor pipe with the wall surface.

Step 3: Screw the bolts into the conductor pipe. The WGS-804HP is between bolts and conductor pipe, as shown below.

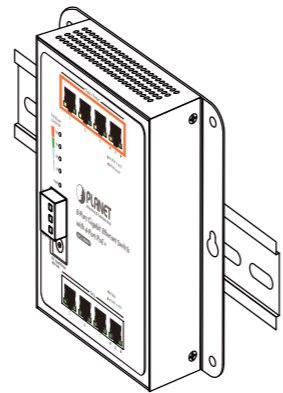


- 10 -

Step 2: Lightly press the button of DIN-Rail into the track



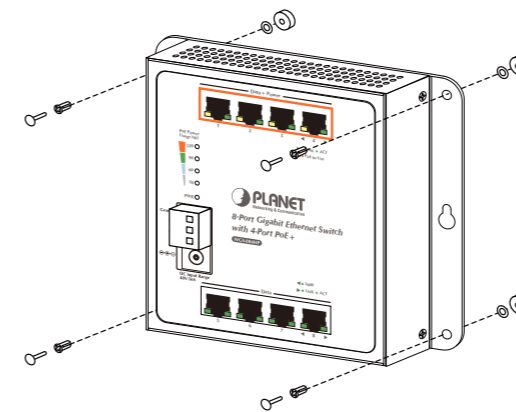
Step 3: Check whether the DIN-Rail is tightly on the track



- 12 -

3.3 Magnet Installation

To install the WGS-804HP on a magnetic surface, simply follow the following picture:



- 13 -

www.PLANET.com.tw

PoE Switch
WGS-804HP

8-Port 10/100/1000T Wall Mounted
Gigabit Ethernet Switch with 4-Port PoE+



PLANET Technology Corp.
2350-A36010-000



4. Customer Support

Thank you for purchasing PLANET products. You can browse our online FAQ resource and User's Manual on PLANET Web site first to check if it could solve your issue. If you need more support information, please contact PLANET switch support team.

PLANET online FAQ:
<http://www.planet.com.tw/en/support/faq.php?type=1>

Switch support team mail address:
support_switch@planet.com.tw

Copyright © PLANET Technology Corp. 2014.
Contents are subject to revision without prior notice.
PLANET is a registered trademark of PLANET Technology Corp.
All other trademarks belong to their respective owners.

- 14 -