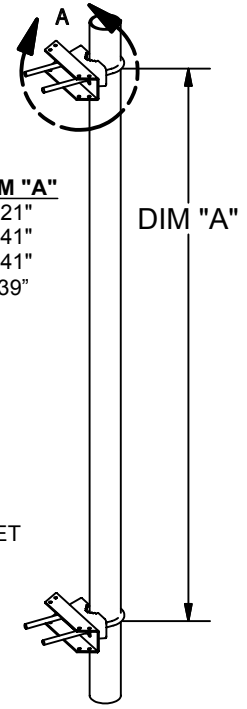
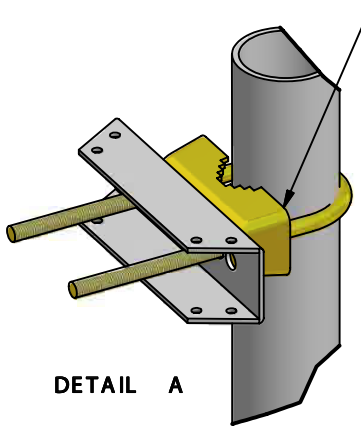


POLE MOUNTING DETAILS

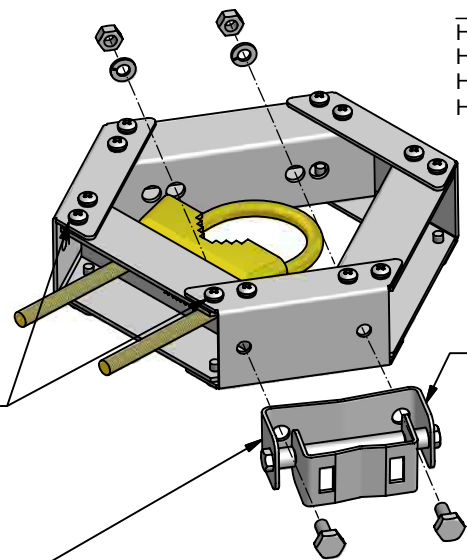


MODEL#	DIM "A"
HK2414-120	21"
HK2417-120	41"
HK2420-120	41"
HK5817H-120	39"



DETAIL A

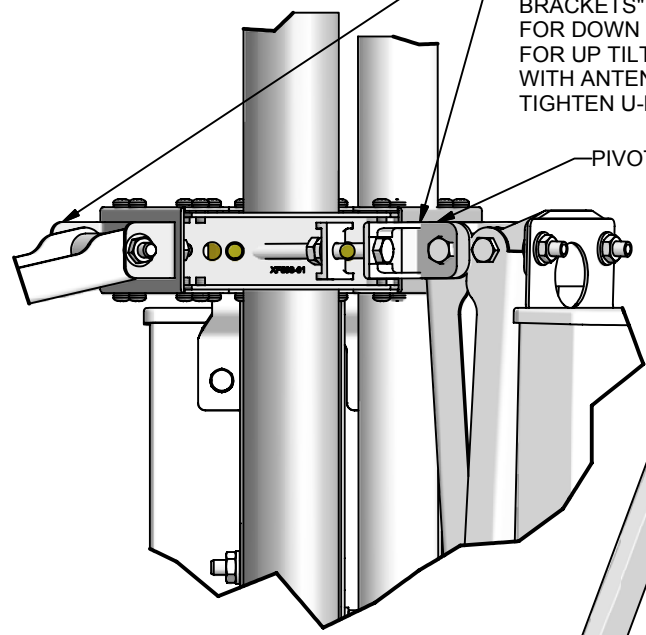
STEP 1
 ASSEMBLE C-BRACKET & U-BOLT CLAMP ASSEMBLY TO POLE.
 REPEAT AND POSITION ABOVE (DO NOT TIGHTEN YET)
 ACCORDING TO ANTENNA SIZE. (SEE CHART, DIM "A")



STEP 2
 ATTACH 5-SEGMENT SUB-ASSEMBLY
 TO POLE-MOUNTED C-BRACKET
 USING EIGHT (8) #10-32 SCREWS AND
 EIGHT (8) #10 LOCK WASHERS. REPEAT
 TO CREATE SECOND ASSEMBLY.

PIVOT BRACKET

STEP 3
 ASSEMBLE ANTENNA MOUNTING KIT. USE 1/4-20 x 5/8" BOLTS,
 LOCK WASHERS AND NUTS PROVIDED TO ATTACH "PIVOT
 BRACKETS" TO POLE MOUNTED C-BRACKETS.
 FOR DOWN TILT PUT ANGLE ADJUSTOR ON TOP.
 FOR UP TILT PUT ANGLE ADJUSTOR ON BOTTOM.
 WITH ANTENNAS IN THE FLUSH (ZERO DEGREE) POSITION,
 TIGHTEN U-BOLT CLAMP ASSEMBLIES.

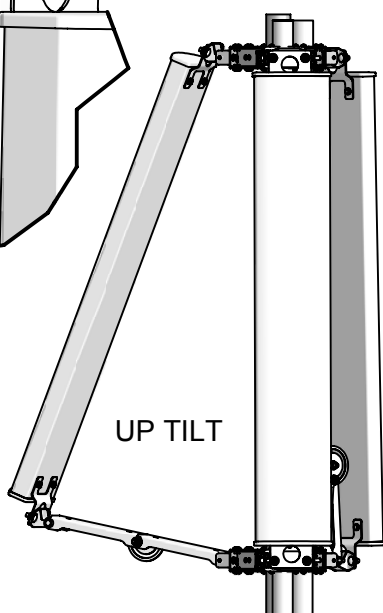


DETAIL B

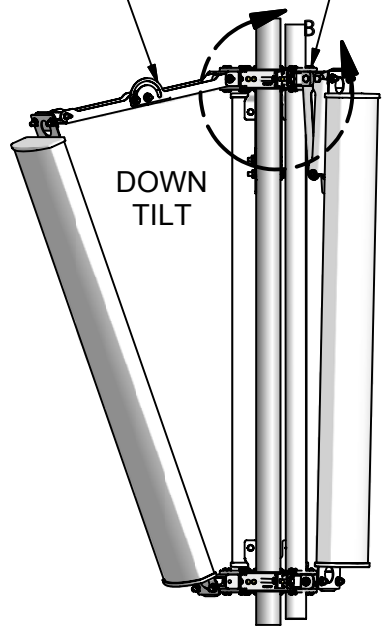
PIVOT BRACKET

ANGLE ADJUSTOR IN EXTENDED POSITION

FLUSH POSITION



UP TILT



DOWN TILT