



Mounting:

The BT-CAT5-NB12 is designed to mount into a standard 19" equipment rack, 3 rack spaces are required.

Power Requirements:

The BT-CAT5-NB12 contains (2) 120VAC/60Hz/600W power supplies to provide power to each of the 12 RJ45 ports. (2) 3-prong power cords are provided on the unit.

Note: A 15A breaker is recommended for each power input.

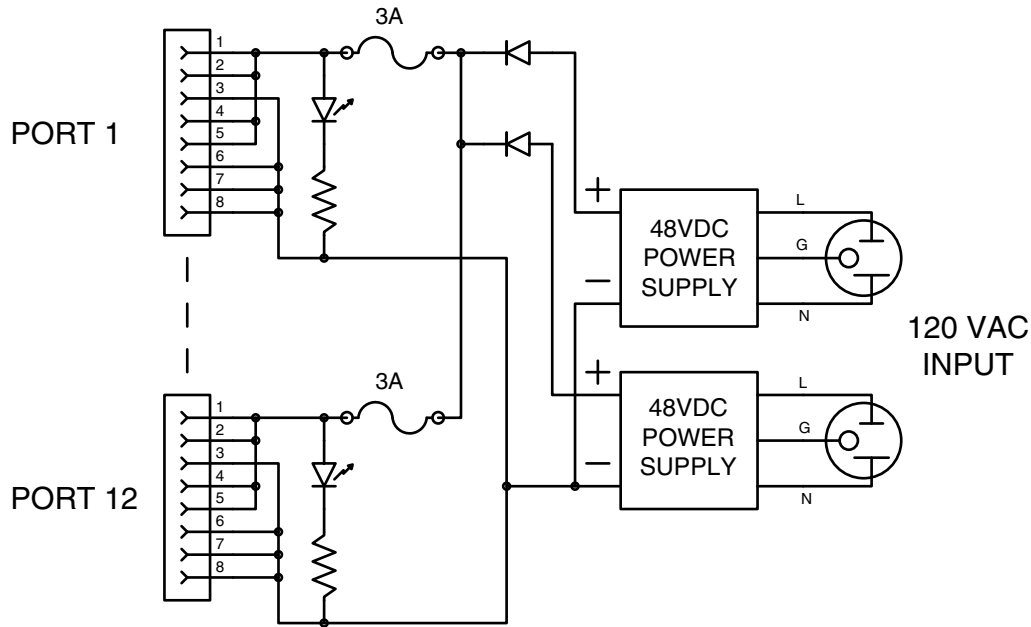
Installation With Enclosures:

The BT-CAT5-NB12 is designed to provide power to the heaters in up to 12 L-com NB141207-4H0 enclosures using CAT5 cabling. Heat output of the NB141207-4H0 internal heater will vary with the length of the CAT5 cable.

The heater resistance is 47 ohms. With zero cable loss at 48 VDC input, the heater generates 49 watts. The heater and the heat generated by the enclosed equipment set the total. The NB141207-4H0 uses all 8 wires in a CAT5 cable versus 4 wires used in standard 802.3af PoE. At 100m, the worst case loop resistance of the CAT5 cable will be 4.8 ohms. Approximately 4W of heat will be dissipated in the cable and the heater output will drop to 40 watts. If a long cable is used and the equipment mounted in the enclosure does not generate sufficient heat, the BT-CAT5-NB12 injector output voltage can be adjusted higher to compensate. The maximum voltage is 55 volts. This can be done at the factory prior to shipment.

The BT-CAT5-NB12 and NB141207-4H0 enclosure uses a proprietary wiring pin out. The RJ45 connectors on the BT-CAT5-NB12 enclosure or the NB141207-4H0 should never be connected to any other manufacturers equipment. L-com is not liable for any damage done to incompatible equipment due to misuse of the BT-CAT5-NB12 or NB141207-4H0.

BT-CAT5-NB12 DIAGRAM



Cable Specification:

The BT-CAT5-NB12 and NB141207-4H0 can use CAT5 cabling wired to meet either EIA 568-A or EIA 568-B specifications. Failure to use the proper cable, or one incorrectly fabricated could result in a short of the 48VDC power that is fed through the cable from the BT-CAT5-NB12 to the NB141207-4H0. Use of improper cables is not covered by the products warranty.

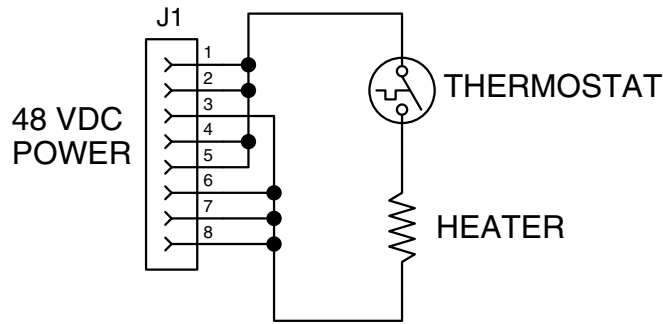
CAT5 (EIA 568-B) Cable

Connector #1	Connector #2
1 WHT/ORG	1 WHT/ORG
2 ORG	2 ORG
3 WHT/GRN	3 WHT/GRN
4 BLU	4 BLU
5 WHT/BLU	5 WHT/BLU
6 GRN	6 GRN
7 WHT/BRN	7 WHT/BRN
8 BRN	8 BRN

CAT5 (EIA 568-A) Cable

Connector #1	Connector #2
1 WHT/GRN	1 WHT/GRN
2 GRN	2 GRN
3 WHT/ORG	3 WHT/ORG
4 BLU	4 BLU
5 WHT/BLU	5 WHT/BLU
6 ORG	6 ORG
7 WHT/BRN	7 WHT/BRN
8 BRN	8 BRN

MOUNTING PLATE DIAGRAM - NB141207-4H0



Pins 1, 2, 4, 5: + 48 VDC
 Pins 3, 6, 7, 8: - 48 VDC

APPLICATION DIAGRAM

