

BNC Male Connector Clamp/Solder Attachment for LMR-240, LMR-240-DB, LMR-240-FR, and 240-Series Cable



TC-240-BMC-LC



Times Microwave Systems Connector Specification

Configuration

- BNC Male Connector
- 50 Ohms
- Straight Body Geometry
- LMR-240, LMR-240-DB, LMR-240-FR, 240-Series Interface Type
- Clamp/Solder Attachment

Features

- Designed to industry standard interface dimensions
- Quality body materials and plating
- Clamp/Solder attachment
- Operates to 1 GHz

Applications

- RF Boxes and components
- RF Test systems
- General Purpose RF Interconnect
- Laboratory applications

Description

L-com's BNC Male connector for LMR-240, LMR-240-DB, LMR-240-FR and 240-Series coax uses a Clamp/Solder attachment method. This BNC connector is one of the many RF coaxial connectors in L-com's product line up and like all our products, they will ship the same day. Our BNC Male connector operates up to a maximum frequency of 1 GHz.

The specifications and a basic dimensional drawing for TC-240-BMC-LC Male BNC connector can be found in this datasheet PDF. L-com's portfolio of RF and microwave connectors allows users to choose from a large number of options when building assemblies to fit their RF interconnect needs. RF cables can be created to fulfill many interconnect applications ranging from In the Box hookup, test equipment connectivity or as part of a system installation. In addition to an offering of RF connectors and coaxial cable L-com offers both standard and custom cable assemblies to fit a customer's specific needs.

Electrical Specifications

Description	Minimum	Typical	Maximum	Units
Frequency Range	DC		1,000	MHz
VSWR			1.25:1	
Insertion Loss			0.1	dB
Operating Voltage (AC)			500	Vrms

Mechanical Specifications

Size

Length	1.06in	[26.92mm]
Width/Dia.	0.56in	[14.22mm]
Weight	0.04lbs	[18.14g]

Click the following link (or enter part number in "SEARCH" on website) to obtain additional part information including price, inventory and certifications:
[BNC Male Connector Clamp/Solder Attachment for LMR-240, LMR-240-DB, LMR-240-FR, and 240-Series Cable TC-240-BMC-LC](#)

BNC Male Connector Clamp/Solder Attachment for LMR-240, LMR-240-DB, LMR-240-FR, and 240-Series Cable



TC-240-BMC-LC



Material Specifications

Description	Material	Plating
Contact	Brass	Gold
Insulation	Teflon	
Outer Conductor	Beryllium Copper	Silver
Body	Brass	Silver
Coupling Nut	Brass	Silver

Environmental Specifications

Compliance Certifications (see [product page](#) for current document)

Plotted and Other Data

BNC Male Connector Clamp/Solder Attachment for LMR-240, LMR-240-DB, LMR-240-FR, and 240-Series Cable from L-com has same day shipment for domestic and International orders. Our portfolio includes coaxial cable assemblies, connectors, adapters and custom products as well as lightning and surge protectors, NEMA rated enclosures, and an RF product line which includes antennas, amplifiers, passive, and active components. Click the following link (or enter part number in "SEARCH" on website) to obtain additional part information including price, inventory and certifications: BNC Male Connector Clamp/Solder Attachment for LMR-240, LMR-240-DB, LMR-240-FR, and 240-Series Cable TC-240-BMC-LC

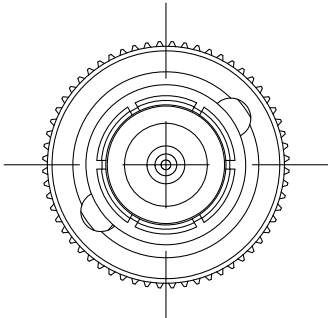
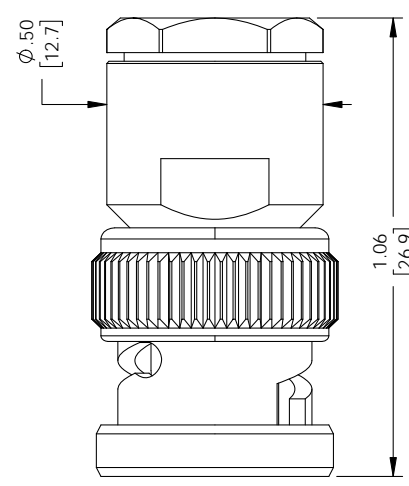
URL: <https://www.l-com.com/bnc-male-connector-clamp-solder-attachment-lmr-240-lmr-240-db-lmr-240-fr-240-series-cable-tc-240-bmc-lc-p.aspx>

The information contained within this document is accurate to the best of our knowledge and representative of the part described herein. It may be necessary to make modifications to the part and/or the documentation of the part in order to implement improvements. L-com reserves the right to make such changes as required. Unless otherwise stated, all specifications are nominal. L-com does not make any representation or warranty regarding the suitability of the part described herein for any particular purpose, and L-com does not assume liability arising out of the use of any part or document. The information contained within this document is accurate to the best of our knowledge and representative of the part described herein. It may be necessary to make modifications to the part and/or the documentation of the part in order to implement improvements. L-com reserves the right to make such changes as required. Unless otherwise stated, all specifications are nominal. L-com does not make any representation or warranty regarding the suitability of the part described herein for any particular purpose, and L-com does not assume liability arising out of the use of any part or document.

BNC Male Connector Clamp/Solder Attachment for LMR-240, LMR-240-DB, LMR-240-FR, and 240-Series Cable

L-com CAD Drawing

REVISIONS		
REV.	DESCRIPTION	DATE
A	INITIAL RELEASE	03/03/2020
		APPROVED SELLIS

UNLESS OTHERWISE SPECIFIED LEADING DIMENSIONS ARE INCHES DIMENSIONS IN [] ARE MILLIMETERS.

TOLERANCES:


.X = ±.2	[5.08]	FRACTIONS	± 1/32
.XX = ±.02	[.51]	ANGLES	± 1°
.XXX = ±.005	[.13]		

CABLE LENGTH (L) TOLERANCES:

L ≤ 12 [305]	±.1	[25] / -0
12 [305] < L ≤ 60 [1524]	±.2	[51] / -0
60 [1524] < L ≤ 120 [3048]	±.4	[102] / -0
120 [3048] < L ≤ 300 [7620]	±.6	[152] / -0
300 [7620] < L	±.8	[203] / -0

ALL DIMENSIONS SHOWN ARE FOR REFERENCE ONLY.

THIRD-ANGLE PROJECTION



THE INFORMATION AND DESIGN CONTAINED HEREIN IS THE PROPERTY OF L-COM GLOBAL CONNECTIVITY. ALL RIGHTS RESERVED.

SHEET 1 OF 1

SCALE N/A

an INFINITE brand

50 High Street, West Mill, 3rd Floor, Suite #30
North Andover, MA 01845 USA
Phone: 1.800.341.5266 | 1.978.682.6936
Fax: 1.978.689.9484
Website: www.L-com.com
E-mail: CustomerService@L-com.com

DRAWN BY: BPUGHASKI

PART NUMBER: TC-240-BMC-LC

REV: A

THESE COMMODITIES, TECHNOLOGY OR SOFTWARE WERE EXPORTED FROM THE UNITED STATES IN ACCORDANCE WITH THE EXPORT ADMINISTRATION REGULATIONS. DIVERSION CONTRARY TO U.S. LAW PROHIBITED.

T-Rev: 0