

14x12x06 Polycarbonate Weatherproof NEMA 4X Enclosure, 120VAC Mount Plate Clear Lid Black



NBBWPC141206-100

Features

- High-Impact, UV Resistant Polycarbonate (Black)
- Stainless steel latches with padlock eye
- NEMA Type 4X / IP66* rated (includes (4x) optional lid corner screws**)
- Fully gasketed clear lid & user installed wall mounting brackets
- Features aluminum mounting plate with surge protected duplex 120 VAC outlets

Applications

- Remote Wireless LAN WiFi equipment installations
- Indoor and outdoor installations
- Rapid Deployment Installations
- Corrosive environments & hotspot applications
- Protection of equipment from theft or damage

Description

The box is a rugged weatherproof enclosure that is ideal for both indoor and outdoor applications. Constructed from High-Impact, UV Resistant Polycarbonate material that provides superior durability to impacts and ease of modification while maintaining minimum weight. It is well suited for high temperature or corrosive environments. The included wall mount brackets come uninstalled and bagged with their hardware inside of the enclosure. Once the brackets are installed the enclosure can be mounted directly to any flat wall surface provided proper screws are used into secure studs. The brackets, once installed, also allow you to use our HGX-PMT pole mount kits. The clear lid features a non-metallic hinge system that allows for quick removal & can be reattached just as quickly without the need for any tools. The clear lid provides an unobstructed view inside the enclosure allowing for the monitoring of installed equipment and its data readout, activity or warning lights without the need to open the lid. The enclosure comes with a pair of stainless-steel latches with padlock eyes allowing you to secure the enclosure from tampering. The enclosure comes in Black with a Clear Lid.

Mounting Plate

The aluminum mounting plate features standard surge protected duplex 120 VAC outlets and a terminal block for easy hook up to the externally provided line power. In addition, the unit can accept up to two optional bulkhead-mount N-Type lightning protectors to protect the coaxial cable runs.

The HGX-PMT series of pole mounting kits allow the populated enclosure to be securely mounted to a variety of different size poles.

Compatible versions include HGX-PMT13, HGX-PMT16, HGX-PMT28, HGX-PMT29, HGX-PMT30, & HGX-PMT33

*Note: Enclosure ports (Cable conduit connector and N-type holes for lightning protectors or connectors) must be properly sealed to maintain NEMA Type 4X / IP66 rating

**Note: If all four of the optional lid screws are installed the enclosure can achieve. NEMA 6P / IP68 however all of the openings would have to be properly sealed with an IP68 rated plug, gland or coupler.

Size

| | | |
|--------------|---------|-------------|
| Outer Height | 14.6 in | [370.84 mm] |
| Outer Width | 12.6 in | [320.04 mm] |
| Outer Depth | 7.4 in | [187.96 mm] |
| Inner Height | 13.7 in | [347.98 mm] |
| Inner Width | 11.7 in | [297.18 mm] |
| Inner Depth | 5.9 in | [149.86 mm] |
| Weight | 8.6 lbs | [3.9 kg] |

Click the following link (or enter part number in "SEARCH" on website) to obtain additional part information including price, inventory and certifications:
[14x12x06 Polycarbonate Weatherproof NEMA 4X Enclosure, 120VAC Mount Plate Clear Lid Black NBBWPC141206-100](#)

14x12x06 Polycarbonate Weatherproof NEMA 4X Enclosure, 120VAC Mount Plate Clear Lid Black



NBBWPC141206-100

Enclosure Material Polycarbonate

Environmental Specifications

| | |
|--------------------------------|-------------------------------|
| Temperature Rating | -40° to 265°F [-40° to 129°C] |
| NEMA Rating | 4X |
| Ingress Protection (IP) Rating | IP66 |

Compliance Certifications

| | |
|-----------|----|
| UL Listed | No |
|-----------|----|

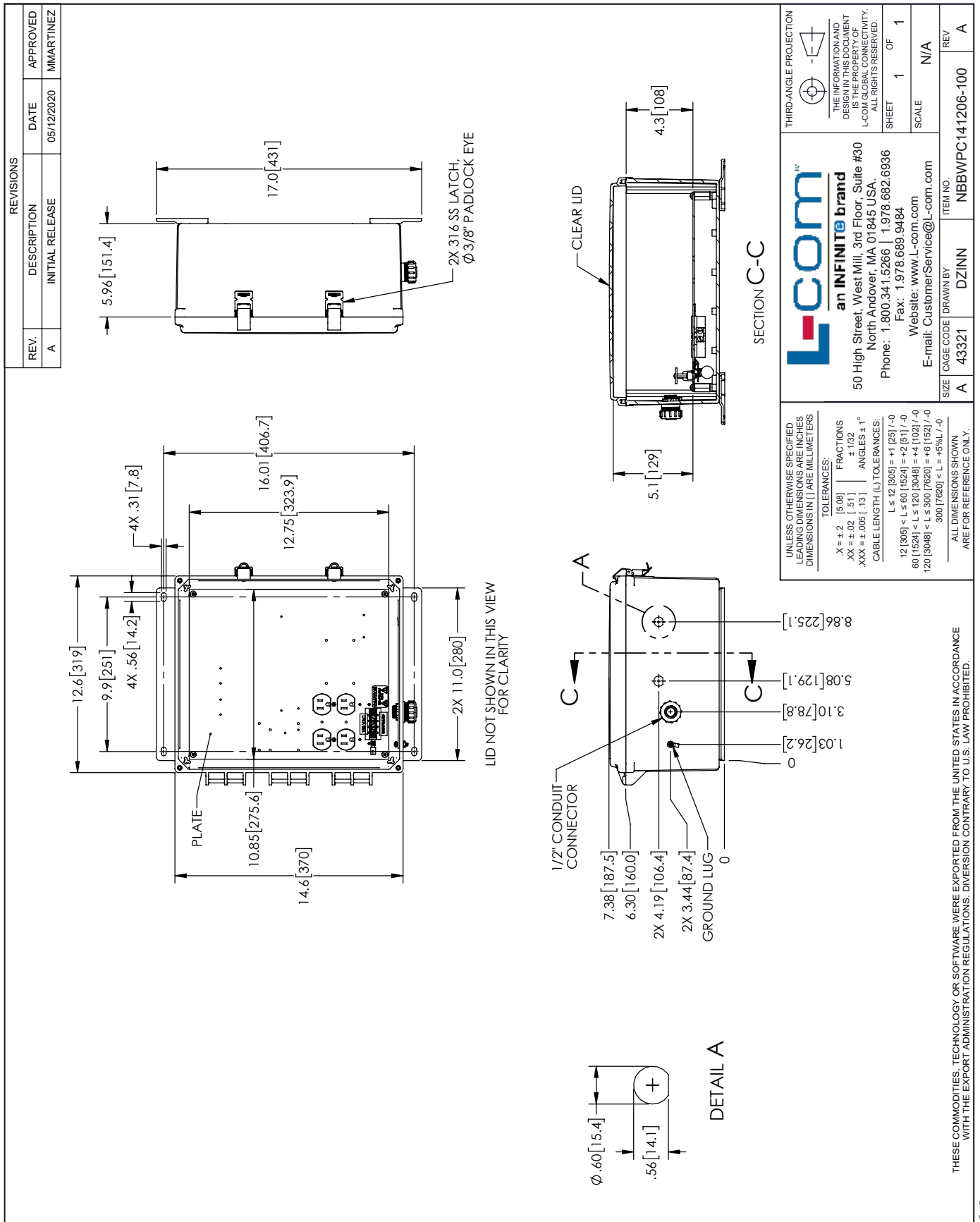
14x12x06 Polycarbonate Weatherproof NEMA 4X Enclosure, 120VAC Mount Plate Clear Lid Black from L-com has same day shipment for domestic and International orders. Our portfolio includes coaxial cable assemblies, connectors, adapters and custom products as well as lightning and surge protectors, NEMA rated enclosures, and an RF product line which includes antennas, amplifiers, passive, and active components. Click the following link (or enter part number in "SEARCH" on website) to obtain additional part information including price, inventory and certifications: 14x12x06 Polycarbonate Weatherproof NEMA 4X Enclosure, 120VAC Mount Plate Clear Lid Black NBBWPC141206-100

URL: <https://www.l-com.com/14x12x06-polycarbonate-weatherproof-nema-4x-enclosure-120vac-mount-plate-clear-lid-black-nbbwpc141206-100-p.aspx>

The information contained within this document is accurate to the best of our knowledge and representative of the part described herein. It may be necessary to make modifications to the part and/or the documentation of the part in order to impliment improvements. L-com reserves the right to make such changes as required. Unless otherwise stated, all specifications are nominal. L-com does not make any representation or warranty regarding the suitability of the part described herein for any particular purpose, and L-com does not assume liability arising out of the use of any part or document.

The information contained within this document is accurate to the best of our knowledge and representative of the part described herein. It may be necessary to make modifications to the part and/or the documentation of the part in order to impliment improvements. L-com reserves the right to make such changes as required. Unless otherwise stated, all specifications are nominal. L-com does not make any representation or warranty regarding the suitability of the part described herein for any particular purpose, and L-com does not assume liability arising out of the use of any part or document.

L-com CAD Drawing



| REVISIONS | | | |
|-----------|-----------------|------------|-----------|
| REV. | DESCRIPTION | DATE | APPROVED |
| A | INITIAL RELEASE | 05/12/2020 | MMARTINEZ |

UNLESS OTHERWISE SPECIFIED LEADING DIMENSIONS ARE INCHES DIMENSIONS IN [] ARE MILLIMETERS

TOLERANCES:
 X = ±.2 (5.08) FRACTIONS
 XX = ±.02 (0.51) ±.132
 XXX = ±.005 (0.13) ANGLES ± 1°

CABLE LENGTH (L) TOLERANCES:
 L ≤ 12 (305) = +1 (25) / -0
 12 (305) < L ≤ 60 (1524) = +2 (51) / -0
 60 (1524) < L ≤ 120 (3048) = +4 (102) / -0
 120 (3048) < L ≤ 300 (7620) = +6 (152) / -0
 300 (7620) < L = +5% / -0

ALL DIMENSIONS SHOWN ARE FOR REFERENCE ONLY.

THESE COMMODITIES, TECHNOLOGY OR SOFTWARE WERE EXPORTED FROM THE UNITED STATES IN ACCORDANCE WITH THE EXPORT ADMINISTRATION REGULATIONS. DIVERSION CONTRARY TO U.S. LAW PROHIBITED.

an INFINITE brand
 50 High Street, West Mill, 3rd Floor, Suite #30
 North Andover, MA 01845 USA
 Phone: 1.800.341.5266 | 1.978.682.6936
 Fax: 1.978.689.9484
 Website: www.L-com.com
 E-mail: CustomerService@L-com.com

ITEM NO. NBBWPC141206-100
 SCALE N/A
 SHEET 1 OF 1

THIRD-ANGLE PROJECTION
 THE INFORMATION AND DESIGN IN THIS DOCUMENT IS THE PROPERTY OF L-COM GLOBAL CONNECTIVITY. ALL RIGHTS RESERVED.