

## 12 VDC 18x16x8 Inch Weatherproof Enclosure with Mounting Plate

Model: NB181608-500

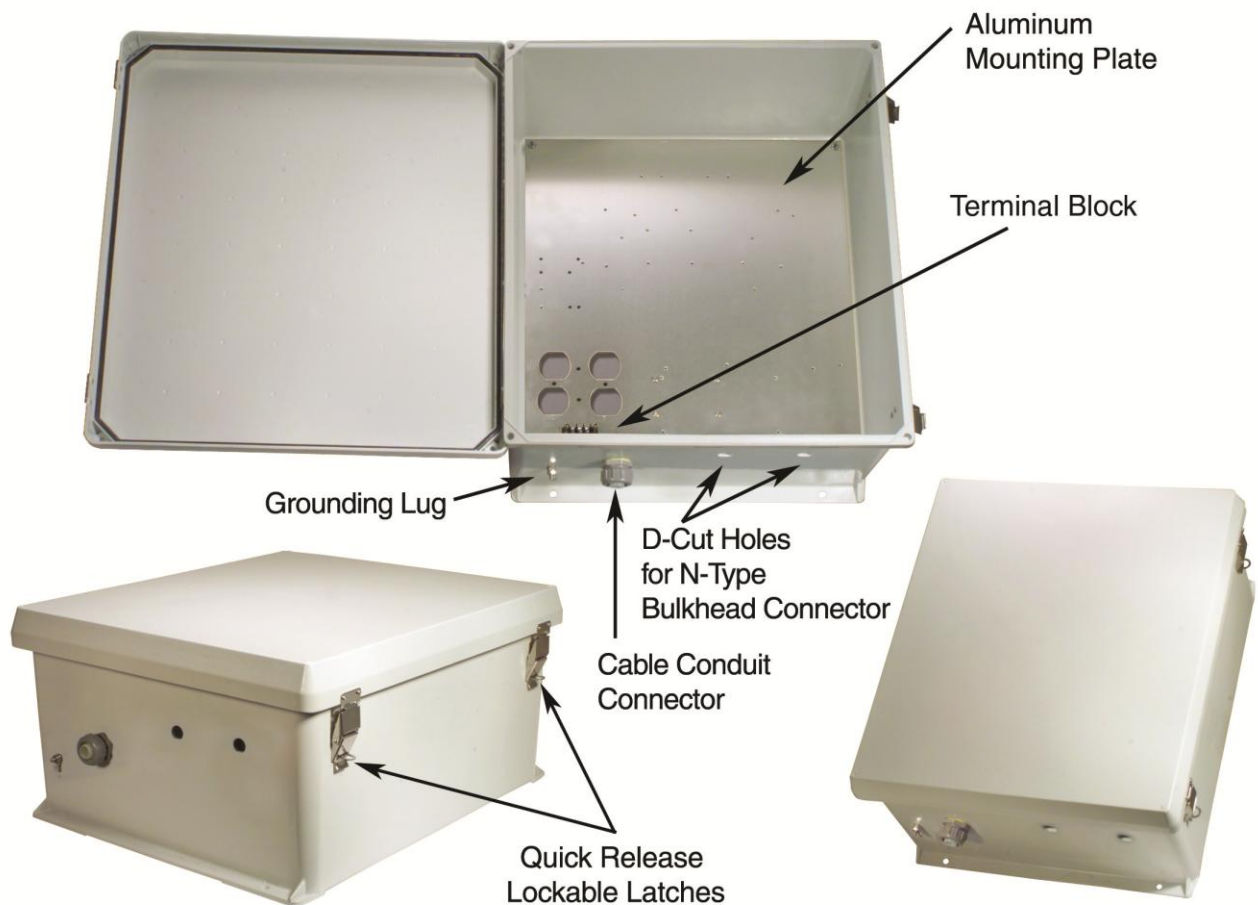
### Applications and Features

#### Features:

- Molded Fiberglass Reinforced Polyester (FRP) industrial Enclosure
- Stainless steel quick release latches with padlock hasps
- NEMA Type 4, 4X / IP66 rated
- Fully gasketed raised lid & integral mounting flange
- Features aluminum mounting plate with DC Terminal Block

#### Applications:

- Remote Wireless LAN WiFi equipment installations
- Rapid Deployment of Indoor and outdoor installations
- 12 VDC applications such as battery back-up, solar power and vehicle power
- Protection of equipment from theft or damage
- Hotspot applications



## Product Description

### Start with the Box...

The box is a rugged 18" x 16" x 8" weatherproof enclosure that is ideal for both indoor and outdoor applications. Constructed from molded fiberglass, it is well suited for high temperature or corrosive environments. The mounting flange allows it to be wall mounted as well as on a flat surface. The box can also be pole mounted with the optional pole mounting hardware kit. The fully gasketed lid features a stainless steel continuous hinge and stainless steel quick release latches with padlock hasps. The enclosure material is UV stabilized and comes in machine tool gray. The enclosure also features holes for mounting Lightning Protectors or Connectors, a grounding lug and ½" cable conduit connector.

Due to the large size of this enclosure, it can accommodate dual sets of most access points.

### Mounting Plate

The aluminum mounting plate included has provisions to mount WLAN equipment from Cisco®, Symbol®, D-Link®, HyperLink and more. With the optional HGX-AMOUNT02 bracket a wide array of HyperLink Power-Over-Ethernet products and Power Supplies can be mounted as well. Two of these brackets can be mounted side by side. Also available is the HGX-NMOUNT03 Universal Mounting Shelf that can be attached to the mounting plate and can accommodate additional equipment to be placed in the enclosure.

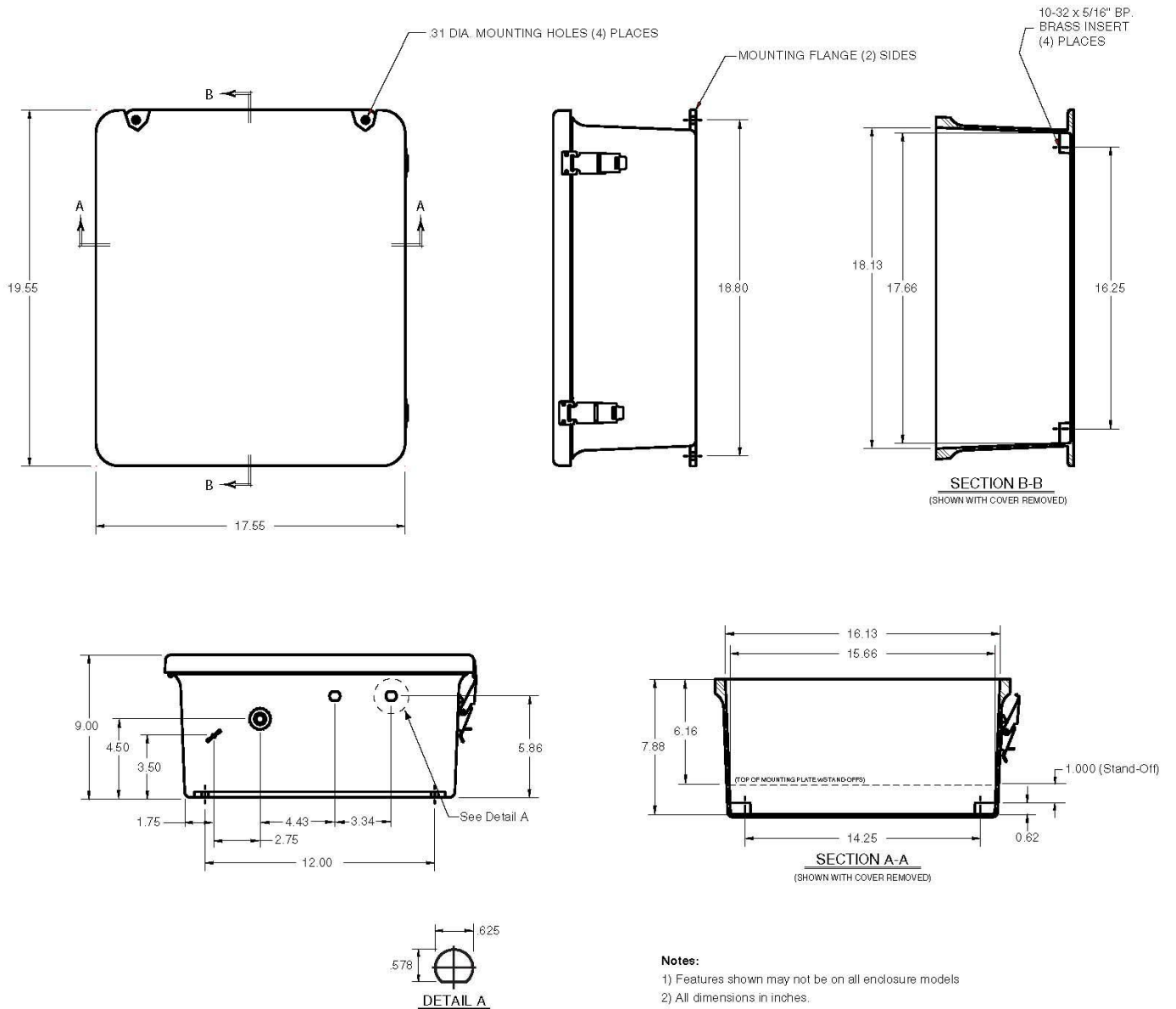
The mounting plate is wired for 0 to 60 VDC operation. It is ideal for use with 12 VDC Solar Powered applications, Battery Back-Up applications and 12 VDC Vehicle power.

## Specifications

<b>Enclosure Material</b>	Fiberglass Reinforced Polyester
<b>Enclosure Color</b>	Machine Tool Gray
<b>Voltage</b>	0 to 60 VDC
<b>Mounting Plate Material</b>	.10" (2.5mm) Thick Anodized Aluminum
<b>Mounting Plate Dimensions</b>	16.8 x 14.8 inches (42.6 x 37.5 cm)
<b>Weight</b>	19 lbs (8.6 kg)
<b>Outside Dimensions (max)</b>	19.5 x 17.5 x 9 inches (49.5 x 44.4 x 22.8 cm)
<b>Inside Dimensions</b>	17.7 x 15.7 x 8.5 inches (44.9 x 39.9 x 21.6 cm)
<b>Temperature Rating</b> (Depending on Equipment and Options)	-40° C to 43° C (-40° F to 110° F)
<b>Flame Rating</b>	UL 94-5V
<b>RoHS Compliant</b>	Yes
<b>Cable Feed</b>	1/2" Cable Conduit Connector
<b>Ratings*</b>	NEMA Type 4, 4X / IP66

\*Note: Enclosure ports (Cable conduit connector and N-type holes for lightning protectors or connectors) must be properly sealed to maintain NEMA Type 4, 4X / IP66 rating.

**Enclosure Dimensions**



**Mounting Plate Details**

