

## 14x12x7 Inch Universal 200-240 VAC Weatherproof Enclosure with Heating System Model: NB141207-EH0

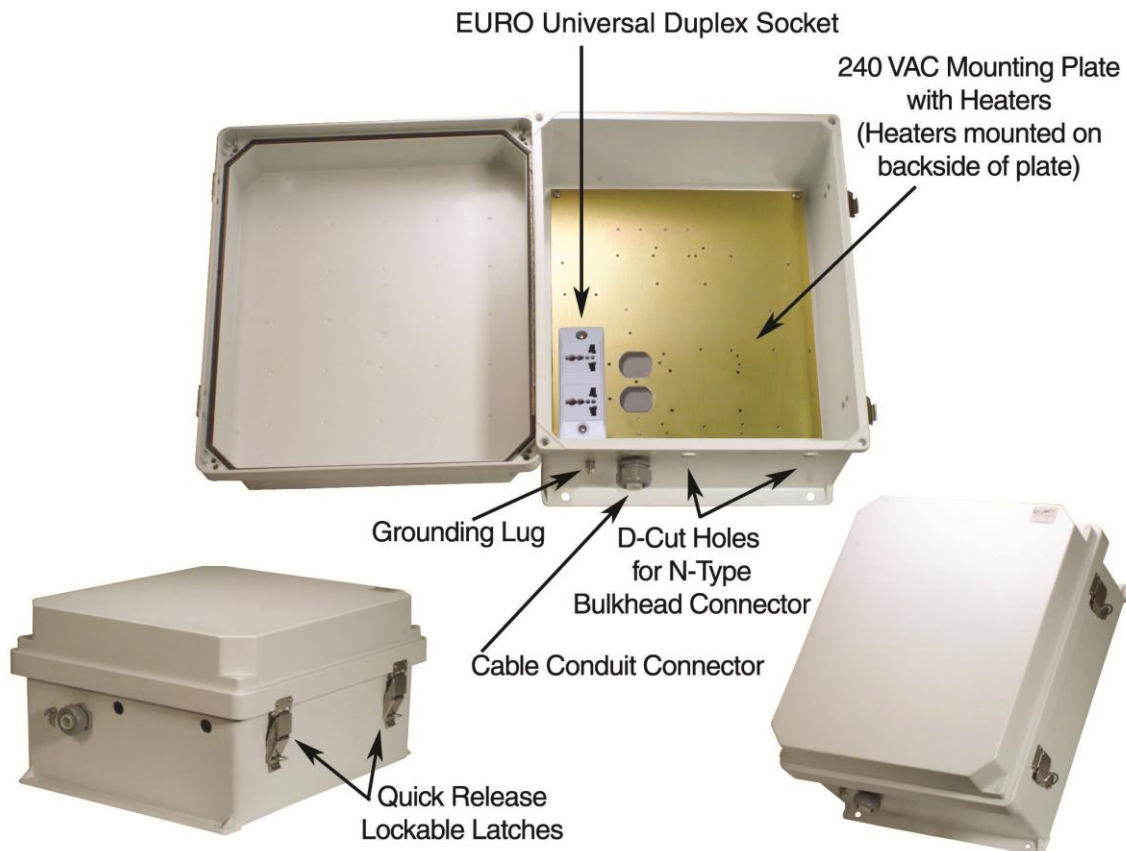
### Applications and Features

- Applications:**
- Remote Wireless LAN WiFi equipment installations
  - Indoor and outdoor installations
  - Cold temperature environments
  - Rapid Deployment Installations
  - Corrosive environments
  - Hotspot applications
  - Protection of equipment from theft or damage

**Features:**



- Molded fiberglass reinforced polyester (FRP) enclosure
- Stainless steel quick release latches with padlock hasps
- Fully gasketed raised lid
- Integral mounting flange
- NEMA Type 3R / IP42 rated
- RoHS Compliant
- Features aluminum mounting plate
- Thermostat-controlled Heating System
- Universal duplex socket for 200-240 VAC power
- Mounting plate can accommodate WLAN equipment from Cisco®, Symbol®, D-Link®, HyperLink and more.
- Optional universal equipment shelf and mounting brackets available
- Fully customized configurations available



## Product Description

**Start with the Box...** The box is a rugged weatherproof enclosure that is ideal for both indoor and outdoor applications. Constructed from molded fiberglass reinforced polyester, it is well suited for high temperature or corrosive environments. The mounting flange allows it to be wall mounted as well as on a flat surface. The raised lid features a stainless steel continuous hinge and stainless steel quick release latches with padlock hasps. The raised lid has a full edge gasket. The enclosure material is UV stabilized and comes in machine tool gray.

**Mounting Plate...** The aluminum mounting plate has provisions to mount WLAN equipment from Cisco®, Symbol®, D-Link®, HyperLink and more. With the optional HGX-AMOUNT02 bracket a wide array of HyperLink Power-Over-Ethernet products and Power Supplies can be mounted as well. Two of these brackets can be mounted side by side. Also available is the HGX-NMOUNT03 Universal Mounting Shelf that can be attached to the mounting plate and can accommodate additional equipment to be placed in the enclosure. The plate features two 200-240 VAC Universal EURO outlets (contained in one duplex socket) and a terminal strip to supply power to internal equipment.

### Cold Environments

To help ensure trouble-free operation of electronic equipment, proper operating temperatures inside an enclosure needs to be maintained. With the built-in heating system, internal temperatures can be better maintained. This model is ideal in cold environments.

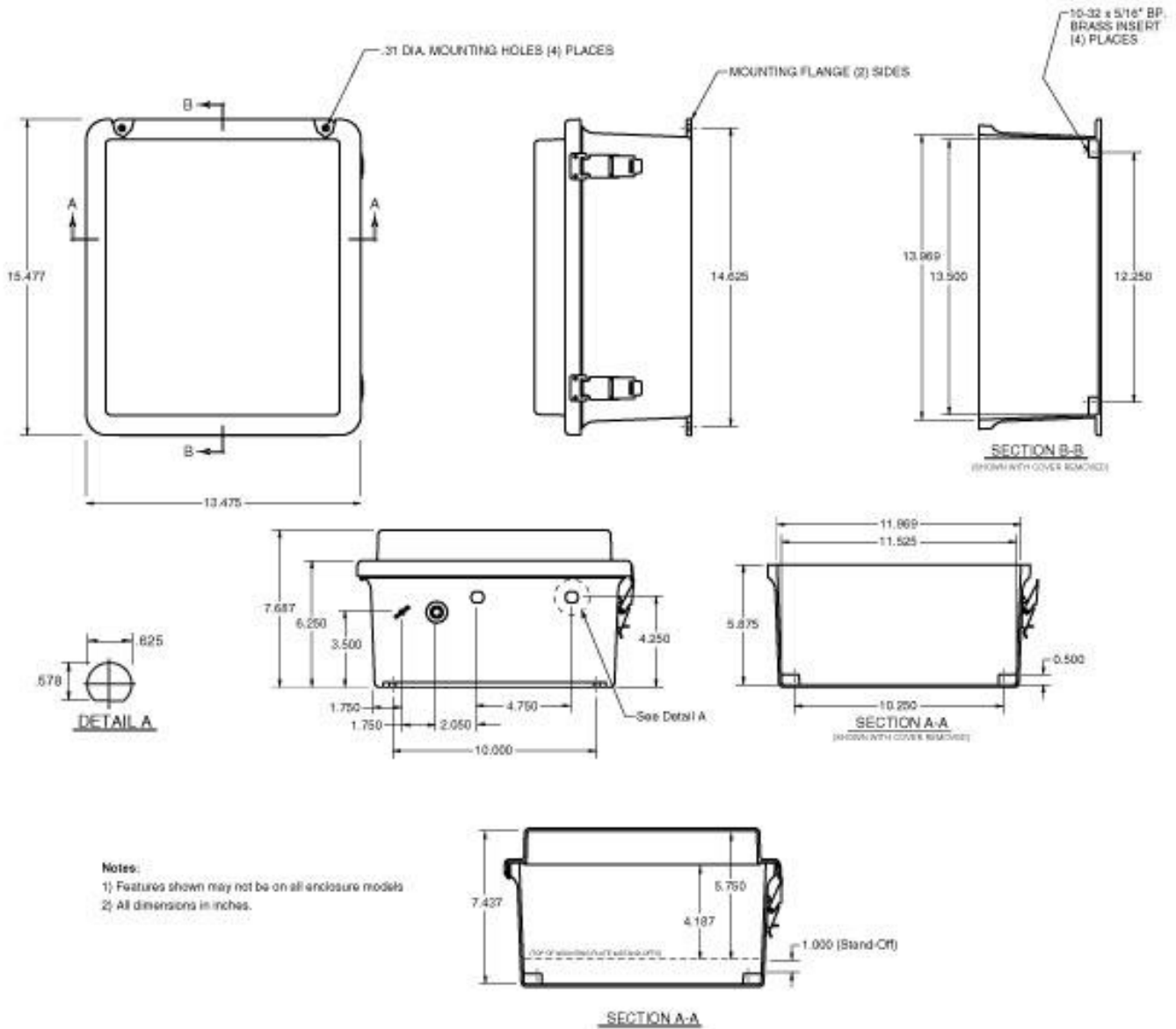
The NB141207-EH0 includes a 200-240V thermostat-controlled 200W heater. The 200W heater is controlled by its own thermostat. The heater turns on when the internal temperature drops to 40° F (4° C) ±7° and turns off at 60° F (15° C) ±5°. No extra room for the heater is required since it is mounted underneath the plate.

**Lightning Protection...** In addition, the unit can accept up to two optional bulkhead-mount N-Type lightning protectors to protect the coaxial cable runs. Mounted to the optional HGX-AMOUNT02 bracket, the HGLN-CAT5 lightning protector can be used with Power-over-Ethernet applications.

## Specifications

<b>Enclosure Material</b>	Fiberglass Reinforced Polyester
<b>Enclosure Color</b>	Machine Tool Gray
<b>Voltage</b>	200-240 VAC
<b>Heater Power</b>	200 Watts
<b>Weight</b>	13.3 lbs (6.0 kg)
<b>Mounting Plate Material</b>	.10" (2.5mm) Thick Anodized Aluminum
<b>Mounting Plate Dimensions</b>	12.7 x 10.8 inches (32.2 x 27.4 cm)
<b>Outside Dimensions (max)</b>	15.5 x 13.5 x 8.7 inches (39.3 x 34.2 x 22 cm)
<b>Inside Dimensions</b>	13.5 x 11.5 x 5.8 inches (34.3 x 29.2 x 14.7 cm)
<b>Flame Rating</b>	UL 94-5V
<b>RoHS Compliant</b>	Yes
<b>Cable Feed</b>	1/2" Cable Conduit Connector
<b>Ratings</b>	NEMA 3R / IP42

**Enclosure Dimensions**



**Notes:**  
 1) Features shown may not be on all enclosure models  
 2) All dimensions in inches.