

14x12x7 Inch Universal 120-240 VAC Weatherproof Enclosure with Mounting Plate Model: NB141207-E00

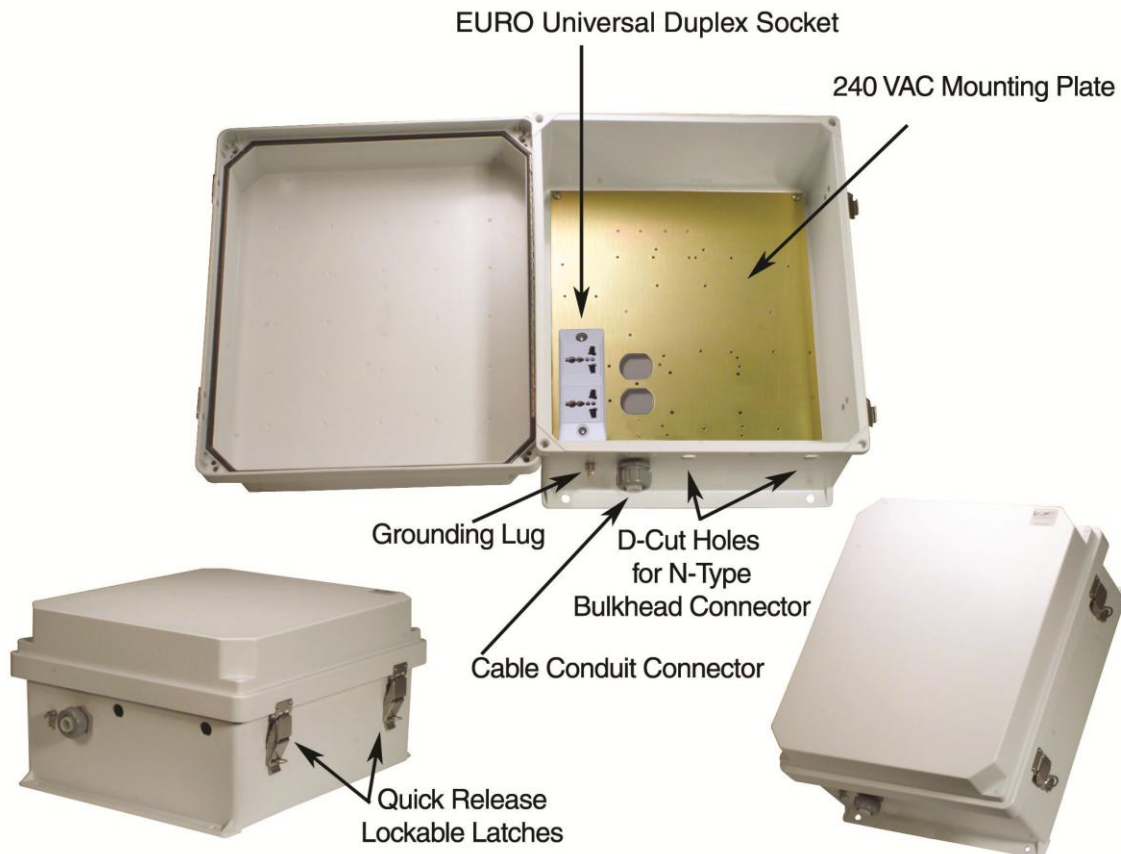
Applications and Features

- Applications:**
- Remote Wireless LAN WiFi equipment installations
 - Indoor and outdoor installations
 - Hot temperature environments
 - Rapid Deployment Installations
 - Corrosive environments
 - Hotspot applications
 - Protection of equipment from theft or damage

Features:



- Molded fiberglass reinforced polyester (FRP) industrial enclosure
- Stainless steel quick release latches with padlock hasps
- Fully gasketed raised lid
- Integral mounting flange
- NEMA Type 4X / IP56 rated
- RoHS Compliant
- Features aluminum mounting plate
- Universal duplex socket for 120-240 VAC power
- Mounting plate can accommodate WLAN equipment from Cisco®, Symbol®, D-Link®, HyperLink and more.
- Optional universal equipment shelf and mounting brackets available
- Fully customized configurations available



Product Description

Start with the Box... The box is a rugged weatherproof enclosure that is ideal for both indoor and outdoor applications. Constructed from molded fiberglass reinforced polyester, it is well suited for high temperature or corrosive environments. The mounting flange allows it to be wall mounted as well as on a flat surface. The raised lid features a stainless steel continuous hinge and stainless steel quick release latches with padlock hasps. The raised lid has a full edge gasket. The enclosure material is UV stabilized and comes in machine tool gray.

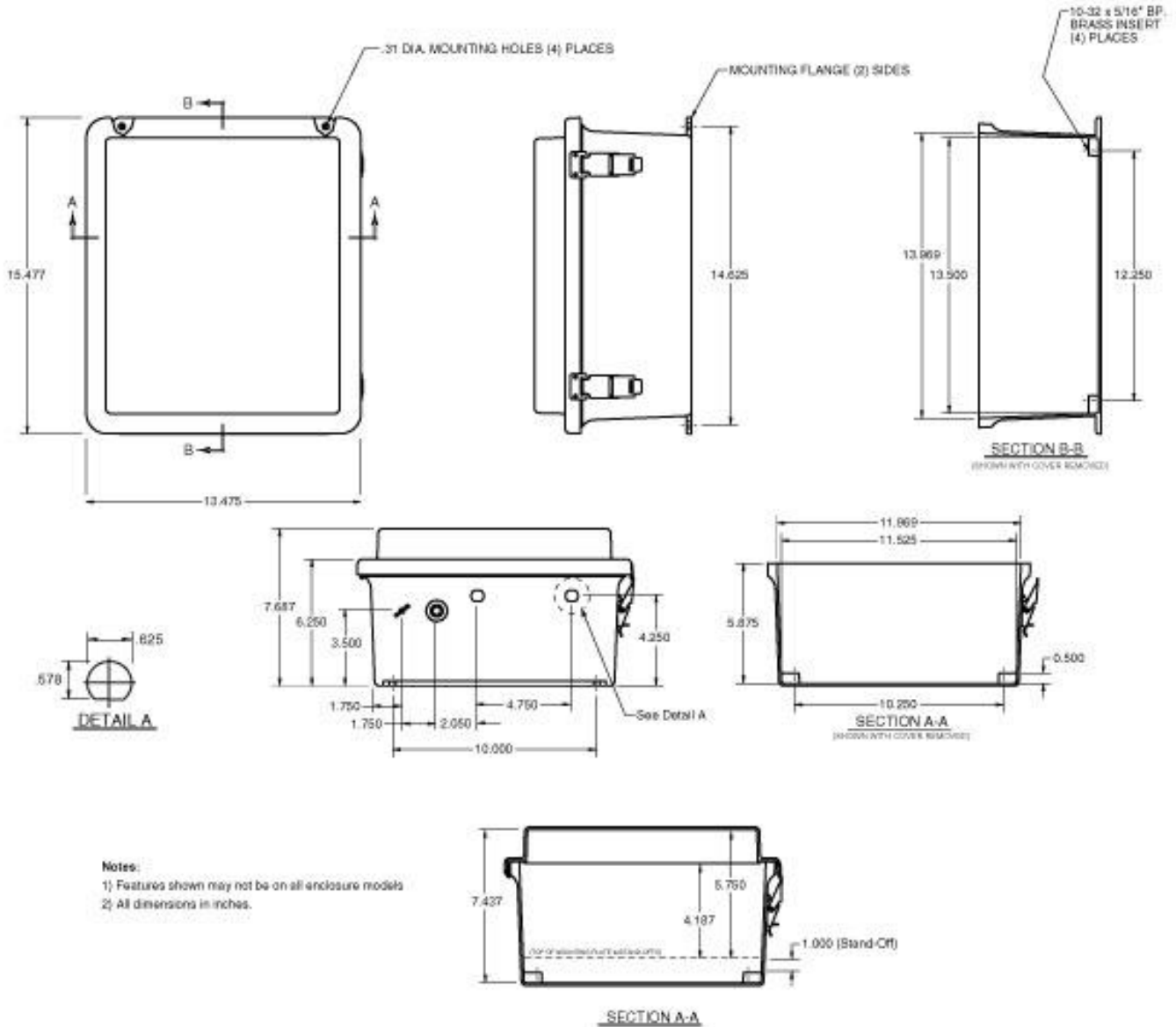
Mounting Plate... The aluminum mounting plate has provisions to mount WLAN equipment from Cisco®, Symbol®, D-Link®, HyperLink and more. With the optional HGX-AMOUNT02 bracket a wide array of HyperLink Power-Over-Ethernet products and Power Supplies can be mounted as well. Two of these brackets can be mounted side by side. Also available is the HGX-NMOUNT03 Universal Mounting Shelf that can be attached to the mounting plate and can accommodate additional equipment to be placed in the enclosure. The plate features two 120-240 VAC Universal EURO outlets (contained in one duplex socket) and a terminal strip to supply power to internal equipment.

Lightning Protection... In addition, the unit can accept up to two optional bulkhead-mount N-Type lightning protectors to protect the coaxial cable runs. Mounted to the optional HGX-AMOUNT02 bracket, the HGLN-CAT5 lightning protector can be used with Power-over-Ethernet applications.

Specifications

Enclosure Material	Fiberglass Reinforced Polyester
Enclosure Color	Machine Tool Gray
Voltage	120-240 VAC
Weight	13.3 lbs (6.0 kg)
Mounting Plate Material	.10" (2.5mm) Thick Anodized Aluminum
Mounting Plate Dimensions	12.7 x 10.8 inches (32.2 x 27.4 cm)
Outside Dimensions (max)	15.5 x 13.5 x 8.7 inches (39.3 x 34.2 x 22 cm)
Inside Dimensions	13.5 x 11.5 x 5.8 inches (34.3 x 29.2 x 14.7 cm)
Flame Rating	UL 94-5V
RoHS Compliant	Yes
Cable Feed	1/2" Cable Conduit Connector
Ratings	NEMA 4X / IP56

Enclosure Dimensions



Notes:
 1) Features shown may not be on all enclosure models
 2) All dimensions in inches.