

12 VDC 14x12x7 Inch Weatherproof Enclosure with Mounting Plate Model: NB141207-500

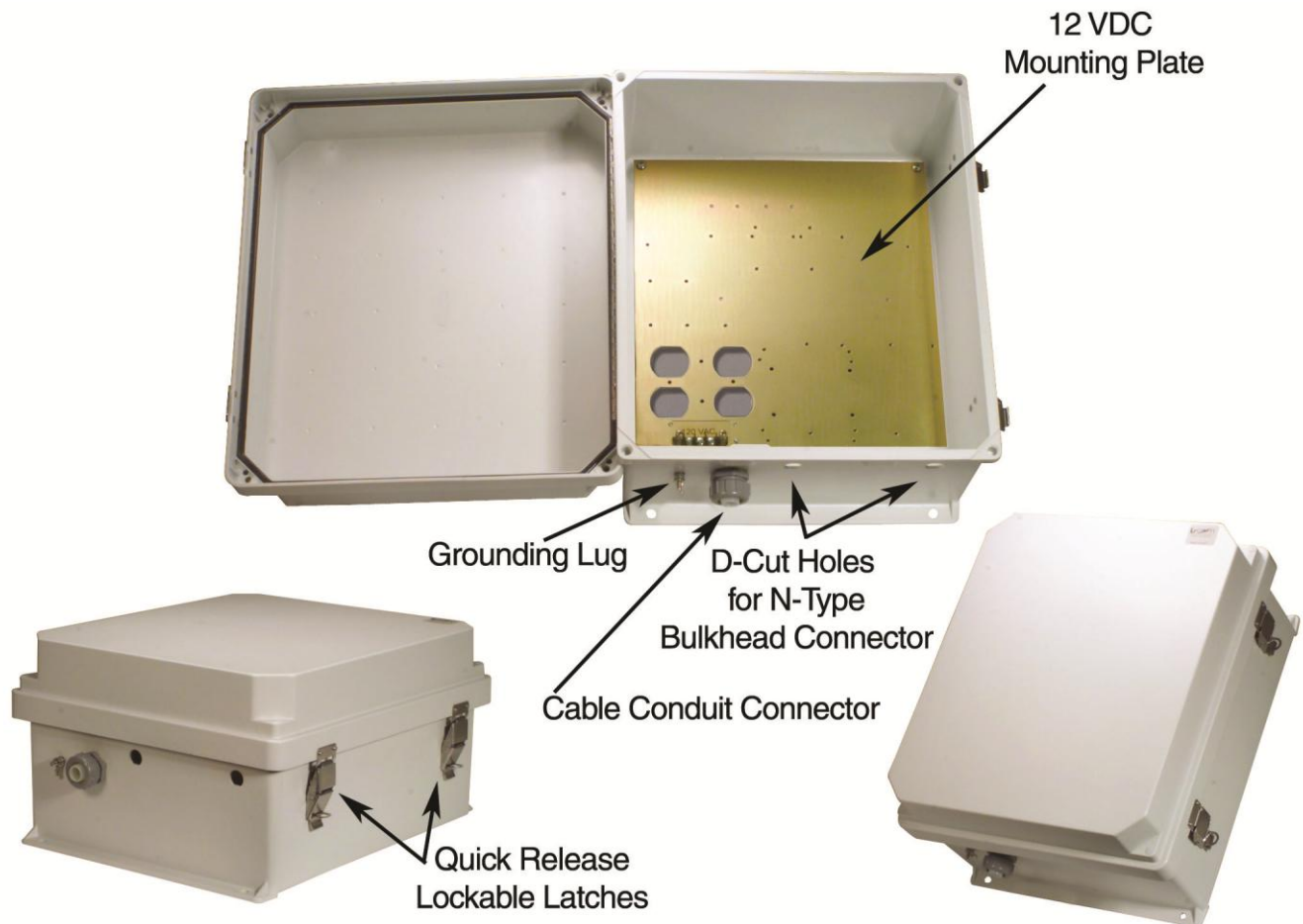
Applications and Features

Features:

- Molded Fiberglass Reinforced Polyester (FRP) industrial Enclosure
- Stainless steel quick release latches with padlock hasps
- NEMA Type 4, 4X / IP66 rated
- Fully gasketed raised lid & integral mounting flange
- Features aluminum mounting plate with DC Terminal Block

Applications:

- Remote Wireless LAN WiFi equipment installations
- Rapid Deployment of Indoor and outdoor installations
- 12 VDC applications such as battery back-up, solar power and vehicle power
- Protection of equipment from theft or damage
- Hotspot applications



Product Description

Start with the Box...

The box is a rugged weatherproof enclosure that is ideal for both indoor and outdoor applications. Constructed from molded fiberglass reinforced polyester, it is well suited for high temperature or corrosive environments. The mounting flange allows it to be wall mounted as well as on a flat surface. The raised lid features a stainless steel continuous hinge and stainless steel quick release latches with padlock hasps. The raised lid is fully gasketed. The enclosure material is UV stabilized and comes in machine tool gray.

Mounting Plate

The aluminum mounting plate has provisions to mount WLAN equipment from Cisco®, Symbol®, D-Link®, HyperLink and more. With the optional HGX-AMOUNT02 bracket a wide array of HyperLink Amplifiers, Power-Over-Ethernet products and Power Supplies can be mounted as well. Two of these brackets can be mounted side by side. Also available is the HGX-NMOUNT03 Universal Mounting Shelf that can be attached to the mounting plate and can accommodate additional equipment to be placed in the enclosure.

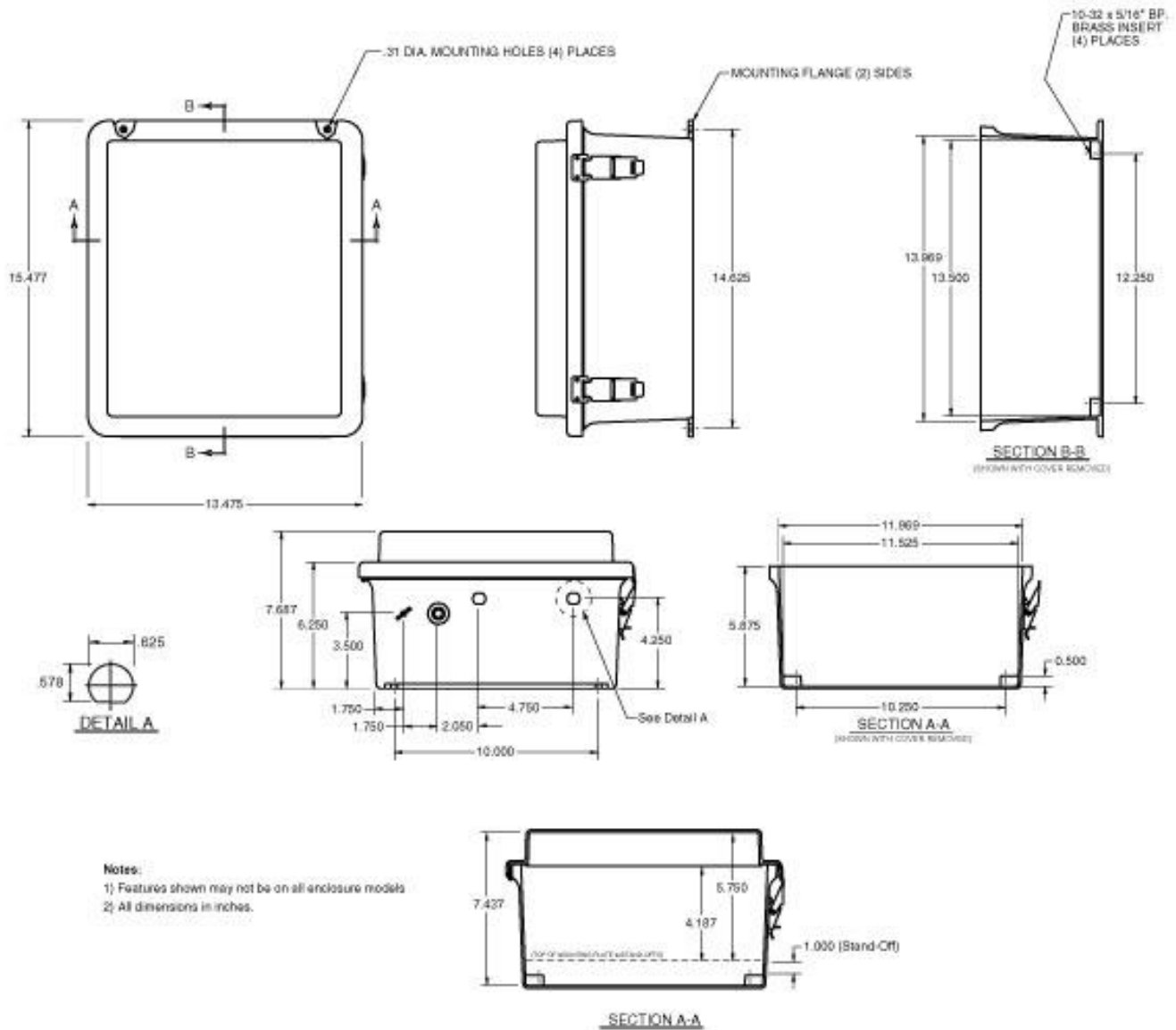
The mounting plate is wired for 0 to 60 VDC operation. It is ideal for use with 12 VDC Solar Powered applications, Battery Back-Up applications and 12 VDC Vehicle power.

Specifications

Enclosure Material	Fiberglass Reinforced Polyester
Enclosure Color	Machine Tool Gray
Voltage	12 VDC
Mounting Plate Material	.10" (2.5mm) Thick Anodized Aluminum
Mounting Plate Dimensions	12.7 x 10.8 inches (32.2 x 27.4 cm)
Weight	10.6 lbs (4.8 kg)
Outside Dimensions (max)	15.5 x 13.5 x 7.7 inches (39.3 x 34.2 x 19.5 cm)
Inside Dimensions	13.5 x 11.5 x 5.8 inches (34.3 x 29.2 x 14.7 cm)
Flame Rating	UL 94-5V
RoHS Compliant	Yes
Cable Feed	1/2" Cable Conduit Connector
Ratings*	NEMA Type 4, 4X / IP66

*Note: Enclosure ports (Cable conduit connector and N-type holes for lightning protectors or connectors) must be properly sealed to maintain NEMA Type 4, 4X / IP66 rating.

Enclosure Dimensions



Notes:
 1) Features shown may not be on all enclosure models
 2) All dimensions in inches.

Mounting Plate Dimensions

