



Data Surge Protector, Indoor, Gigabit Ethernet PoE++ Shielded RJ45

Data Surge Protection Device Technical Data Sheet

LPXTRJ45-GBPOE++

Features

- Passes and Protects Data and DC Power
- Shielded RJ-45 Connectivity
- DIN-Rail Mount or Wall Mount
- Compact Form Factor

Applications

- Ethernet Lines
- Power over Ethernet Devices
- WISP/ISP
- IT & Data Centers

Description

Data surge protector (also known as SPD or lightning protector) LPXTRJ45-GBPOE++ from L-com, is an Indoor style SPD that utilizes state of the art GDT, SASD technology to protect critical equipment in 10/100/1000Base-T IEEE 802.3bt protocol data networks, while remaining transparent to data throughput and passing DC power through. This surge protector provides effective protection against electrical transient surges that are generated both by external lightning events and by internal switching events, and supports long-term system reliability by safely shunting high amounts of transient energy while maintaining a very low clamping voltage. L-com data surge protectors are available in stock with same day shipping.

Electrical Specifications

Description	Minimum	Typical	Maximum	Units
Connectors		Shielded RJ45		
Compatible Cables		Cat5/5e UTP/STP, Cat6/6A STP, Cat7 STP		
Data Protocols		10/100/1000Base-T		
Data Rate			1,000	Mb/s
Characteristic Impedance			100	Ohms
Capacitance (Differential)			15	pF
Capacitance (Common)			3	pF
Power over Ethernet Protocols		IEEE 802.3bt		
Vdc Rating (Data)		48	60	Vdc
PoE Power			100	W
PoE Current Per Pin			1.5	A

Surge Protection Specification

Description	Minimum	Typical	Maximum	Units
Surge Protection Technology		GDT, SASD		
Protected Pins		[1,2], [3,6], [4,5], [7,8], [S]		
Protection Modes		L-G, L-L, S-G		
10/1000 μ s Surge Current				
L-G			100	A



an INFINIT® brand

Data Surge Protector, Indoor, Gigabit Ethernet PoE++ Shielded RJ45



Data Surge Protection Device Technical Data Sheet

LPXTRJ45-GBPOE++

L-L	100	A
S-G	100	A
8/20µs Surge Current		
L-G	2	kA
L-L	2	kA
S-G	20	kA
Response Time		
	5	ns

Mechanical Specifications

Size

Height	0.94 in	[23.88 mm]
Width	0.97 in	[24.64 mm]
Depth	3.67 in	[93.22 mm]
Weight	0.2 lbs	[90.72 g]

Environmental Specifications

Operating Temperature	-40 to +75 deg C
Storage Temperature	-40 to +75 deg C

Mount Type	Wall, Din, Rack
Installation Hardware	Ground Clip, 4-40 PH Phillips Screw, #4 Split Lock Washer
Grounding	DIN Clip

Compliance Certifications

RoHS Compliant	Yes
CE Compliant	Yes

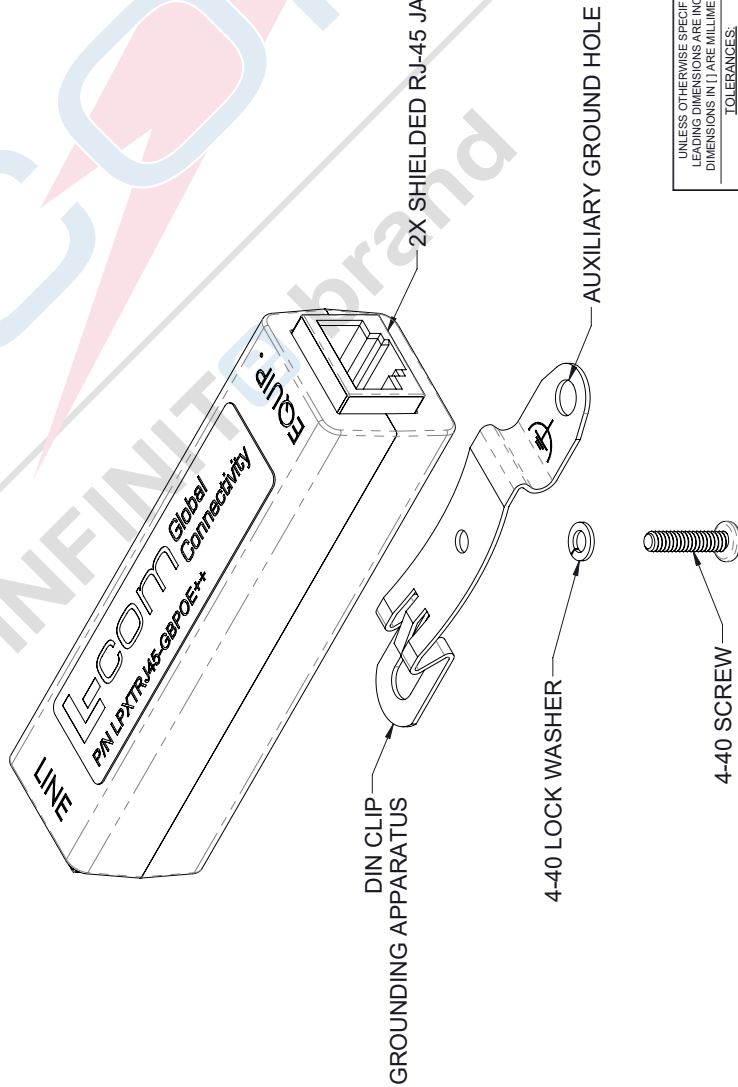
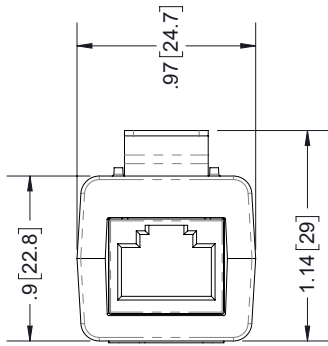
Our portfolio includes coaxial cable assemblies, connectors, adapters and custom products as well as lightning and surge protectors, NEMA rated enclosures, and an RF product line which includes antennas, amplifiers, passive, and active components.

The information contained in this document is accurate to the best of our knowledge and representative of the part described herein. It may be necessary to make modifications to the part and/or the documentation of the part, in order to implement improvements. L-com reserves the right to make such changes as required. Unless otherwise stated, all specifications are nominal. L-com does not make any representation or warranty regarding the suitability of the part described herein for any particular purpose, and L-com does not assume any liability arising out of the use of any part or documentation.

LPXTRJ45-GBPOE++ CAD Drawing

Data Surge Protector, Indoor, Gigabit Ethernet PoE++ Shielded RJ45

REVISIONS			
REV.	DESCRIPTION	DATE	APPROVED
A	INITIAL RELEASE	9/9/19	DWR



UNLESS OTHERWISE SPECIFIED
LEADING DIMENSIONS ARE IN INCHES
DIMENSIONS IN [] ARE IN MILLIMETERS

TOLERANCES:
 .X±.2 [5.08] FRACTIONS ± 1/32
 .XX±.01 [.25] ANGLES ± 1°
 XXX±.005 [.13]

ALL DIMENSIONS SHOWN
ARE FOR REFERENCE ONLY.
THRU-ANGLE PROJECTION

THE INFORMATION AND DESIGN IN THIS DOCUMENT IS THE PROPERTY OF L-COM GLOBAL CONNECTIVITY. ALL RIGHTS RESERVED.

L-com
an INFINITT brand
50 High Street, West Mill, 3rd Floor, Suite #30
North Andover, MA 01845 USA
Phone: 1.800.341.5266 | 1.978.682.6936
Fax: 1.978.689.9484
www.L-com.com | e-mail: CustomerService@L-com.com

SIZE: A CAGE: 43321 DRAWN BY: DPM PART NUMBER: LPXTRJ45-GBPOE++ REV: A

SHEET 1 OF 1 SCALE 1:1

THESE COMMODITIES, TECHNOLOGY OR SOFTWARE WERE EXPORTED FROM THE UNITED STATES IN ACCORDANCE WITH THE EXPORT ADMINISTRATION REGULATIONS. DIVERSION CONTRARY TO U.S. LAW PROHIBITED.