



**4.3-10 M/F In/Out Bulkhead RF Coaxial Surge Protector 698MHz
- 2.7GHz DC Block 500W IP67 40kA Filter Low PIM -173 dBc**

RF Surge Protectors Technical Data Sheet

LCSP1060

Features

- Surge current of 40kA
- Max Power 500W
- Frequency range from 698 MHz to 2.7 GHz
- Waterproof IP67 rated
- 4.3-10 male connector to 4.3-10 female connector
- DC Block
- Low PIM
- VSWR <1.1:1
- Low insertion loss
- CE & RoHS compliant

Applications

- Cellular communication systems
- Public safety systems
- Emergency response systems
- Industrial

Description

RF surge protector (also known as lightning arrester) LCSP1060 from L-COM utilizing a patented spiral inductor design enables an almost instantaneous response to a lightning surge to protect critical hardware while maintaining the RF performance. This RF surge protector component is manufactured in a coaxial in-line design with wide operating frequency range. All L-COM RF surge protector products are available in stock with same day shipping.

Electrical Specifications

Surge Protector Type
DC Handling

Surge Filter
DC Block

| Description | Minimum | Typical | Maximum | Units |
|---|---------|---------|---------|-------|
| Frequency Range | 0.698 | | 2.7 | GHz |
| Impedance | | 50 | | Ohms |
| VSWR | | | 1.1:1 | |
| Return Loss | | | 26 | dB |
| Insertion Loss | | | 0.1 | dB |
| Passive Intermodulation | | | -173 | dBc |
| Input Power, CW 500W @ 920MHz 750W @ 50°C | | | 500 | Watts |
| Surge Current IEC 61000-4-5 8/20µs WAVEFORM | | | 40 | kAmps |
| Throughput Energy FOR 3kA@ 8/20µs WAVEFORM | | | 0.5 | µJ |

Click the following link (or enter part number in "SEARCH" on website) to obtain additional part information including price, inventory and certifications: [4.3-10 M/F In/Out Bulkhead RF Coaxial Surge Protector 698MHz - 2.7GHz DC Block 500W IP67 40kA Filter Low PIM -173 dBc LCSP1060](#)



4.3-10 M/F In/Out Bulkhead RF Coaxial Surge Protector 698MHz
- 2.7GHz DC Block 500W IP67 40kA Filter Low PIM -173 dBc

RF Surge Protectors Technical Data Sheet

LCSP1060

Mechanical Specifications

Configuration

Input Connector
Output Connector

4.3-10 Male
4.3-10 Female

Environmental Specifications

Temperature

Operating Range
Ingress Protection (IP) Rating

-50 to 85 deg C
IP 67

Compliance Certifications (see [product page](#) for current document)

Plotted and Other Data

Notes:

Our portfolio includes cable assemblies, connectors, adapters and custom products, as well as their wireless product line which includes antennas, RF amplifiers, coaxial lightning and surge protectors, and NEMA rated enclosures.

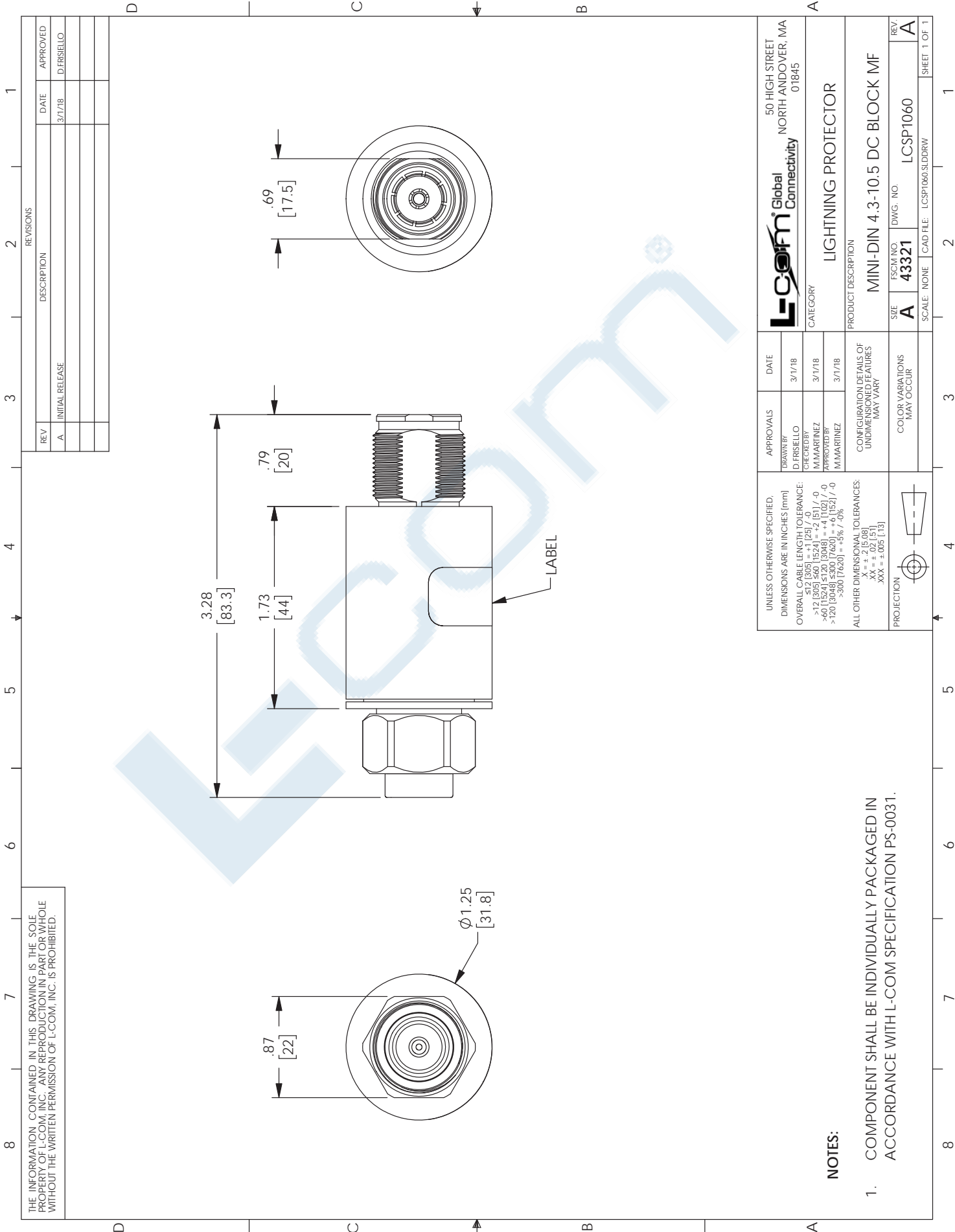
Click the following link (or enter part number in "SEARCH" on website) to obtain additional part information including price, inventory and certifications: [4.3-10 M/F In/Out Bulkhead RF Coaxial Surge Protector 698MHz - 2.7GHz DC Block 500W IP67 40kA Filter Low PIM -173 dBc LCSP1060](#)

URL:

The information contained in this document is accurate to the best of our knowledge and representative of the part described herein. It may be necessary to make modifications to the part and/or the documentation of the part, in order to implement improvements. L-com reserves the right to make such changes as required. Unless otherwise stated, all specifications are nominal. L-com does not make any representation or warranty regarding the suitability of the part described herein for any particular purpose, and L-com does not assume any liability arising out of the use of any part or documentation.

LCSP1060 CAD Drawing

4.3-10 M/F In/Out Bulkhead RF Coaxial Surge Protector 698MHz -
2.7GHz DC Block 500W IP67 40kA Filter Low PIM -173 dBc



THE INFORMATION CONTAINED IN THIS DRAWING IS THE SOLE PROPERTY OF L-COM, INC. ANY REPRODUCTION IN PART OR WHOLE WITHOUT THE WRITTEN PERMISSION OF L-COM, INC. IS PROHIBITED.

| REV | DESCRIPTION | DATE | APPROVED |
|-----|-----------------|--------|--------------|
| A | INITIAL RELEASE | 3/7/18 | D. FRISIELLO |
| | | | |
| | | | |

| | | | |
|--|--------------------------|--|------------------------------------|
| L-com Global Connectivity 50 HIGH STREET NORTH ANDOVER, MA 01845 | | APPROVALS DRAWN BY: D. FRISIELLO CHECKED BY: M. MARINEZ APPROVED BY: M. MARINEZ | DATE 3/7/18 3/7/18 3/7/18 |
| CATEGORY LIGHTNING PROTECTOR | | CONFIGURATION DETAILS OF UNDIMENSIONED FEATURES MAY VARY | |
| SIZE A | ESCM NO. 43321 | DWG. NO. LCSP1060 | REV. A |
| SCALE: NONE CAD FILE: LCSP1060.SLDDRW | | SHEET 1 OF 1 | |

- NOTES:**
- COMPONENT SHALL BE INDIVIDUALLY PACKAGED IN ACCORDANCE WITH L-COM SPECIFICATION PS-0031.