

2W/3 dB Fixed Attenuator, BNC Male to BNC Female  
Brass Tri-Metal Body Up to 4 GHz



**LCAT7437-3**

**Features**

- DC to 4 GHz Frequency Range
- Attenuation 3 dB Typical
- Max Power 2 Watts (CW)
- VSWR < 1.25:1
- 50 Ohm Impedance

**Applications**

- Wireless
- Video Signal Transmission
- Radar Systems
- Test and Measurement
- Commercial and Military Communication
- Avionics

**Description**

L-com carries a wide range of fixed attenuators with a broad selection of attenuation levels and frequency ranges. RF fixed attenuators lower the amplitude of a signal (attenuate) by specific amount and can be used in a wide variety of applications. These attenuators are used when signal levels need to be reduced to protect measurement equipment or other circuitry, to extend the range of power meters and amplifiers, and to impedance match circuits by reducing the VSWR seen by adjacent components. RF attenuators can prevent signal overload in amplifiers, receivers and detectors, adjusting the signal level to optimal power range.

Few RF components are as commonly used as fixed coaxial attenuators, and L-com carries one of the largest in-stock varieties and ships them same day. The 3 dB Fixed Attenuator LCAT7437-3 is rated to 2 Watts and operates from DC to 4 GHz. The versatile coaxial package uses BNC male to BNC female connectors.

**Electrical Specifications**

Description	Minimum	Typical	Maximum	Units
Frequency Range	DC		4	GHz
Impedance		50		Ohms
Nominal Attenuation		3		dB
Attenuation Accuracy		0.3		dB
VSWR			1.25:1	
Input Power, CW			2	Watts

**Mechanical Specifications**

**Size**

Length	2.087 in [53.01 mm]
Width/Diameter	0.571 in [14.5 mm]
Height	0.571 in [14.5 mm]
Weight	0.057 lbs [25.85 g]
Body Material and Plating	Brass, Tri-Metal

**Configuration**

Design	Fixed
--------	-------

**Connectors**

Description	Connector 1	Connector 2
Type	BNC Male	BNC Female

2W/3 dB Fixed Attenuator, BNC Male to BNC Female Brass Tri-Metal Body Up to 4 GHz



**LCAT7437-3**

**Connectors**

Description	Connector 1	Connector 2
Contact Material and Plating	Phosphor Bronze, Gold	Phosphor Bronze, Gold
Coupling Nut Material and Plating	Stainless Steel	
Body Material and Plating	Brass, Tri-Metal	Brass, Tri-Metal

**Environmental Specifications**

**Temperature**

Operating Range -55 to +125 deg C

**Compliance Certifications** (see [product page](#) for current document)

**Plotted and Other Data**

Notes:

**Typical Performance Data**

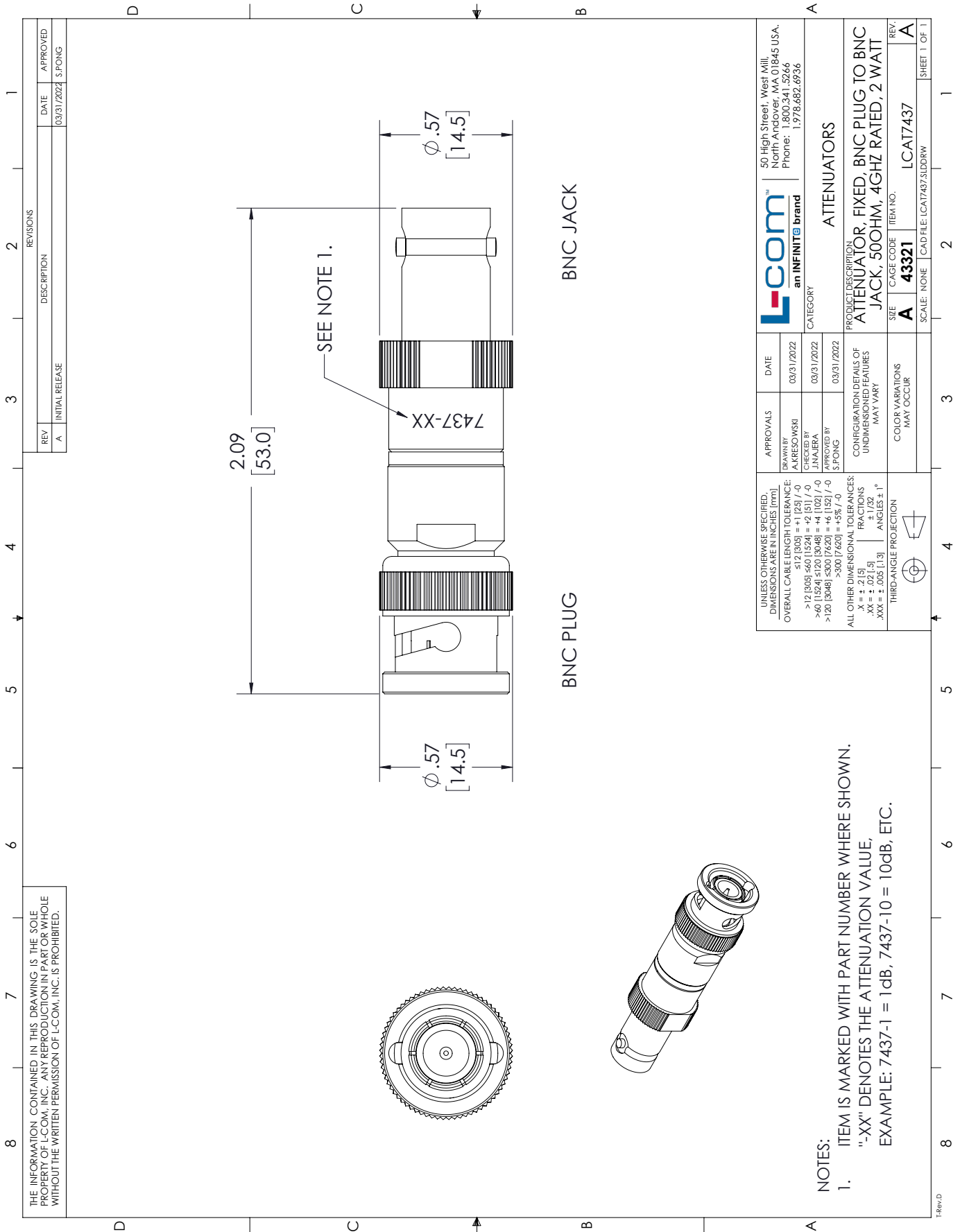
2W/3 dB Fixed Attenuator, BNC Male to BNC Female Brass Tri-Metal Body Up to 4 GHz from L-com has same day shipment for domestic and International orders. Our portfolio includes coaxial cable assemblies, connectors, adapters and custom products as well as lightning and surge protectors, NEMA rated enclosures, and an RF product line which includes antennas, amplifiers, passive, and active components.

URL: <https://www.l-com.com/3db-50ohm-fixed-attenuator-bnc-plug-bnc-jack-4ghz-rated-2-watt-lcat7437-3-p.aspx>

The information contained within this document is accurate to the best of our knowledge and representative of the part described herein. It may be necessary to make modifications to the part and/or the documentation of the part in order to impliment improvements. L-com reserves the right to make such changes as required. Unless otherwise stated, all specifications are nominal. L-com does not make any representation or warranty regarding the suitability of the part described herein for any particular purpose, and L-com does not assume liability arising out of the use of any part or document.

# LCAT7437-3 CAD Drawing

2W/3 dB Fixed Attenuator, BNC Male to BNC Female Brass Tri-Metal Body Up to 4 GHz



THE INFORMATION CONTAINED IN THIS DRAWING IS THE SOLE PROPERTY OF L-COM, INC. ANY REPRODUCTION IN PART OR WHOLE WITHOUT THE WRITTEN PERMISSION OF L-COM, INC. IS PROHIBITED.

UNLESS OTHERWISE SPECIFIED, DIMENSIONS ARE IN INCHES [mm] OVERALL CABLE LENGTH TOLERANCE: <math>\le 12 [305]</math> $\pm 0.125 [3.175]</math> / -0                 <math>> 12 [305]</math> \pm 0.1524 [3.865]</math> / -0                 <math>> 60 [1524]</math> \pm 0.20 [5.08]</math> / -0                 <math>> 120 [3048]</math> \pm 0.30 [7.62]</math> / -0                 ALL OTHER DIMENSIONAL TOLERANCES:                 .X = \pm 0.2 [5.08]</math> / -0                 .XX = \pm 0.02 [0.508]</math> / -0                 .XXX = \pm 0.05 [1.27]</math> / -0                 FRACTIONS: \pm 1/32</math>                 ANGLES: \pm 1^\circ</math>                 THIRD-ANGLE PROJECTION             $		APPROVALS DRAWN BY: A.KRESOWSKI CHECKED BY: J.NAJERA APPROVED BY: S.PONG	DATE 03/31/2022 03/31/2022 03/31/2022	L-com <sup>TM</sup> an INFINITE brand 50 High Street, West Mill, North Andover, MA 01845 USA. Phone: 1.800.341.5266 1.978.682.6936
PRODUCT DESCRIPTION ATTENUATOR, FIXED, BNC PLUG TO BNC JACK, 500HM, 4GHZ RATED, 2 WATT		CATEGORY ATTENUATORS		
CONFIGURATION DETAILS OF UNDIMENSIONED FEATURES MAY VARY COLOR VARIATIONS MAY OCCUR		SIZE CAGE CODE ITEM NO.		
A 43321 LCAT7437		REV. A LCAT7437		
SCALE: NONE		CAD FILE: LCAT7437.SIDRRW		
SHEET 1 OF 1		SHEET 1 OF 1		

- NOTES:
- ITEM IS MARKED WITH PART NUMBER WHERE SHOWN. "-XX" DENOTES THE ATTENUATION VALUE, EXAMPLE: 7437-1 = 1dB, 7437-10 = 10dB, ETC.