

2W/20 dB Fixed Attenuator, N Male to N Female  
Passivated Stainless Steel Body Up to 18 GHz



**LCAT7094-20**

**Features**

- DC to 18 GHz Frequency Range
- Attenuation 20±0.5 dB
- N Type Male/Female Connectors
- Max Power 2 Watts (CW)
- VSWR < 1.35:1

**Applications**

- Instrumentation
- Precision Measurements
- Prototyping and Characterization
- Production Systems

**Description**

L-com carries a wide range of fixed attenuators with a broad selection of attenuation levels and frequency ranges. RF fixed attenuators lower the amplitude of a signal (attenuate) by specific amount and can be used in a wide variety of applications. These attenuators are used when signal levels need to be reduced to protect measurement equipment or other circuitry, to extend the range of power meters and amplifiers, and to impedance match circuits by reducing the VSWR seen by adjacent components. RF attenuators can prevent signal overload in amplifiers, receivers and detectors, adjusting the signal level to optimal power range.

Few RF components are as commonly used as fixed coaxial attenuators, and L-com carries one of the largest in-stock varieties and ships them same day. The 20 dB Fixed Attenuator LCAT7094-20 is rated to 2 Watts and operates from DC to 18 GHz. The versatile coaxial package uses type N male to type N female connectors.

**Electrical Specifications**

Description	Minimum	Typical	Maximum	Units
Frequency Range	DC		18	GHz
Impedance		50		Ohms
Nominal Attenuation		20		dB
Attenuation Accuracy		0.5		dB
VSWR			1.35:1	
Input Power, CW			2	Watts
Input Power, Peak			500	Watts
5µs pulse, 0.05% duty cycle				

**Mechanical Specifications**

**Size**

- Length 1.76 in [44.7 mm]
- Width/Diameter 0.82 in [20.83 mm]
- Height 0.82 in [20.83 mm]
- Weight 0.133 lbs [60.33 g]
- Body Material and Plating Passivated Stainless Steel

**Configuration**

- Design Fixed

2W/20 dB Fixed Attenuator, N Male to N Female  
Passivated Stainless Steel Body Up to 18 GHz



**LCAT7094-20**

**Connectors**

Description	Connector 1	Connector 2
Type	N Male	N Female
Connector Specification	MIL-STD-348	MIL-STD-348
Contact Material and Plating	Beryllium Copper, Gold	Beryllium Copper, Gold
Outer Conductor Material and Plating	Passivated Stainless Steel	Passivated Stainless Steel
Coupling Nut Material and Plating	Passivated Stainless Steel	
Body Material and Plating	Passivated Stainless Steel	Passivated Stainless Steel

**Environmental Specifications**

**Temperature**

Operating Range -65 to +125 deg C

**Compliance Certifications** (see [product page](#) for current document)

**Plotted and Other Data**

Notes:

**Typical Performance Data**

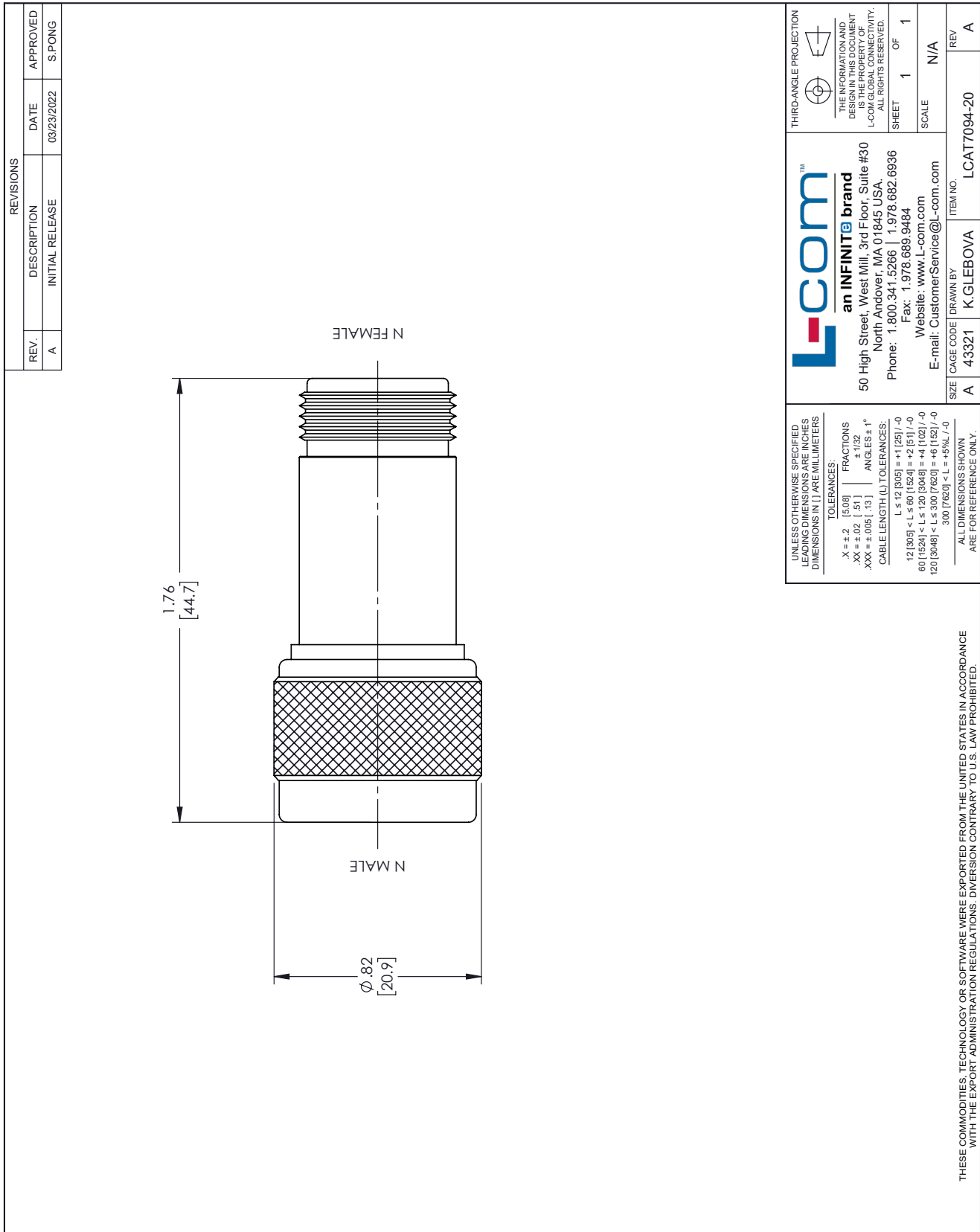
2W/20 dB Fixed Attenuator, N Male to N Female Passivated Stainless Steel Body Up to 18 GHz from L-com has same day shipment for domestic and International orders. Our portfolio includes coaxial cable assemblies, connectors, adapters and custom products as well as lightning and surge protectors, NEMA rated enclosures, and an RF product line which includes antennas, amplifiers, passive, and active components.

URL: <https://www.l-com.com/2w-20-db-fixed-attenuator-n-male-n-female-passivated-stainless-steel-body-up-18-ghz-lcat7094-20-p.aspx>

The information contained within this document is accurate to the best of our knowledge and representative of the part described herein. It may be necessary to make modifications to the part and/or the documentation of the part in order to impliment improvements. L-com reserves the right to make such changes as required. Unless otherwise stated, all specifications are nominal. L-com does not make any representation or warranty regarding the suitability of the part described herein for any particular purpose, and L-com does not assume liability arising out of the use of any part or document.

# LCAT7094-20 CAD Drawing

2W/20 dB Fixed Attenuator, N Male to N Female Passivated Stainless Steel Body Up to 18 GHz



REVISIONS		
REV.	DESCRIPTION	DATE
A	INITIAL RELEASE	03/23/2022
		APPROVED
		S.PONG

<p>UNLESS OTHERWISE SPECIFIED LEADING DIMENSIONS ARE INCHES DIMENSIONS IN [ ] ARE MILLIMETERS</p> <p>TOLERANCES:</p> <p>X = ±.2 [5.08] FRACTIONS          .XX = ±.02 [ .51 ] DECIMALS          .XXX = ±.005 [ .13 ] ANGLES ± 1°</p> <p>CABLE LENGTH (L) TOLERANCES:</p> <p>L ≤ 12 [305] = ±1 [25] / -0          12 [305] &lt; L ≤ 60 [1524] = ±2 [51] / -0          60 [1524] &lt; L ≤ 120 [3048] = ±4 [102] / -0          120 [3048] &lt; L ≤ 300 [7620] = ±6 [152] / -0          300 [7620] &lt; L = +5%L / -0</p> <p>ALL DIMENSIONS SHOWN ARE FOR REFERENCE ONLY.</p>	<p>THIRD-ANGLE PROJECTION</p> <p>THE INFORMATION AND DRAWING CONTENT IS THE PROPERTY OF L-COM GLOBAL CONNECTIVITY. ALL RIGHTS RESERVED.</p> <p>SHEET 1 OF 1</p> <p>SCALE N/A</p>
<p>SIZE A</p> <p>CAGE CODE 43321</p> <p>DRAWN BY K.GLEBOVA</p> <p>ITEM NO. LCAT7094-20</p>	<p>REV A</p>

THESE COMMODITIES, TECHNOLOGY OR SOFTWARE WERE EXPORTED FROM THE UNITED STATES IN ACCORDANCE WITH THE EXPORT ADMINISTRATION REGULATIONS. DIVERSION CONTRARY TO U.S. LAW PROHIBITED.

T-Rev.D