

3300 MHz - 4200 MHz, 11dBi Omnidirectional  
Fiberglass Antenna, N Male Connector, Gray



## HGV-3511U-NM

### Features

- All weather operation
- Lightweight fiberglass radome
- Integral N-Male connector
- Commercial grade design
- 360° Omnidirectional Pattern

### Applications

- Point to Multipoint and Non Line of Sight (NLOS) Applications
- 3500 CBRS and EU C-Band Cellular Band Operation
- 11 dBi gain

### Description

The single port high performance outdoor omnidirectional fiberglass antenna HGV-3511U-NM from L-Com is in stock and ready to ship the same day you order it. Specifically designed for Wi-Fi networks, the fiberglass radome type N male HGV-3511U-NM has a frequency range of 3300MHz to 4200MHz. This outdoor rated 11dBi gain fiberglass antenna includes an N-type male connector. The reasonably priced rugged omnidirectional antenna provides excellent coverage in rural or difficult-to-reach areas.

Our Omni antenna specialists are ready and available to answer any questions you may have about the HGV-3511U-NM single port omnidirectional fiberglass antenna. The gray N male fiberglass antenna supports the unlicensed 3.3 GHz band. These HGV-3511U-NM omnidirectional antennas provide simple mounting solutions for easy deployment.

Contact L-Com's expert technical support for assistance with the omnidirectional fiberglass antenna or any antenna. Download our HGV-3511U-NM datasheet with specifications and CAD drawing with dimensions for details. Our knowledgeable sales team simplifies the purchasing process and ensures that your 11dBi 3.3 GHz to 4.2 GHz single port omnidirectional antenna will be exact to specification.

The fiberglass antenna HGV-3511U-NM from L-Com has high gain which allows for range extending 4-8 x farther than typical antennas. Order your single port 11dBi omnidirectional Fiberglass Antenna HGV-3511U-NM from L-Com today. There is no MOQ (minimum order quantity) and the product ships from our warehouse the same day.

### Configuration

Radiation Pattern	Omni Directional
Polarization	Vertical
Connector Type	N Male
Number of Ports	1

### Electrical Specifications

Description	Minimum	Typical	Maximum	Units
Frequency Range	3,300		4,200	MHz
Input VSWR		2:1		
Impedance		50		Ohms
Gain		11		dB
Horizontal Beamwidth			360	Degrees

Click the following link (or enter part number in "SEARCH" on website) to obtain additional part information including price, inventory and certifications:  
[3300 MHz - 4200 MHz, 11dBi Omnidirectional Fiberglass Antenna, N Male Connector, Gray HGV-3511U-NM](#)

3300 MHz - 4200 MHz, 11dBi Omnidirectional  
Fiberglass Antenna, N Male Connector, Gray



## HGV-3511U-NM

Vertical Beamwidth	7	Degrees
Input Power	50	Watts

### Mechanical Specifications

Radome Material	Fiberglass
<b>Size</b>	
Length	25.6 in [650.24 mm]
Width	0.728 in [18.49 mm]
Height	0.728 in [18.49 mm]
Weight	1.2125 lbs [549.98 g]

### Environmental Specifications

<b>Temperature</b>	
Operating Range	-40 to +70 deg C
Wind Survivability	124.274 MPH [200 KPH]
Humidity	5 to 95
Ingress Protection	IP67

**Compliance Certifications** (see [product page](#) for current document)

### Plotted and Other Data

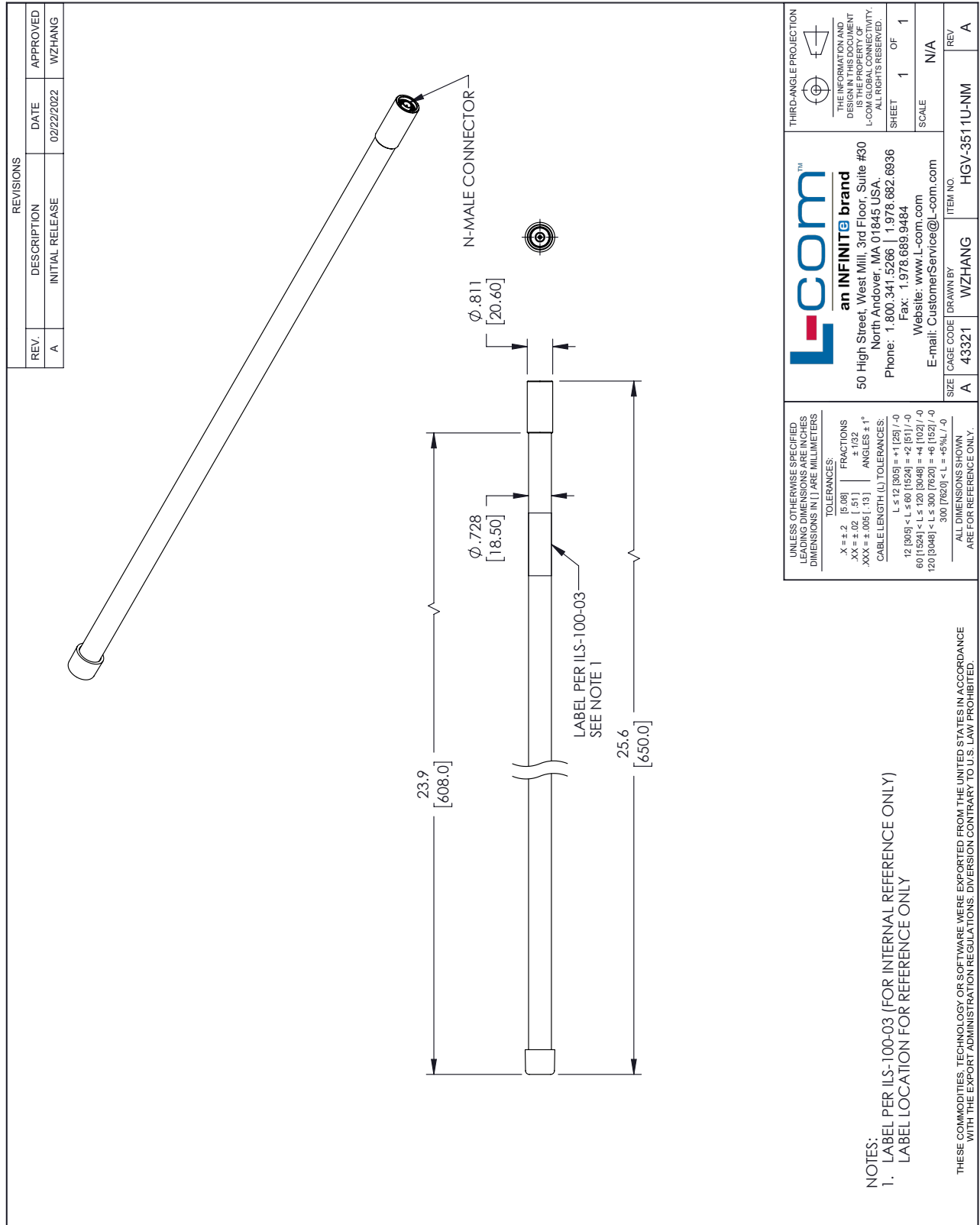
Notes:

3300 MHz - 4200 MHz, 11dBi Omnidirectional Fiberglass Antenna, N Male Connector, Gray from L-com has same day shipment for domestic and International orders. Our portfolio includes coaxial cable assemblies, connectors, adapters and custom products as well as lightning and surge protectors, NEMA rated enclosures, and an RF product line which includes antennas, amplifiers, passive, and active components.

The information contained within this document is accurate to the best of our knowledge and representative of the part described herein. It may be necessary to make modifications to the part and/or the documentation of the part in order to impliment improvements. L-com reserves the right to make such changes as required. Unless otherwise stated, all specifications are nominal. L-com does not make any representation or warranty regarding the suitability of the part described herein for any particular purpose, and L-com does not assume liability arising out of the use of any part or document.

3300 MHz - 4200 MHz, 11dBi Omnidirectional Fiberglass Antenna, N Male Connector, Gray

L-com CAD Drawing



NOTES:  
 1. LABEL PER ILS-100-03 (FOR INTERNAL REFERENCE ONLY)  
 LABEL LOCATION FOR REFERENCE ONLY

T-Rev.D