

698-960 MHz / 1710-2700 MHz / 3400-4200 MHz Low PIM Rated Indoor
VH-pol Omni Antenna, 3-5 dBi, Ceiling Mount, 2 x Type N Female Connector



HG74205DPCUPR-NF

Features

- Low Passive Intermodulation (PIM) <-150 dBc @ 2x20W
- Vertical + Horizontal Polarization for MIMO
- Two N Female connector with 12 inch pigtailed
- Covers 5G, WiFi and LTE frequency bands including extended CBRS

Applications

- Indoor distribution of 5G, LTE, GSM/CDMA
- In-building public or private networks
- LPWAN, LoRA, LTE-M, NB-IoT, IoT, M2M applications
- DAS (DistributedAntennaSystems)
- Ceiling Mounts

Description

The L-com HG74205DPCUPR-NF is a low PIM rated, high performance MIMO ceiling mount omnidirectional antenna specifically designed for in-building wireless networks such as DAS (Distributed Antenna Systems). L-com's HG74205DPCUPR-NF has 3 to 5 dBi gain and can be used to distribute Cellular and WiFi signals throughout a building or area. The HG74205DPCUPR-NF operates from 698 to 4200 MHz which is ideal for 5G, LTE, CDMA, LPWAN/IoT/M2M applications including LoRA, LTE-M, and NB-IOT. The Multi-Band design of the L-com HG74205DPCUPR-NF antenna eliminates the need to purchase different antennas for each frequency. This simplifies installations since the same antenna can be used for a wide array of in-building wireless applications where wide coverage is desired.

The HG74205DPCUPR-NF from L-com has omnidirectional patterns with V/H polarization and features Type N connectors. The key to providing the best performance in telecommunications is to ensure the components used are low PIM rated. This helps meet the increasing demand for higher data rates and the ability to provide streaming video for mobile devices. With a low PIM rating of <-150 dBc, the 698-4200 MHz HG74205DPCUPR-NF helps meets the most demanding PIM requirements for 5G and LTE/4G bands.

The Type N connectorized HG74205DPCUPR-NF antenna from L-com is designed specifically for in-building operation and is ideal for use in large open areas such as indoor courtyards, indoor sporting venues, convention centers and shopping malls. The included mounting bracket and hardware makes this antenna very easy to install. This 5G Cellular antenna just like our wide selection of superior quality RF parts, ship same day. Contact our knowledgeable and friendly technical support and sales staff for your answers on antennas or other L-com products.

Configuration

Design	Ceiling
Band Type	Wide
Radiation Pattern	Omni Directional
Polarization	Vertical/Horizontal
Connector Type	N Female
Interface 2	N Female
Number of Ports	2

Electrical Specifications

Description	Minimum	Typical	Maximum	Units
Frequency Range	698		4200	MHz

Click the following link (or enter part number in "SEARCH" on website) to obtain additional part information including price, inventory and certifications:
[698-960 MHz / 1710-2700 MHz / 3400-4200 MHz Low PIM Rated Indoor VH-pol Omni Antenna, 3-5 dBi, Ceiling Mount, 2 x Type N Female Connector](#)

698-960 MHz / 1710-2700 MHz / 3400-4200 MHz Low PIM Rated Indoor
VH-pol Omni Antenna, 3-5 dBi, Ceiling Mount, 2 x Type N Female Connector



HG74205DPCUPR-NF

Impedance	50	Ohms
Gain	3	dBi
Gain	5	dBi
Input Power	50	Watts
Passive Intermodulation 3rd Order, 2 x 20 W	-150	

Specifications by Band

Description	Band 1	Band 2	Band 3	Band 4	Band 5	Units
Range	0.698 to 0.806	0.806 to 0.96	1.71 to 2.7	3.4 to 4.2		GHz
Gain	3	3.5	4.5	5		dBi
Horizontal HPBW	360	360	360	360		Degrees
Vertical HPBW	90	85	45	35		Degrees
Port to Port Isolation	17	17	20	25		dB
VSWR Max	2:1	2:1	2:1	2:1		

Mechanical Specifications

Radome Material	ABS
Size	
Length	8.58 in [217.93 mm]
Width	8.58 in [217.93 mm]
Height	1.57 in [39.88 mm]
Weight	1.1 lbs [498.95 g]

Environmental Specifications

Temperature	
Operating Range	-55 to +60 deg C
Humidity	< 95

Compliance Certifications (see [product page](#) for current document)

Plotted and Other Data

Notes:

698-960 MHz / 1710-2700 MHz / 3400-4200 MHz Low PIM Rated Indoor VH-pol Omni Antenna, 3-5 dBi, Ceiling Mount, 2 x Type N

698-960 MHz / 1710-2700 MHz / 3400-4200 MHz Low PIM Rated Indoor
VH-pol Omni Antenna, 3-5 dBi, Ceiling Mount, 2 x Type N Female Connector



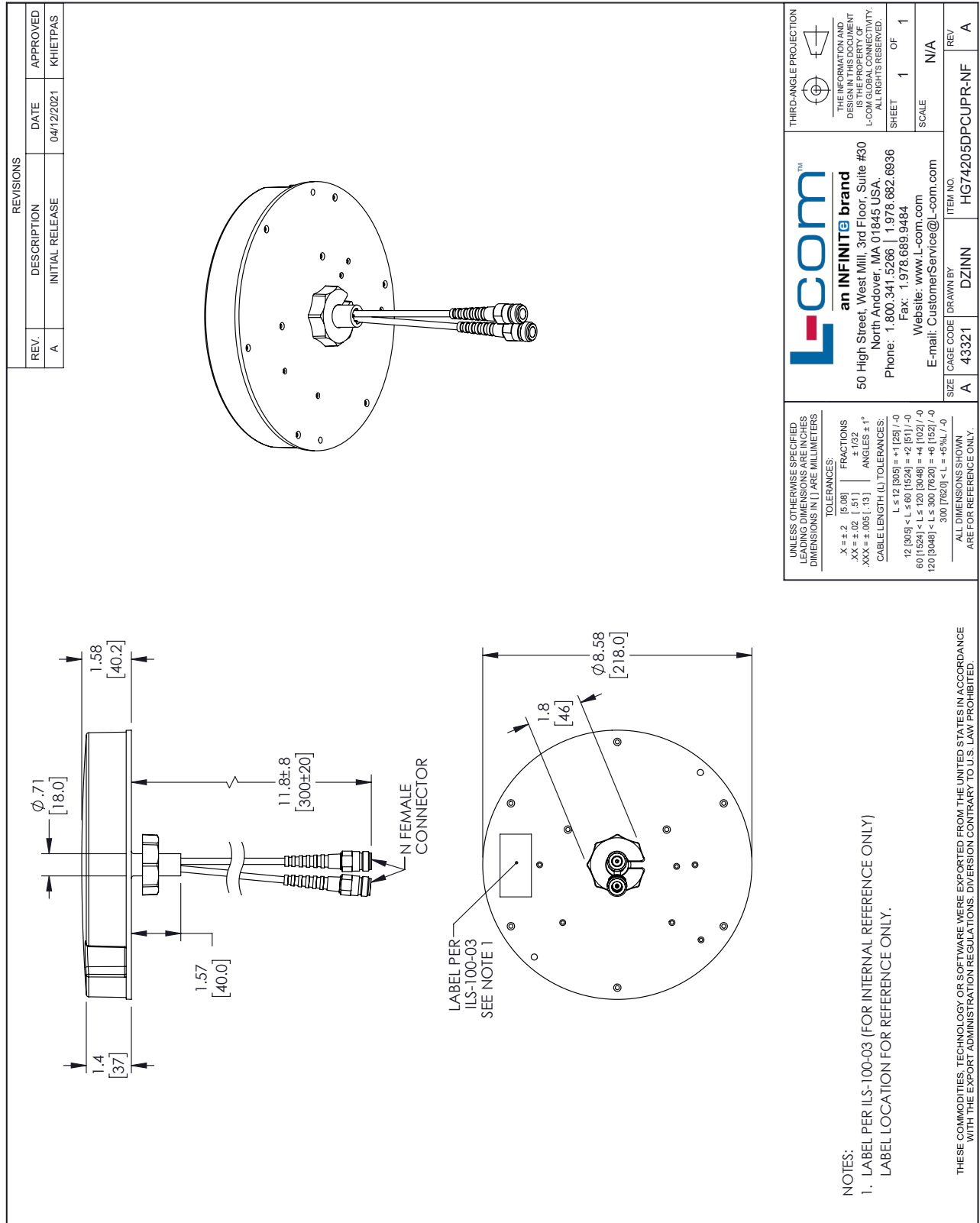
HG74205DPCUPR-NF

Female Connector from L-com has same day shipment for domestic and International orders. Our portfolio includes coaxial cable assemblies, connectors, adapters and custom products as well as lightning and surge protectors, NEMA rated enclosures, and an RF product line which includes antennas, amplifiers, passive, and active components.

The information contained within this document is accurate to the best of our knowledge and representative of the part described herein. It may be necessary to make modifications to the part and/or the documentation of the part in order to impliment improvements. L-com reserves the right to make such changes as required. Unless otherwise stated, all specifications are nominal. L-com does not make any representation or warranty regarding the suitability of the part described herein for any particular purpose, and L-com does not assume liability arising out of the use of any part or document.

698-960 MHz / 1710-2700 MHz / 3400-4200 MHz Low PIM Rated Indoor VH-pol Omni Antenna, 3-5 dBi, Ceiling Mount, 2 x Type N Female Connector

L-com CAD Drawing



UNLESS OTHERWISE SPECIFIED LEADING DIMENSIONS ARE IN INCHES DIMENSIONS IN [] ARE IN MILLIMETERS

TOLERANCES:

.X = ±.2 [5.08]	FRACTIONS ± 1/32
.XX = ±.02 [1.51]	ANGLES ± 1°
.XXX = ±.005 [1.3]	

CABLE LENGTH (L) TOLERANCES:

L ≤ 12 [305]	± 1 [25] / -0
12 [305] < L ≤ 60 [1524]	± 2 [51] / -0
60 [1524] < L ≤ 120 [3048]	± 4 [102] / -0
120 [3048] < L ≤ 300 [7620]	± 6 [152] / -0
300 [7620] < L	± 5% / -0

ALL DIMENSIONS SHOWN ARE FOR REFERENCE ONLY.

THESE COMMODITIES, TECHNOLOGY OR SOFTWARE WERE EXPORTED FROM THE UNITED STATES IN ACCORDANCE WITH THE EXPORT ADMINISTRATION REGULATIONS. DIVERSION CONTRARY TO U.S. LAW PROHIBITED.

an INFINITE brand

50 High Street, West Mill, 3rd Floor, Suite #30
North Andover, MA 01845, USA.
Phone: 1.800.341.5266 | 1.978.682.6936
Fax: 1.978.689.9484
Website: www.L-com.com
E-mail: CustomerService@L-com.com

SIZE A CAGE CODE 43321 DRAWN BY DZINN

NOTES:
1. LABEL PER ILS-100-03 (FOR INTERNAL REFERENCE ONLY)
LABEL LOCATION FOR REFERENCE ONLY.

T-Rev.D