

3300 MHz-4200 MHz, 17 dBi, 90-degree +/-45 Dual pol, 8-port MIMO Sector antenna, 8 x Type N Female connector



## HG3317DP-090-8NF

### Features

- Frequency coverage for 3300 MHz to 4200 MHz
- Very High Gain 17 dBi Directional Antenna
- Easy Install universal mounting bracket provided
- Weatherproof ABS – UV Resistance PVC radome
- 8 x Type N Female connector
- 90° beamwidth with dual +/-45 slant polarization
- 100 W max input power

### Applications

- 2X2, 4X4 and 8X8 MIMO ready
- 3.3/CBRS applications supported
- Wireless LAN systems & IEEE 802.16e applications
- Mobile WiMAX Wireless Internet Provider “cell” site
- Smart cities expansion for coverage and IOT / IIOT
- Outdoor or indoor point-to-point (PtP) or point-to-multipoint (PtMP) applications

### Description

The L-com HG3317DP-090-8NF 8-port Sector Antenna works from 3300 MHz to 4200 MHz. provides industry leading gain, side lobes suppression, and high front-to-back ratio. The HG3317DP-090-8NF has gain performance of 17 dBi gain and is perfectly suited for macro base station or small cell deployments. Available in 90° beamwidth with dual +/-45 slant polarization.

The HG3317DP-090-8NF from L-com patterns are engineered to be symmetric in both polarizations, which will minimize chain imbalance. The HG3317DP-090-8NF sector antennas has 8 Type N Female connectors which make 2x2, 4x4, and 8x8 MIMO configurations possible for high speeds or multiple technology deployments. The sector antenna’s 25 dB port to port isolation and 30 dB front to back ratio allows for channel (frequency) reuse and can reach high levels of spectral efficiency in the most challenging and noisy environments.

L-com’s HG3317DP-090-8NF sector antenna has powder coated, high strength mounting brackets are built to withstand wind speeds of up to 135 mph and survive in corrosive environments with large swing in seasonal weather not impacting performance. The 3.3 GHz to 4.2 GHz HG3317DP-090-8NF sector antenna with 8 x N-type female connector has rugged and waterproof structure provides durable platform built for a broad range of environments and features a heavy-duty UV-resistance plastic radome for all-weather operation. This High performance 8-port sector antenna with N Female Type connector is in stock and ready to ship the same day. Contact our knowledgeable and friendly technical support and sales staff for your answers on antennas or other L-com products.

### Configuration

Design	Sector
Band Type	Single
Radiation Pattern	Directional
Polarization	45 Deg. Slant
Cable Type	Coax Cable
Connector Type	N Female
Number of Ports	8
Lightning Protection	DC Grounded

### Electrical Specifications

Description	Minimum	Typical	Maximum	Units
-------------	---------	---------	---------	-------

Click the following link (or enter part number in “SEARCH” on website) to obtain additional part information including price, inventory and certifications: [3300 MHz-4200 MHz, 17 dBi, 90-degree +/-45 Dual pol, 8-port MIMO Sector antenna, 8 x Type N Female connector HG3317DP-090-8NF](#)

3300 MHz-4200 MHz, 17 dBi, 90-degree +/-45 Dual pol, 8-port MIMO Sector antenna, 8 x Type N Female connector



## HG3317DP-090-8NF

Frequency Range	3,300	4,200	MHz
Input VSWR		2:1	
Impedance	50		Ohms
Gain	17		dBi
Front to Back Ratio	30		dB
Horizontal (Azimuth) HPBW	90		Degrees
Vertical (Elevation) HPBW	5		Degrees
Input Power		100	Watts

### Mechanical Specifications

Radome Material	PVC
<b>Size</b>	
Length	60.62 in [153.97 cm]
Width	11.02 in [279.91 mm]
Height	3.14 in [79.76 mm]
Mounting Mast Diameter	1.18 to 2.36 in [29.97 to 59.94 mm]
Weight	17.196 lbs [7.8 kg]

### Environmental Specifications

<b>Temperature</b>	
Operating Range	-40 to +60 deg C
Wind Survivability	135 MPH [217.26 KPH]

**Compliance Certifications** (see [product page](#) for current document)

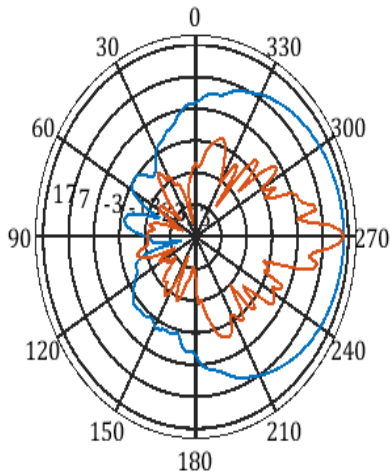
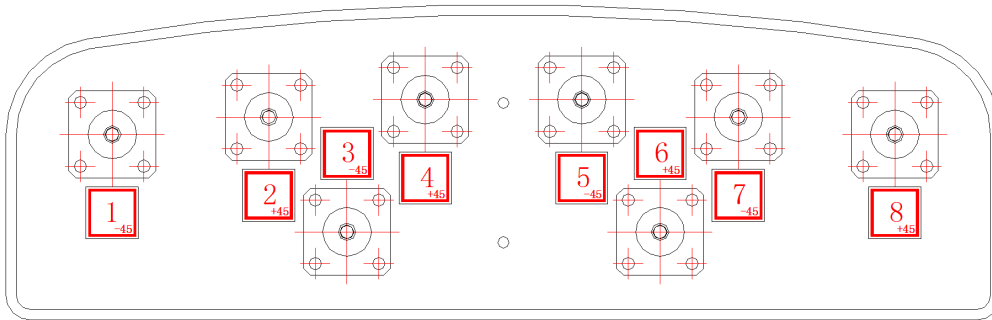
### Plotted and Other Data

Notes:

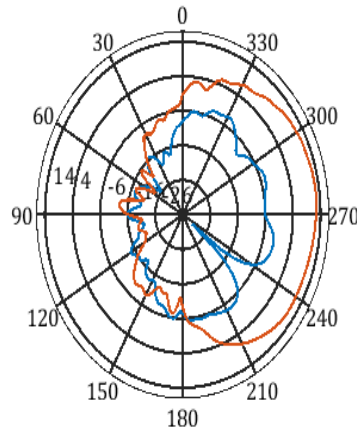
3300 MHz-4200 MHz, 17 dBi, 90-degree +/-45 Dual pol, 8-port  
MIMO Sector antenna, 8 x Type N Female connector



**HG3317DP-090-8NF**



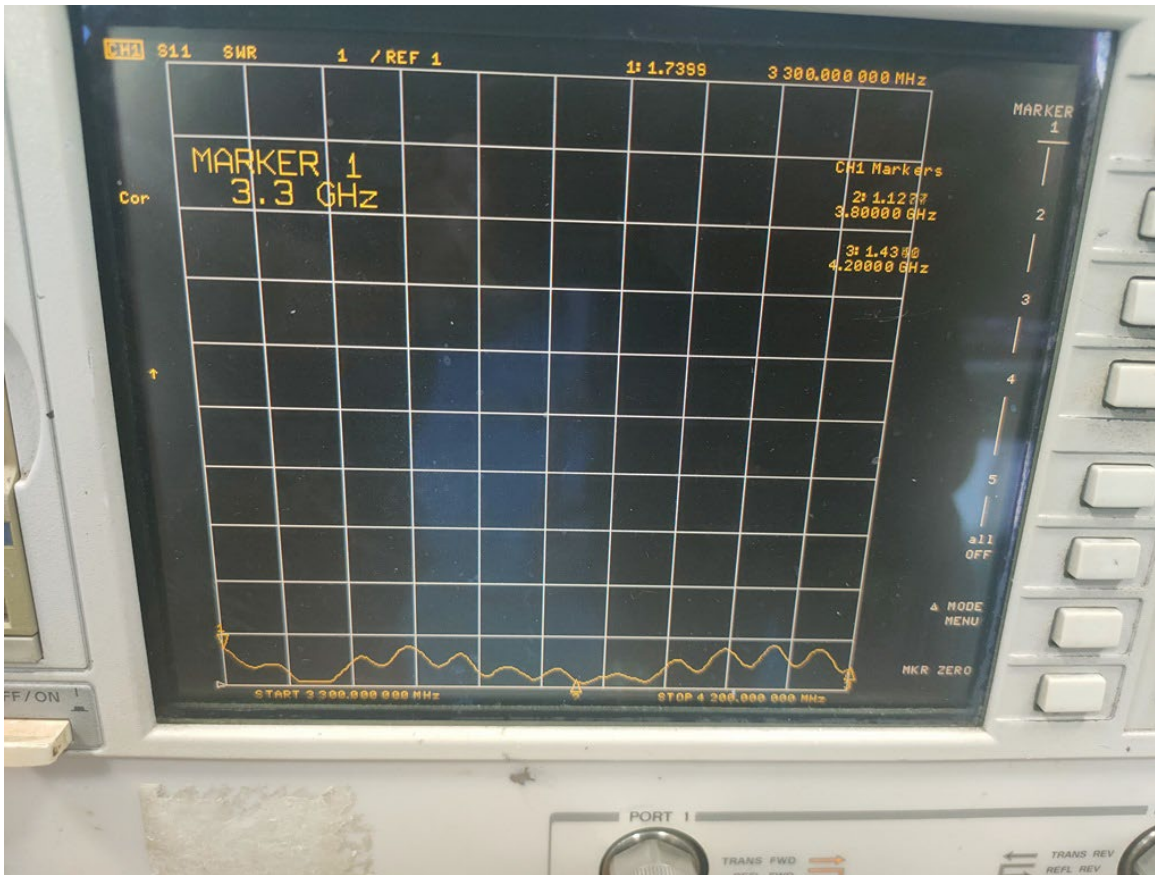
f=3300MHz,Co@2-cuts



f=4200MHz,X-Y Plane

3300 MHz-4200 MHz, 17 dBi, 90-degree +/-45 Dual pol, 8-port MIMO Sector antenna, 8 x Type N Female connector

**HG3317DP-090-8NF**

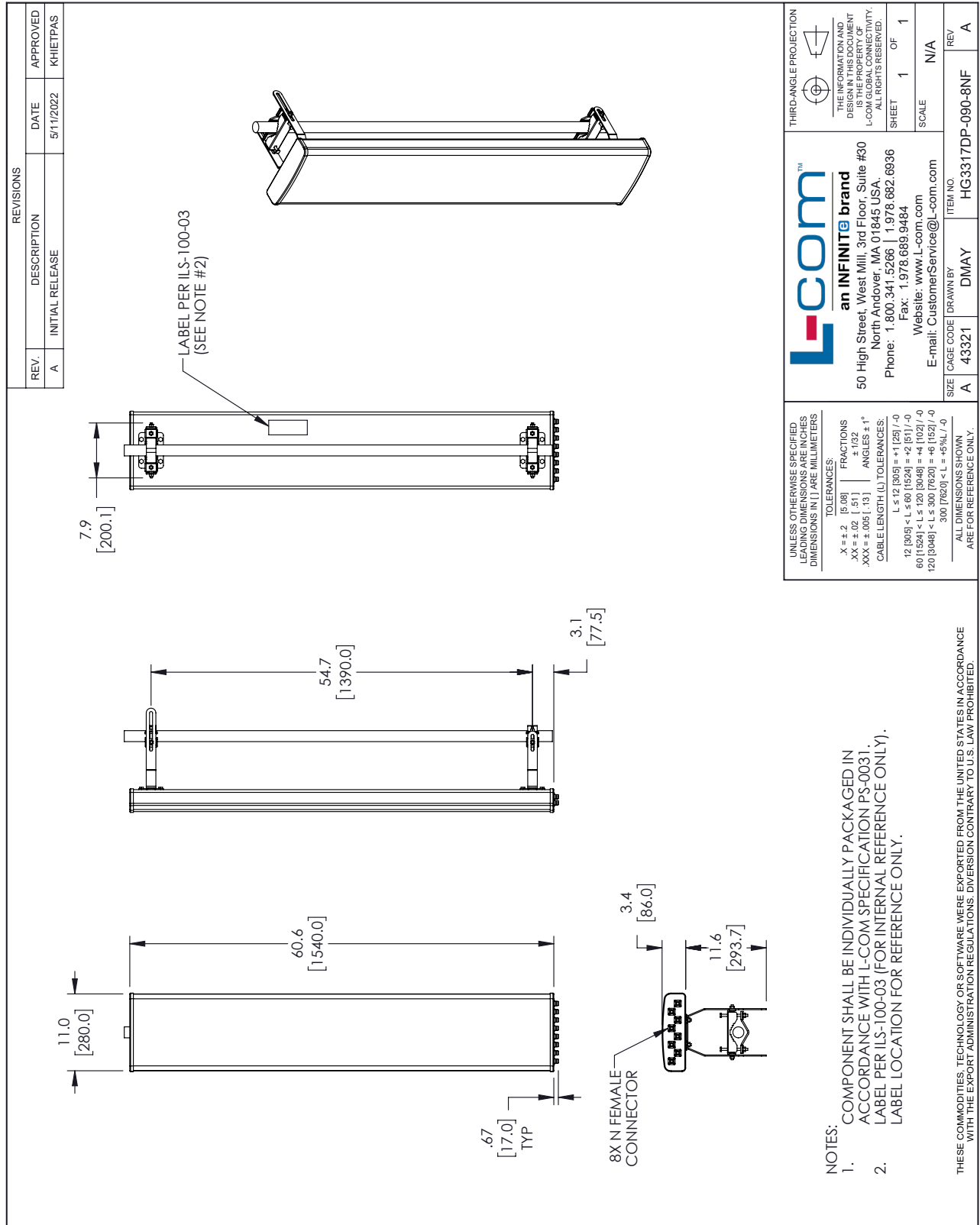


3300 MHz-4200 MHz, 17 dBi, 90-degree +/-45 Dual pol, 8-port MIMO Sector antenna, 8 x Type N Female connector from L-com has same day shipment for domestic and International orders. Our portfolio includes coaxial cable assemblies, connectors, adapters and custom products as well as lightning and surge protectors, NEMA rated enclosures, and an RF product line which includes antennas, amplifiers, passive, and active components.

The information contained within this document is accurate to the best of our knowledge and representative of the part described herein. It may be necessary to make modifications to the part and/or the documentation of the part in order to impliment improvements. L-com reserves the right to make such changes as required. Unless otherwise stated, all specifications are nominal. L-com does not make any representation or warranty regarding the suitability of the part described herein for any particular purpose, and L-com does not assume liability arising out of the use of any part or document.

3300 MHz-4200 MHz, 17 dBi, 90-degree +/-45 Dual pol, 8-port MIMO Sector antenna, 8 x Type N Female connector

L-com CAD Drawing



**L-com™**  
an INFINITE brand

50 High Street, West Mill, 3rd Floor, Suite #30  
North Andover, MA 01845 USA  
Phone: 1.800.341.5266 | 1.978.682.6936  
Fax: 1.978.689.9484  
Website: www.L-com.com  
E-mail: CustomerService@L-com.com

UNLESS OTHERWISE SPECIFIED LEADING DIMENSIONS ARE IN INCHES DIMENSIONS IN [ ] ARE MILLIMETERS

TOLEANCES:  
.X = ±.2 [5.08]      FRACTIONS ± 1/32  
.XX = ±.02 [ .51]     ANGLES ± 1°  
.XXX = ±.005 [ .13]   CABLE LENGTH (L) TOLERANCES:  
L ≤ 12 [305] < L ≤ 60 [1524] = ±1 [25] / -0  
60 [1524] < L ≤ 120 [3048] = ±4 [102] / -0  
120 [3048] < L ≤ 300 [7620] = ±6 [152] / -0  
300 [7620] < L = +5% / -0

ALL DIMENSIONS SHOWN ARE FOR REFERENCE ONLY.

THIRD-ANGLE PROJECTION

THE INFORMATION AND DIMENSIONS SHOWN ARE THE PROPERTY OF L-COM GLOBAL CONNECTIVITY. ALL RIGHTS RESERVED.

SHEET 1 OF 1

SCALE N/A

ITEM NO. HG3317DP-090-8NF

DRAWN BY DMAY

CAGE CODE A 43321

REVISION A

NOTES:

- COMPONENT SHALL BE INDIVIDUALLY PACKAGED IN ACCORDANCE WITH L-COM SPECIFICATION PS-0031.
- LABEL PER ILS-100-03 (FOR INTERNAL REFERENCE ONLY). LABEL LOCATION FOR REFERENCE ONLY.

THESE COMMODITIES, TECHNOLOGY OR SOFTWARE WERE EXPORTED FROM THE UNITED STATES IN ACCORDANCE WITH THE EXPORT ADMINISTRATION REGULATIONS. DIVERSION CONTRARY TO U.S. LAW PROHIBITED.