

Passive DIN 3 Rail Mount Power-Over-Ethernet (PoE) Midspan/Injector with Integral High Power Surge Protection - Model: BTD-CAT5E-P1-HP

Applications

- Wireless LAN Access Points and Bridges
- IP Surveillance Cameras
- Wired Switches
- Wireless LAN Amplifiers

Features

- DIN 3 rail mountable
- CAT5e and CAT5 compatibility
- Surge Protection on all lines, GR-1089 Intra-Building rated
- Cable shield isolated from safety ground
- Up to 60 volts DC or AC power



Description

The BTD-CAT5E-P1-HP Single-Port CAT5E Midspan/Injector (also known as PoE Passive Splitter) is a commercial grade Power-over-Ethernet device that provides DC or AC power for one indoor 10/100 Base-T Ethernet Power-over-Ethernet, PoE equipped Network Appliance device. It is compatible with devices that support the IEEE 802.3af standard PoE power feed using Mode B (Pins 4/5 and 7/8). The unit supports both positive and negative DC as well as AC power up to 60 volts. Power-over-Ethernet eliminates the need for an AC outlet at each AP location. Only a single Ethernet cable is run to each AP instead of separate power and data cables.

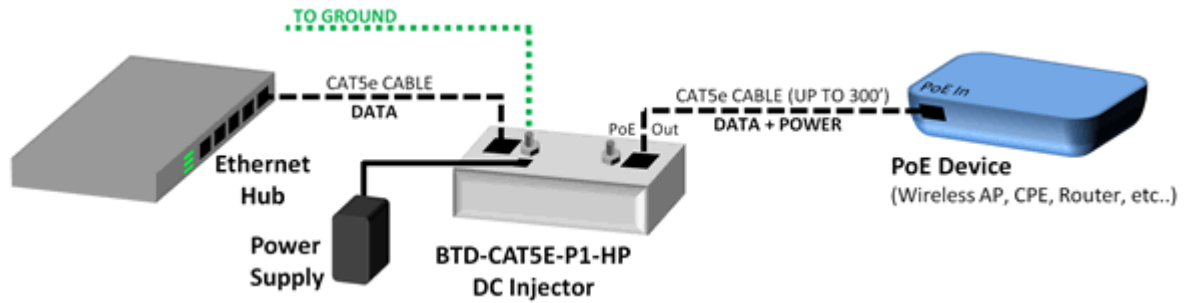
Integral High Power Surge Protection

The BTD-CAT5E-P1-HP features integral surge protection for the data and power feeds for networks. The unit has low Line to Line and Line to Ground capacitance to minimize distortion of high-speed signals. The unit eliminates the need for an external surge protector and is designed to provide protection for expensive indoor equipment. The design provides protection for both common and differential mode surges. The BTD-CAT5E-P1-HP has been designed to meet the GR-1089 Intra-Building surge protection requirements for 10/100 Base-T Ethernet lines. In addition, the unit is compatible with 802.3af Power-over-Ethernet (PoE) Network Appliance devices. The BTD-CAT5E-P1-HP isolates the cable shield from the metal enclosure and the safety ground. This minimizes the chance of a ground loop being introduced. This unit can also be used as a stand alone lightning surge protector.



The BTD-CAT5E-P1-HP features shielded RJ45 jacks. This along with the BTD-CAT5E-P1-HP's metal housing helps reduce the effects of EMI interference. A ground lug and terminal is provided directly on the injector's cast aluminum housing providing superior grounding.

This unit can be mounted to a DIN 3 rail using the DIN mounting clip located on the rear of the unit.



Specifications

Electrical Specifications

Max Voltage	60 Volts AC/DC
Max Current	1.5 A
Power Connector	Standard 2.5mm Coaxial DC Power Jack (2.5mm x 5.5mm x 10mm)
Ethernet Connectors	(2) Shielded RJ45 Jacks
Data Lines	Pair 1: Pins 1 and 2 Pair 2: Pins 3 and 6
Power Lines	+/- VDC: Pins 4 & 5 +/- VDC: Pins 7 & 8
Data Clamping Voltage	Wire – Wire: +/- 15 Volts, Wire – Ground: +/- 90 Volts
Power Clamping Voltage	+/- 80 Volts
Shield Clamping Voltage	+/- 90 Volts

Mechanical Specifications

Enclosure Material	Cast Aluminum
Ground Lug	12 AWG Max.
DIN Clip	DIN 3 Rail
Operating Temp - Injector	-40° C to +70° C
Weight	.28 lbs. (.13 kg)
Dimensions	4.5 x 2.5 x 1.5 (inches) 114.3 x 63.5 x 38.1 (mm)
RoHS Compliant	Yes

BTD-CAT5E-P1-HP

