

## Quad Port DIN 3 Rail Mount Passive Power-Over-Ethernet Midspan/Injector Model: BTD-CAT5-P4

### Applications

- Wireless LAN access points and bridges
- Wired switches
- IP surveillance cameras
- VoIP (Voice over Internet Protocol) telephones
- Wireless LAN WiFi amplifiers

### Features

- DIN 3 rail mountable
- Low cost quad port Midspan/Injector
- Provides DC power surge protection
- Industrial grade aluminum housing
- Available individually or in kits

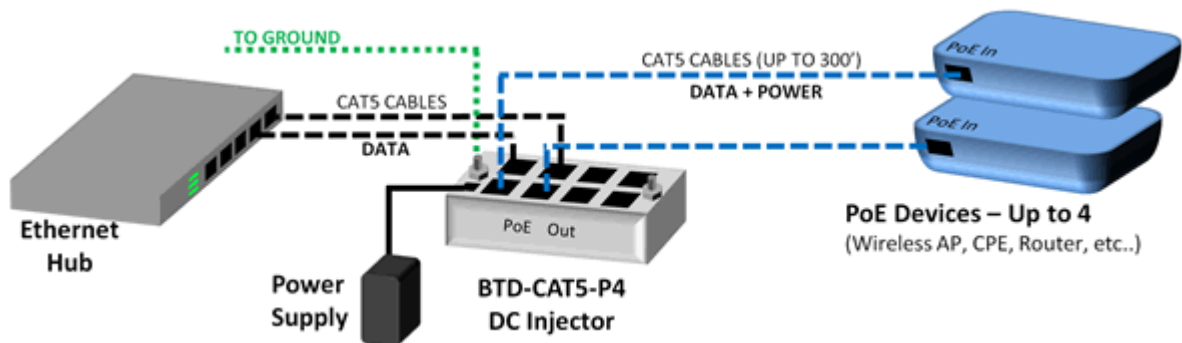


### Description

The BTD-CAT5-P4 Quad port passive Power-over-Ethernet (PoE) Midspan/Injector from L-com provides a low cost solution for adding PoE capability to existing network switches. The unit is ideal for supplying power for up to four Network Appliances like Wireless Access Points and Bridges, Wired Switches and Cameras and IP Telephones with PoE capability. The unit will work with Network Appliances that use the spare Ethernet data pairs to receive power. The BTD-CAT5-P4 features surge protection on the DC power feed and all lines are isolated from the chassis to minimize ground loops. The user can choose the appropriately sized power supply based on the equipment needs. The BTD-CAT5-P4 can be used with power supplies up to 60 volts DC or AC. L-com offers a number of DC power supplies that can be used with the BTD-CAT5-P4.



This unit can be mounted to a DIN 3 rail using the DIN mounting clip located on the rear of the unit.



**Specifications**

**Electrical Specifications**

<b>Ethernet Connectors</b>	(8) RJ45 Jacks
<b>Power Connector</b>	2.5x5.5 mm Jack
<b>Operating Voltage</b>	60 AC or DC Volts
<b>Maximum Current</b>	0.5 A (per port)
<b>CAT5 Power Pinout</b>	+ Pins 4 & 5 - Pins 7 & 8

**Mechanical Specifications**

<b>Enclosure Material</b>	Cast Aluminum
<b>Grounding Lug</b>	12 AWG Max.
<b>DIN Mounting Clip</b>	DIN 3 Rail
<b>Operating Temperature</b>	-40 C (-40 F) to +80 C (+176 F)
<b>Weight</b>	.40 lb. (.18 kg)
<b>Dimensions (WxHxL)</b>	4.5 x 2.5 x 1.5 (inches) 114.3 x 63.5 x 38.1 (mm)
<b>RoHS Compliant</b>	Yes

**BTD-CAT5-P4  
(Typical Each Port)**

