

HyperLink Wireless brand High Power Phone/DSL Lightning Surge Protector

Model: AL-DSLJW

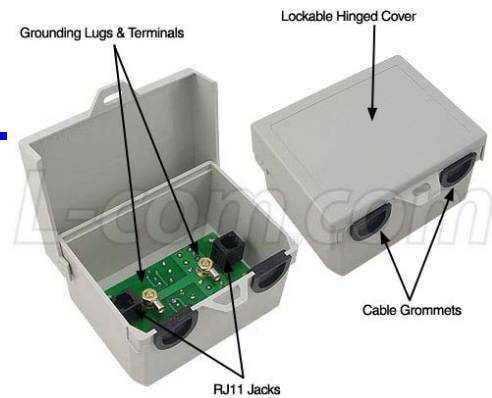
Applications and Features

Applications:

- Protection of DSL and Telephone Lines

Features:

- Three-Stage Protection
- Impact and weather resistant enclosure with locking hinged cover
- RJ-11 jacks



Description

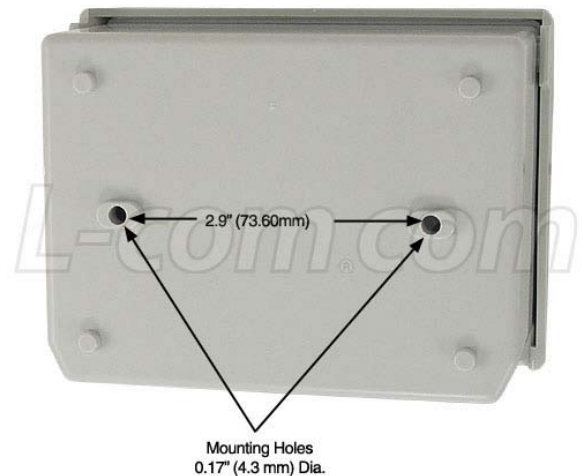
Superior Performance

The AL-DSLJW is HyperLink's outdoor version of its HGLN-DSL protector. This Phone/DSL 3-stage Lightning Protector provides superior lightning and surge protection for Telephone and DSL lines. The unit is fully compatible with dedicated and shared DSL and phone lines. Shared phone lines carry the ring voltage for standard telephones. The unit protects against both differential and common mode transients.

The first stage is comprised of a differential gas discharge tube. Stage two is a pair of current limiting series resistors and the final stage is a low capacitance diode array. The use of three terminal differential gas discharge tubes provides superior protection against surges. The second stage series resistance limits the power dissipation of the faster diode clamp array in the third stage. This allows time for the slower but higher power gas tubes to turn on. The diode array clamps the leading edge of fast transients to safe levels until the high power gas tubes turn on. This eliminates the damaging leading edge spike that single stage gas tube protectors let leak through. The 3-stage design can handle higher-level transients than a protector that uses only diodes.

Outdoor Use

The compact weather resistant housing features a lockable hinged cover and mounting holes are provided on the rear of the enclosure for mounting. The two cable grommets may be adjusted to cable size and are removable.



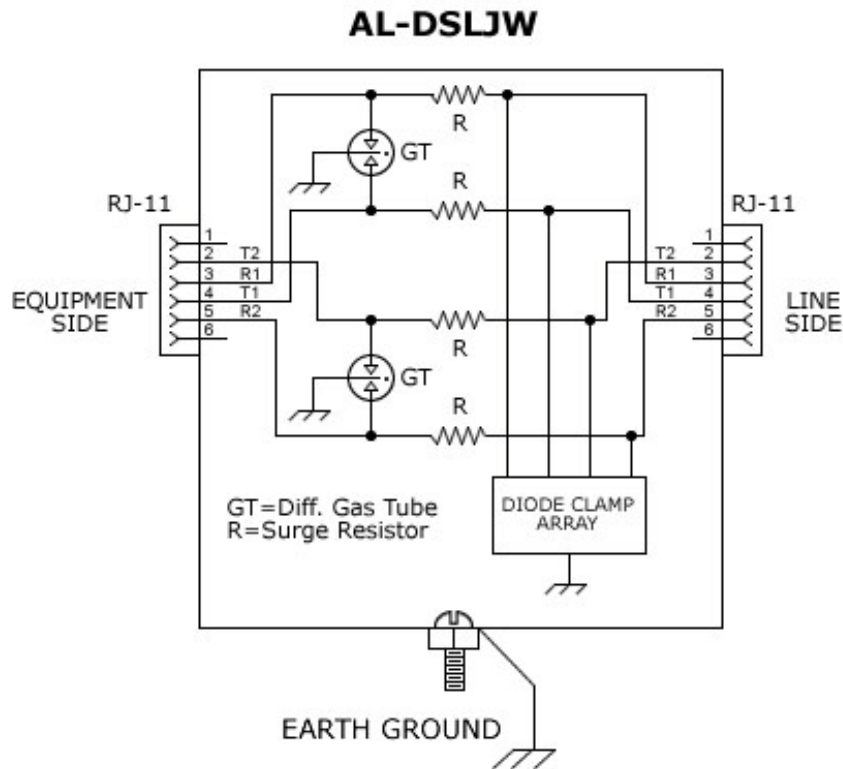
Specifications

Mechanical Specifications

Enclosure Material	Polycarbonate
Enclosure Color	Gray
Grounding Lug	(2) 12 AWG Max.
Operating Temperature	-40 C (-40 F) to +80 C (+176 F)
Weight	.40 lb. (.18 kg)
Dimensions	4.75 x 4.06 x 2.81 (inches) 120.6 x 103.1 x 71.3 (mm)
RoHS Compliant	Yes

Electrical Specifications

Connectors	(2) RJ11 Jack
Pinout	Line 1: Pins 3 / 4 Line 2: Pins 2 / 5
Stage 1 Clamping Voltage	+ or - 230 Volts
Stage 2 Resistance	3.3 Ohms
Stage 3 Clamping Voltage	+ or - 190 Volts



Guaranteed Quality

This product is backed by L-com's Limited Warranty.