

Weatherproof 70.7/100 Volt Public Address System Lightning and Surge Protector Model: AL-D2-PAW

Applications

- 70.7/100 Volt public address systems
- Ideal for use with office complexes and outdoor public area systems (e.g. bus/train stations, parks)

Features

- Weatherproof ABS enclosure
- Gasketed cover and concealed mounting holes
- Screw terminals for speaker wiring
- Ground clamp provided on outside of enclosure

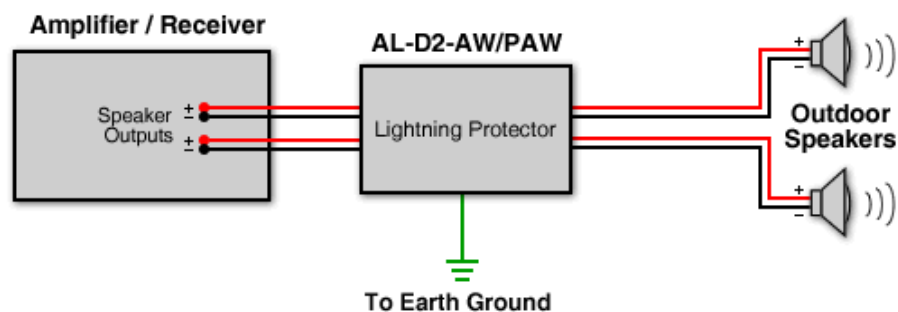


Description

Two Channel Protection for Audio Systems

The AL-D2-PAW is a two channel high performance weather-proof two-stage lightning protector capable of protecting a 100 Watt RMS* audio amplifier from surges on its speaker wires. This model provides protection to two pairs of wires. It can also be used with mono systems such as public address systems driving up to two speakers.

The AL-D2-PAW is recommended for commercial applications such as office complexes and outdoor public areas (e.g. bus/train stations, parks) which typically use 70.7/100 volt public address systems.



Weather-Proof Construction

The AL-D2-AW features a weatherproof ABS enclosure with gasketed cover and concealed mounting holes. Weather-Proof conduits provide access to internal input and output terminal strips. For maximum protection, a ground clamp provides a tie point for earth ground.



Specifications

Electrical Specifications

Audio Channels	2
Max Input Power	100 Watt RMS/Channel*
Connectors	Screw Terminal
Stage 1	5 Amp Fuse
Stage 2	180 Volt Varistor Array
*Higher input power ratings are also available. Contact us for more information.	

Mechanical Specifications

Enclosure Material	ABS
Enclosure Color	Dark Gray
Grounding Clamp	10 AWG Max.
Operating Temperature	-40°C to +80°C (-40°F to +176°F)
Weight	.38 lb. (.17kg)
Dimensions	6.3 x 3.15 x 2.17 in (160.6 x 80 x 55 mm)
RoHS Compliant	Yes

