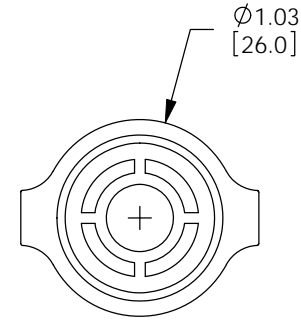
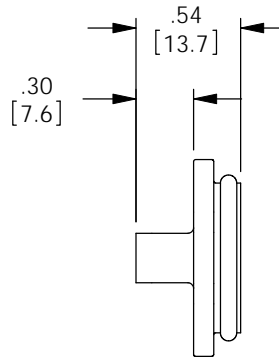
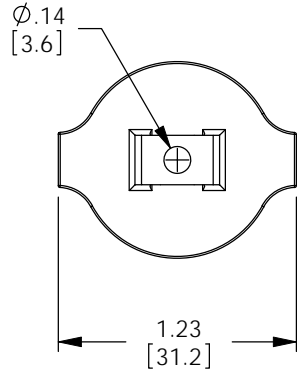
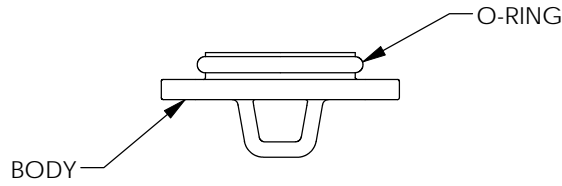


THE INFORMATION CONTAINED IN THIS DRAWING IS THE SOLE PROPERTY OF L-COM, INC. ANY REPRODUCTION IN PART OR WHOLE WITHOUT THE WRITTEN PERMISSION OF L-COM, INC. IS PROHIBITED.

REVISIONS			
REV	DESCRIPTION	DATE	APPROVED
A	INITIAL RELEASE	4/25/07	C. BERUBE
B	ECN 5131: CREATE MODEL AND NEW DRAWING FORMAT	11/9/10	D. FRISIELLO



NOTES:

MATERIAL:
 BODY: THERMOPLASTIC, BLACK.
 O-RING: RUBBER, BLACK.

ALL DIMENSIONS ARE FOR REFERENCE ONLY.

COMPONENT SHALL BE INDIVIDUALLY PACKAGED IN ACCORDANCE WITH L-COM SPECIFICATION PS-0031.

RoHS Compliant ✓

UNLESS OTHERWISE SPECIFIED, DIMENSIONS ARE IN INCHES [mm] DIMENSIONAL TOLERANCES: .X = ±.1 .XX = ±.02 .XXX = ±.005 ANGULAR TOLERANCES: ALL = ± 1°	APPROVALS D. FRISIELLO	DATE 11/9/10		45 BEECHWOOD DRIVE NORTH ANDOVER, MA 01845		
	CHECKED BY D. PARHAM	11/9/10		CATEGORY MODULAR		
	APPROVED BY D. GALLAGHER	11/9/10	PRODUCT DESCRIPTION JACK COVER IP67	SIZE A	FSCM NO. 43321	DWG. NO. WT67RC
PROJECTION 	COLOR VARIATIONS MAY OCCUR	SCALE: NONE	CAD FILE: WT67RC.SLDDRW	SHEET 1 OF 1		