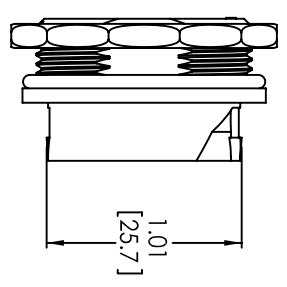
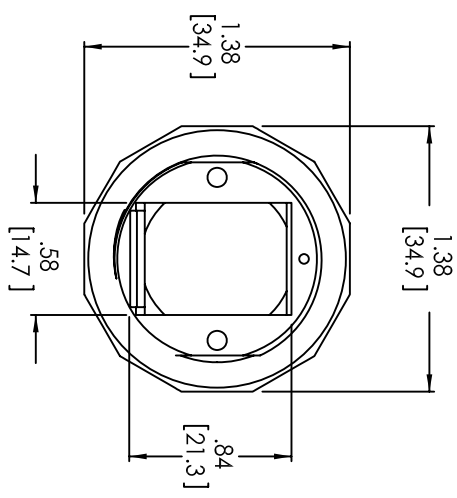
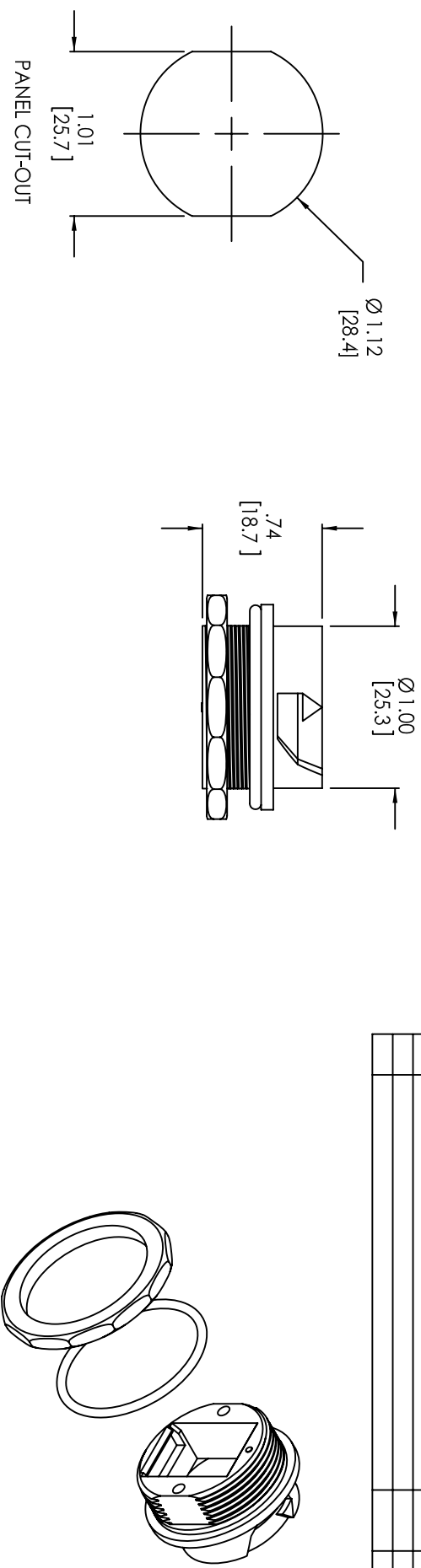


THE INFORMATION CONTAINED IN THIS DRAWING IS THE SOLE PROPERTY OF L-COM, INC. ANY REPRODUCTION IN PART OR WHOLE WITHOUT THE WRITTEN PERMISSION OF L-COM, INC. IS PROHIBITED.

REV	DESCRIPTION	DATE	APPROVED
A	INITIAL RELEASE	04/20/07	C.BERUBE



NOTES:

MATERIAL

HOUSING: THERMOPLASTIC
NUT: STEEL
GASKET: RUBBER

MISCELLANEOUS

ASSEMBLY TO BE INDIVIDUALLY PACKED IN A POLY BAG
ASSEMBLY TO BE ROHS COMPLIANT
ALL DIMS ARE FOR REFERENCE ONLY

8 7 6 5 4 3 2 1

DIMENSIONS ARE IN INCHES (mm)		APPROVALS		DATE	
UNLESS OTHERWISE SPECIFIED		DRAWN BY	C.BERUBE	DATE	02/21/07
TOLERANCES UNLESS OTHERWISE SPECIFIED		CHECKED BY	D.GALLAGHER	DATE	04/20/07
XX ± .01 [2.5]		APPROVED BY	D.GALLAGHER	DATE	04/20/07
XXX ± .005 [1.3]		CONFIGURATION DETAILS OF UNDIMENSIONED FEATURES MAY VARY			
OVERALL CABLE LENGTH TO: >60 [1524] +.58 / -.58					

L-COM
COMMUNITY PRODUCTS

45 BEECHWOOD DRIVE
NORTH ANDOVER, MA
01845

MODULAR

RECEPTACLE
FRONT PANEL MOUNT

SIZE: A
FORM NO.: 43321
SCALE: NONE

DWG. NO.: WT6700FM

SHEET 1 OF 1