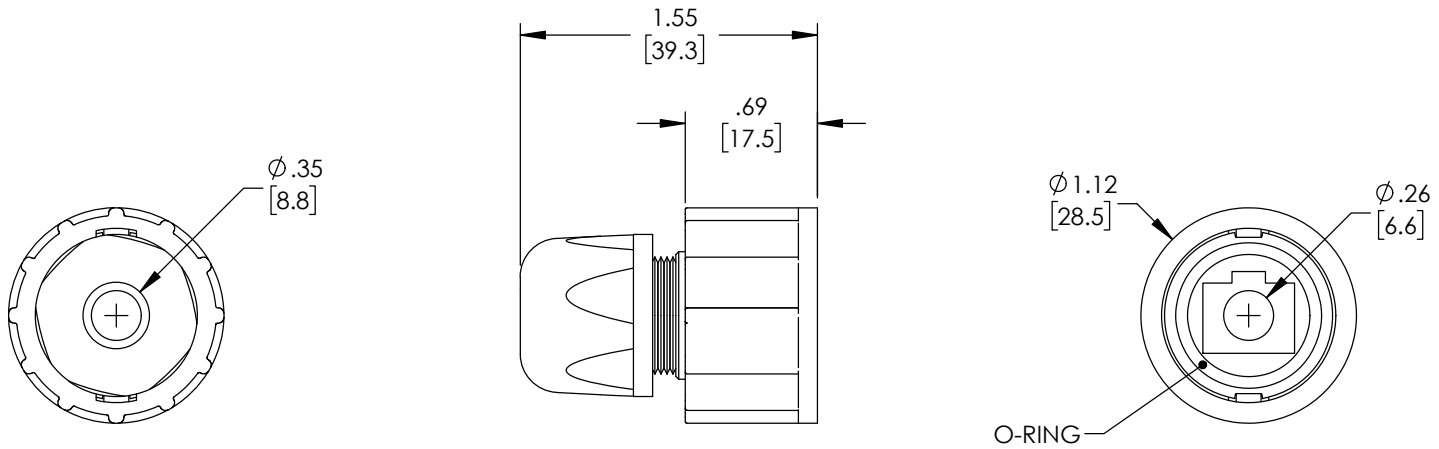


THE INFORMATION CONTAINED IN THIS DRAWING IS THE SOLE PROPERTY OF L-COM, INC. ANY REPRODUCTION IN PART OR WHOLE WITHOUT THE WRITTEN PERMISSION OF L-COM, INC. IS PROHIBITED.

REVISIONS			
REV	DESCRIPTION	DATE	APPROVED
A	INITIAL RELEASE	11/06/2019	DGUTTADAUR



SPECIFICATIONS:

IP RATING: 67 INDUSTRIAL (WHEN MATED)


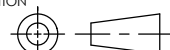
MECHANICAL:

O-RING: RUBBER (NBR)

IP67 ADAPTER AND NUT: HIGH IMPACT FLAME RETARDANT PLASTIC
TEMPERATURE: -40°F TO 150°F (-40°C TO +68°C)

MISCELLANEOUS:

ALL DIMENSIONS ARE FOR REFERENCE ONLY.
COMPONENTS COME UN-ASSEMBLED AND SHALL BE INDIVIDUALLY PACKAGED
IN ACCORDANCE WITH L-COM SPECIFICATION PS-0031.

UNLESS OTHERWISE SPECIFIED, DIMENSIONS ARE IN INCHES [mm] OVERALL CABLE LENGTH TOLERANCE: ≤12 [305] = +1 [25] / -0 >12 [305] ≤60 [1524] = +2 [51] / -0 >60 [1524] ≤120 [3048] = +4 [102] / -0 >120 [3048] ≤300 [7620] = +6 [152] / -0 >300 [7620] = +3% / -0%	APPROVALS	DATE	 50 HIGH STREET NORTH ANDOVER, MA 01845
	DRAWN BY DFRISIELLO	11/01/2019	
ALL OTHER DIMENSIONAL TOLERANCES: .X = ±.2 [5] .XX = ±.02 [.5] .XXX = ±.005 [.13]	CHECKED BY DGUTTADAUR	11/06/2019	CATEGORY TELECOM/MODULAR
	APPROVED BY DGUTTADAUR	11/06/2019	PRODUCT DESCRIPTION IP67 RJ45 PLUG KIT COMPATIBLE W/ WP67-BHA-DC
PROJECTION 	COLOR VARIATIONS MAY OCCUR	SIZE A	CAGE CODE 43321
		DWG. NO. WP67-RJ45-DC	REV. A
		SCALE: NONE	SHEET 1 OF 1

L-com | (OD) | 2019