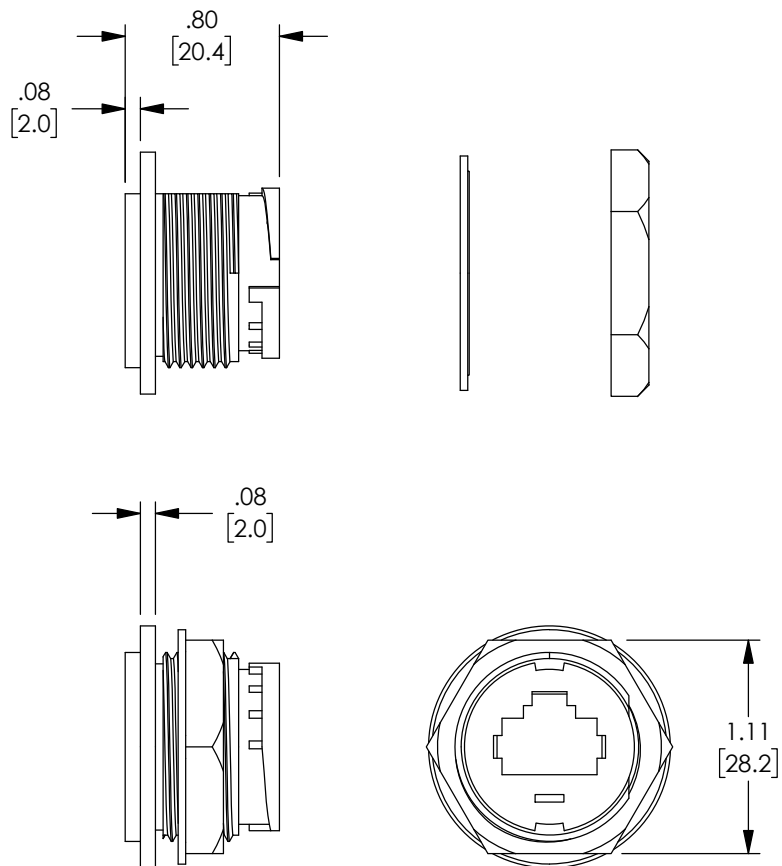


THE INFORMATION CONTAINED IN THIS DRAWING IS THE SOLE PROPERTY OF L-COM, INC. ANY REPRODUCTION IN PART OR WHOLE WITHOUT THE WRITTEN PERMISSION OF L-COM, INC. IS PROHIBITED.

REVISIONS			
REV	DESCRIPTION	DATE	APPROVED
A	INITIAL RELEASE	11/06/2019	DGUTTADAUR



**SPECIFICATIONS:**

IP RATING: 67 INDUSTRIAL (WHEN MATED)

**MECHANICAL:**

IP67 ADAPTER AND NUT: HIGH IMPACT FLAME RETARDANT PLASTIC


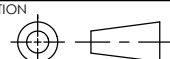
O-RING: RUBBER (NBR)

TEMPERATURE: -40°F TO 150°F (-40°C TO +68°C)

**MISCELLANEOUS:**

ALL DIMENSIONS ARE FOR REFERENCE ONLY.

COMPONENTS COME UN-ASSEMBLED AND SHALL BE INDIVIDUALLY PACKAGED IN ACCORDANCE WITH L-COM SPECIFICATION PS-0031.

UNLESS OTHERWISE SPECIFIED, DIMENSIONS ARE IN INCHES [mm] OVERALL CABLE LENGTH TOLERANCE: ≤12 [305] = +1 [25] / -0 >12 [305] ≤60 [1524] = +2 [51] / -0 >60 [1524] ≤120 [3048] = +4 [102] / -0 >120 [3048] ≤300 [7620] = +6 [152] / -0 >300 [7620] = +3% / -0%	APPROVALS	DATE	 50 HIGH STREET NORTH ANDOVER, MA 01845
	DRAWN BY DFRISIELLO	11/04/2019	
ALL OTHER DIMENSIONAL TOLERANCES: .X = ± .2 [5] .XX = ± .02 [.5] .XXX = ± .005 [.13]	CHECKED BY DGUTTADAUR	11/06/2019	CATEGORY <b>TELECOM/MODULAR</b>
	APPROVED BY DGUTTADAUR	11/06/2019	
PROJECTION 	CONFIGURATION DETAILS OF UNDIMENSIONED FEATURES MAY VARY	PRODUCT DESCRIPTION <b>IP67 BULKHEAD ADAPTER KIT FOR TDG1026KS-C6A-DC</b>	SCALE: NONE
	COLOR VARIATIONS MAY OCCUR	SIZE <b>A</b> CAGE CODE <b>43321</b> DWG. NO. <b>WP67-BHA-DC</b>	REV. <b>A</b> SHEET 1 OF 1

L-com | (OD) | 2019