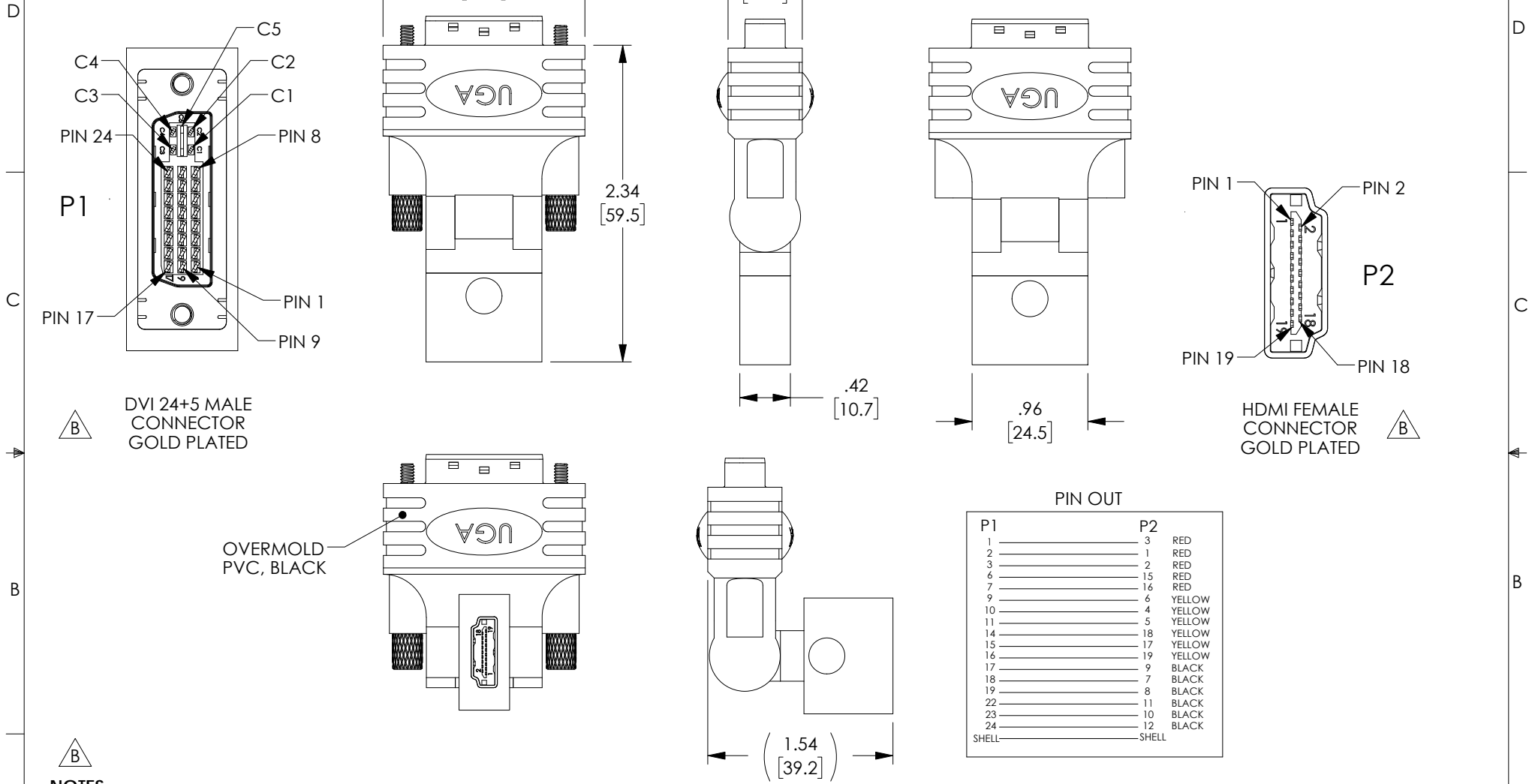


THE INFORMATION CONTAINED IN THIS DRAWING IS THE SOLE PROPERTY OF L-COM, INC. ANY REPRODUCTION IN PART OR WHOLE WITHOUT THE WRITTEN PERMISSION OF L-COM, INC. IS PROHIBITED.

REVISIONS			
REV	DESCRIPTION	DATE	APPROVED
A	INITIAL RELEASE	07/12/2017	BGATES
B	ECN 9935: REVISED DESCRIPTIONS, NOTES, DIMS	07/02/2019	BGATES



NOTES

- ELECTRICAL PROPERTIES:**
1. THERE SHALL NO OPEN/SHORTS, MISWIRING OR INTERMITTENT FAILURES.
 2. ADAPTER SHALL BE 100% ELECTRICAL TEST.
 3. VOLTAGE TEST: DC 300V 10MS
INSULATION RESISTANCE: 5.0M OHM/MIN
CONDUCTOR RESISTANCE: 5.0M OHM/MAX.
- PACKAGING:**
4. ADAPTER SHALL BE INDIVIDUALLY PACKAGED IN ACCORDANCE WITH L-COM SPECIFICATION PS-0031.

UNLESS OTHERWISE SPECIFIED, DIMENSIONS ARE IN INCHES [mm] OVERALL CABLE LENGTH TOLERANCE: ≤12 [305] = +1 [25] / -0 >12 [305] ≤60 [1524] = +2 [51] / -0 >60 [1524] ≤120 [3048] = +4 [102] / -0 >120 [3048] ≤300 [7620] = +6 [152] / -0 >300 [7620] = +5% / -0% ALL OTHER DIMENSIONAL TOLERANCES: .X = ± .2 [5.08] .XX = ± .02 [1.51] .XXX = ±.005 [1.13]	APPROVALS 4	DATE	 50 HIGH STREET NORTH ANDOVER, MA 01845		
	DRAWN BY JYOU	07/12/2017			CATEGORY
	CHECKED BY BGATES	07/12/2017	APPROVED BY BGATES	AUDIO/VIDEO	
	PROJECTION 	CONFIGURATION DETAILS OF UNDIMENSIONED FEATURES MAY VARY	COLOR VARIATIONS MAY OCCUR	PRODUCT DESCRIPTION ADPTR DVI24+5 M TO HDMI AF	
SIZE A		FSCM NO. 43321	DWG. NO. VIC00013	REV. B	
SCALE: NONE		CAD FILE: VIC00013.SLDDRW		SHEET 1 OF 1	