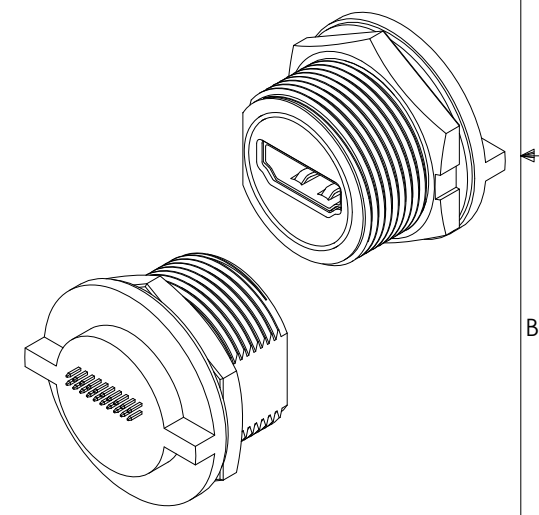
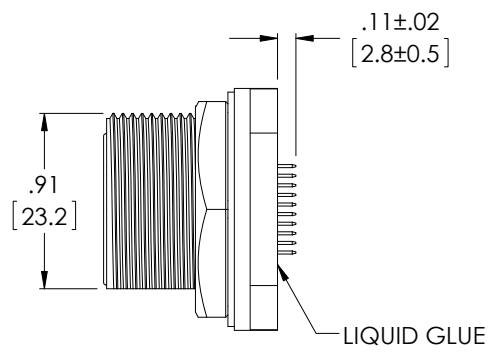
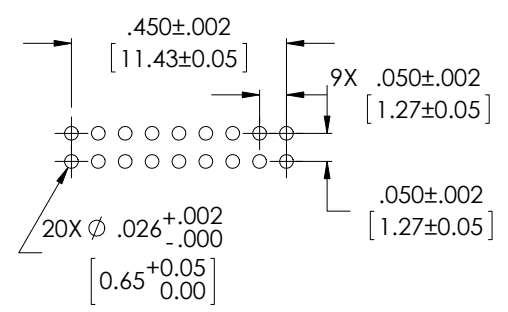
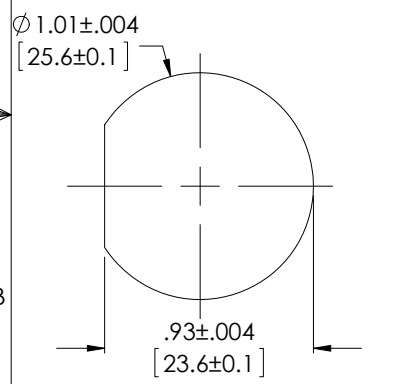
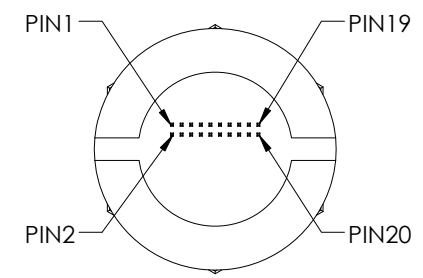
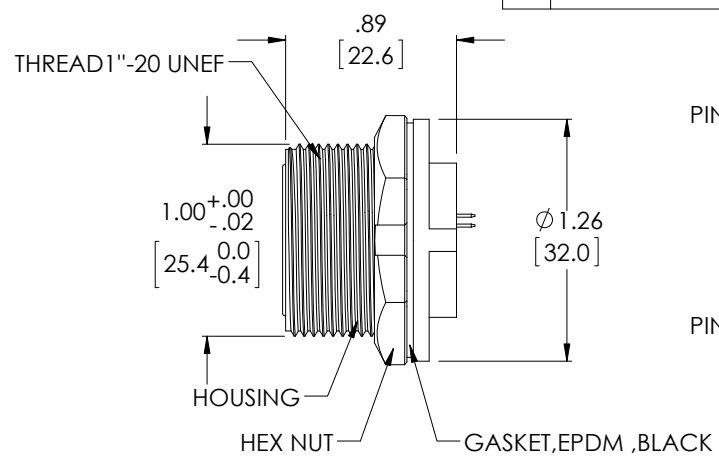
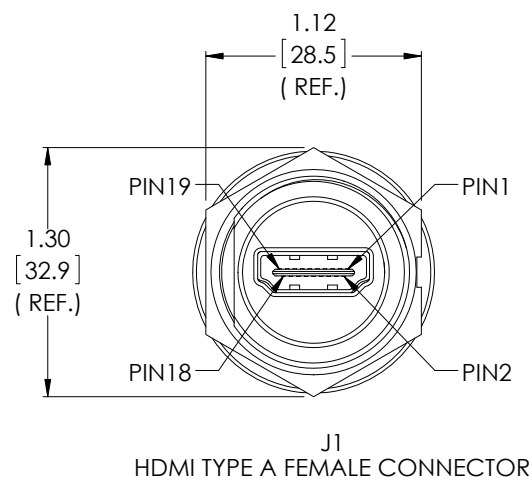


THE INFORMATION CONTAINED IN THIS DRAWING IS THE SOLE PROPERTY OF L-COM, INC. ANY REPRODUCTION IN PART OR WHOLE WITHOUT THE WRITTEN PERMISSION OF L-COM, INC. IS PROHIBITED.

REVISIONS			
REV	DESCRIPTION	DATE	APPROVED
A	INITIAL RELEASE	11/10/17	D.FRISIELLO



NOTES:

1. WATERPROOF RATE: IP67.
2. USE WATERPROOF CAP OR DUST CAP PANEL THICKNESS MAX :2.5MM, W/O WATERPROOF CAP OR DUST CAP PANEL THICKNESS MAX:4.0MM.
3. ADAPTER SHALL BE TESTED FOR CONTINUITY.
4. ADAPTER SHALL BE INDIVIDUALLY PACKAGED IN ACCORDANCE WITH L-COM SPECIFICATION PS-0031.

REGULATORY COMPLIANCE:
CE2011/65/EU (RoHS DIRECTIVE)

UNLESS OTHERWISE SPECIFIED, DIMENSIONS ARE IN INCHES [mm] OVERALL CABLE LENGTH TOLERANCE: ≤12 [305] = +1 [25] / -0 >12 [305] ≤60 [1524] = +2 [51] / -0 >60 [1524] ≤120 [3048] = +4 [102] / -0 >120 [3048] ≤300 [7620] = +6 [152] / -0 >300 [7620] = +5% / -0% ALL OTHER DIMENSIONAL TOLERANCES: .X = ± .2 [5.08] .XX = ± .02 [51] .XXX = ± .005 [1.27]	APPROVALS D.CUI CHECKED BY D.FRISIELLO APPROVED BY B.GATES	DATE 11/09/17 11/09/17 11/09/17	L-com Global Connectivity 50 HIGH STREET NORTH ANDOVER, MA 01845	
	CONFIGURATION DETAILS OF UNDIMENSIONED FEATURES MAY VARY		CATEGORY AUDIO/VIDEO	
	COLOR VARIATIONS MAY OCCUR		PRODUCT DESCRIPTION ADPT, HDMI WATERPROOF CPLR	
	PROJECTION 	SCALE: NONE	SIZE A	FSCM NO. 43321