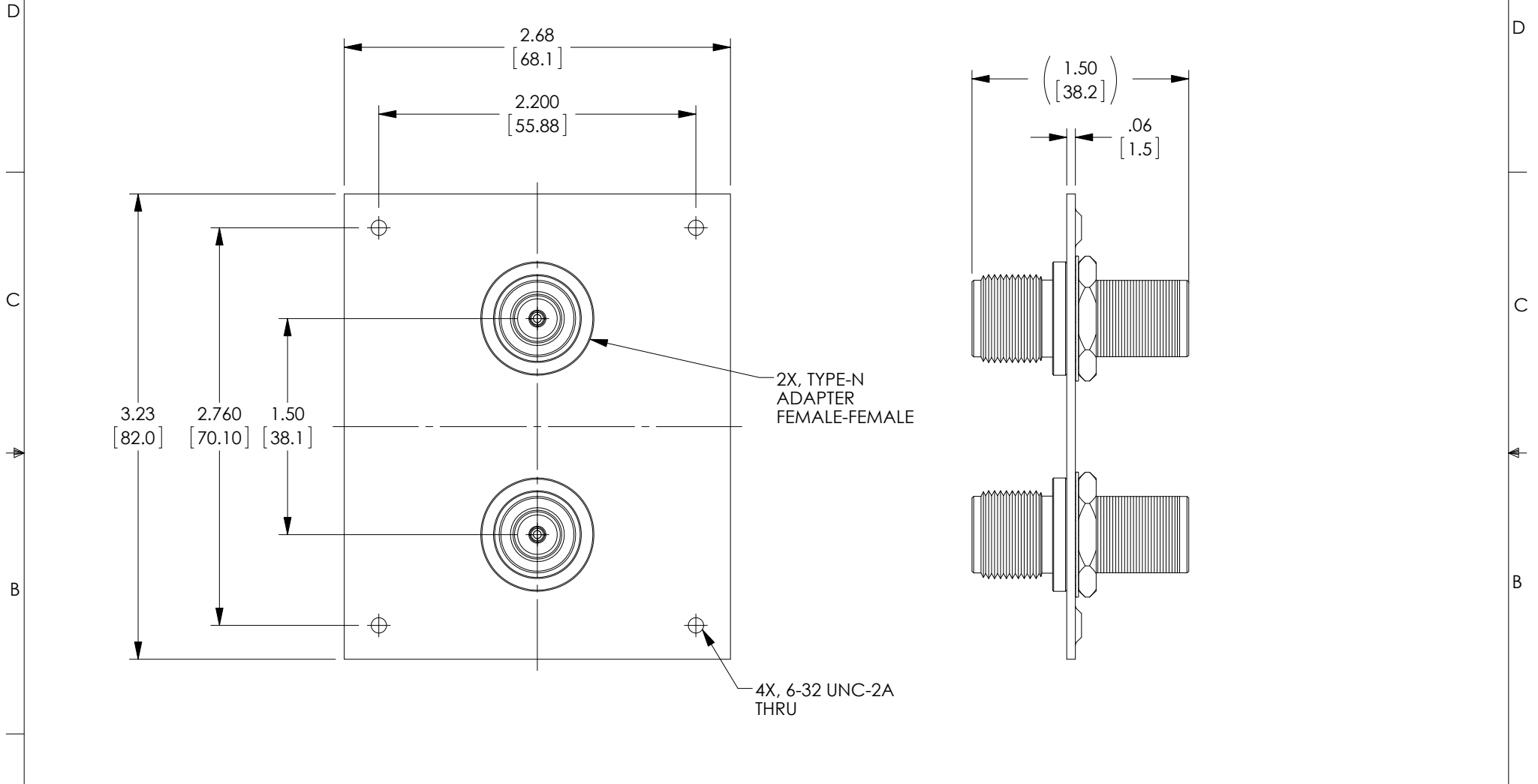


THE INFORMATION CONTAINED IN THIS DRAWING IS THE SOLE PROPERTY OF L-COM, INC. ANY REPRODUCTION IN PART OR WHOLE WITHOUT THE WRITTEN PERMISSION OF L-COM, INC. IS PROHIBITED.

REVISIONS			
REV	DESCRIPTION	DATE	APPROVED
A	INITIAL RELEASE	8/4/17	D.FRISIELLO



**NOTES:**

1. PANEL MATERIAL: .06 [1.5] THK COLD ROLLED STEEL.
2. PANEL FINISH: FLAT BLACK POWDER COAT.
3. KIT CONTAINS 4, #6-32 UNC SCREWS.
4. PANEL ASSEMBLY SHALL BE INDIVIDUALLY PACKAGED IN ACCORDANCE WITH L-COM SPECIFICATION PS-0031.

**REGULATORY COMPLIANCE:**  
CE2011/65/EU(RoHS DIRECTIVE)

UNLESS OTHERWISE SPECIFIED, DIMENSIONS ARE IN INCHES [mm] OVERALL CABLE LENGTH TOLERANCE: <math>\leq 12 [305] = +1 [25] / -0</math> <math>> 12 [305] \leq 60 [1524] = +2 [51] / -0</math> <math>> 60 [1524] \leq 120 [3048] = +4 [102] / -0</math> <math>> 120 [3048] \leq 300 [7620] = +6 [152] / -0</math> <math>> 300 [7620] = +5\% / -0\%</math>	APPROVALS	DATE		50 HIGH STREET NORTH ANDOVER, MA 01845
	DRAWN BY D.FRISIELLO CHECKED BY B.GATES APPROVED BY M.MARTINEZ	8/4/17  8/4/17  8/4/17		
ALL OTHER DIMENSIONAL TOLERANCES: .X = $\pm .2 [5.08]$ .XX = $\pm .02 [1.51]$ .XXX = $\pm .005 [1.13]$	CONFIGURATION DETAILS OF UNDIMENSIONED FEATURES MAY VARY		PRODUCT DESCRIPTION USP SUB-PNL W/2 "N" F-F GRND	
PROJECTION 	COLOR VARIATIONS MAY OCCUR	SIZE <b>A</b>	FSCM NO. <b>43321</b>	DWG. NO. USP2NB
		SCALE: NONE	CAD FILE: USP2NB.SLDDRW	SHEET 1 OF 1