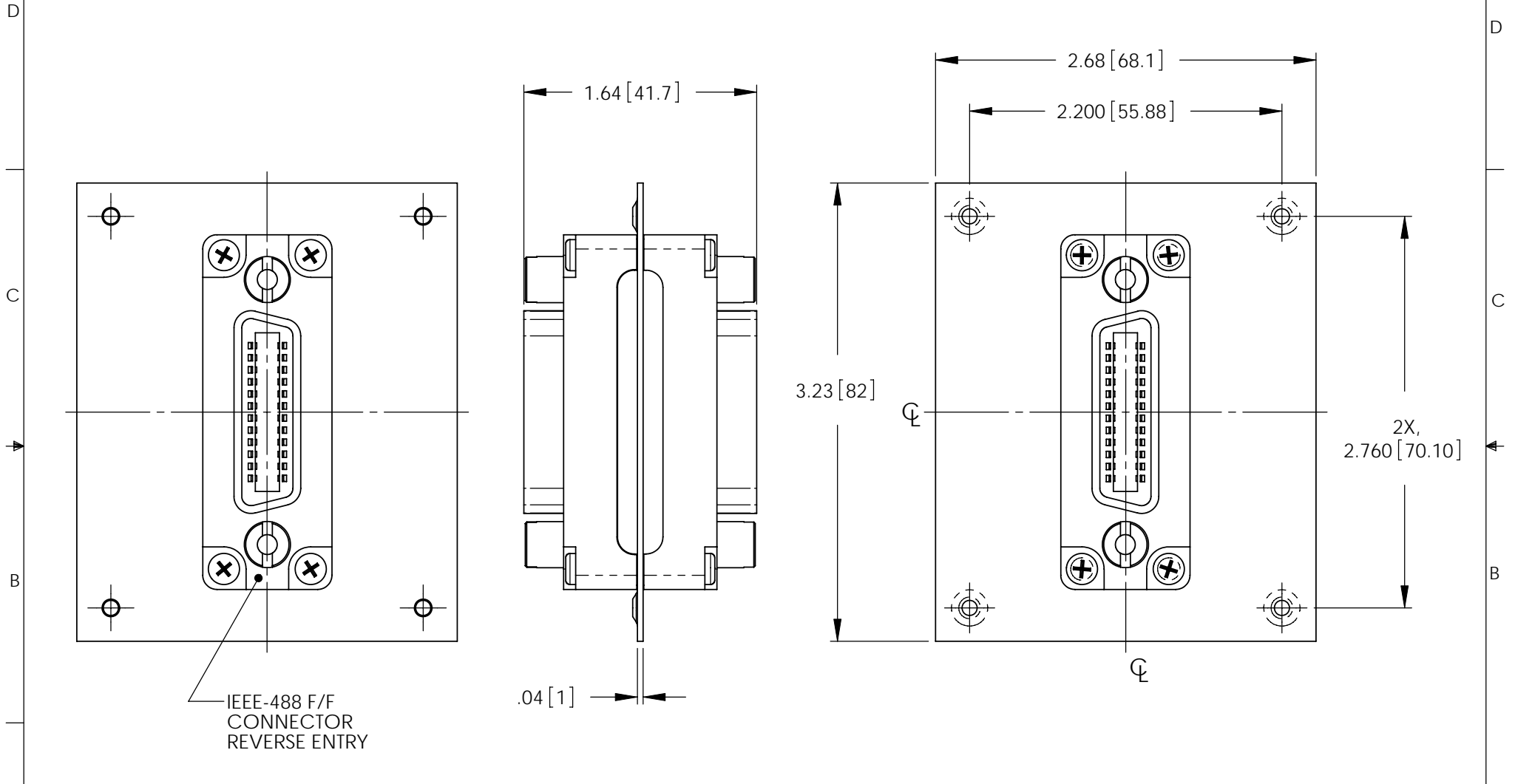


THE INFORMATION CONTAINED IN THIS DRAWING IS THE SOLE PROPERTY OF L-COM, INC. ANY REPRODUCTION IN PART OR WHOLE WITHOUT THE WRITTEN PERMISSION OF L-COM, INC. IS PROHIBITED.

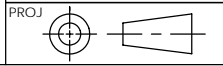
REVISIONS			
REV	DESCRIPTION	DATE	APPROVED
A	INITIAL RELEASE	3/20/07	D.FRISIELLO
B	ECN 2805: CHANGE PANEL THICKNESS TO .04 THK CRS	4/3/07	D.FRISIELLO



NOTES:

- PANEL MATERIAL: .04 [1.0] THK COLD ROLLED STEEL.
- PANEL FINISH: FLAT BLACK POWDER COAT.
- KIT CONTAINS 4, #6-32 UNC SCREWS.

DIMENSIONS ARE IN INCHES [mm]
 UNLESS OTHERWISE SPECIFIED,
 TOLERANCES TO BE:
 .X ± .1 [2.5] ANGLES ± 2°
 .XX ± .01 [0.25]
 .XXX ± .005 [0.13]
 OVERALL CABLE LENGTH TOL:
 ≤ 60 [1524] +3 [76.2] / - 0
 > 60 [1524] +5% / -0%



APPROVALS	DATE
DRAWN BY D.FRISIELLO	3/20/07
CHECKED BY P.McNEIL	3/20/07
APPROVED BY J.ROBERTS	3/20/07

CONFIGURATION DETAILS OF
 UNDIMENSIONED FEATURES
 MAY VARY

L-com CONNECTIVITY PRODUCTS		45 BEECHWOOD DRIVE NORTH ANDOVER, MA 01845	
CATEGORY		USP SUB PANEL	
PRODUCT DESCRIPTION			
USP SUB PANEL, IEEE-488 BULKHEAD COUPLER, REVERSE ENTRY			
SIZE	FSCM NO.	DWG. NO.	REV.
A	43321	USP24BFRB	B
SCALE: FULL		CAD FILE: USP24BFRB.SLDDRW	SHEET 1 OF 1