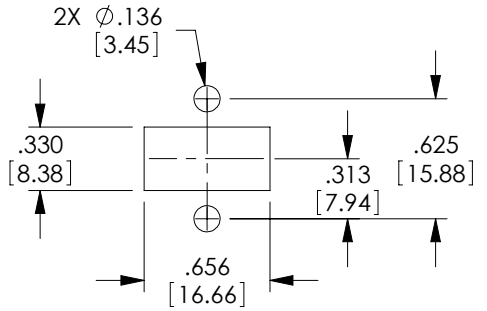
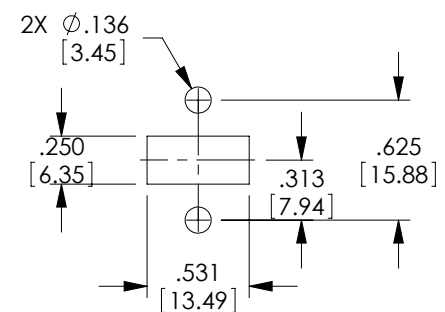


THE INFORMATION CONTAINED IN THIS DRAWING IS THE SOLE PROPERTY OF L-COM, INC. ANY REPRODUCTION IN PART OR WHOLE WITHOUT THE WRITTEN PERMISSION OF L-COM, INC. IS PROHIBITED.

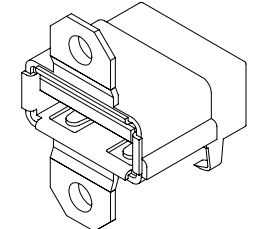
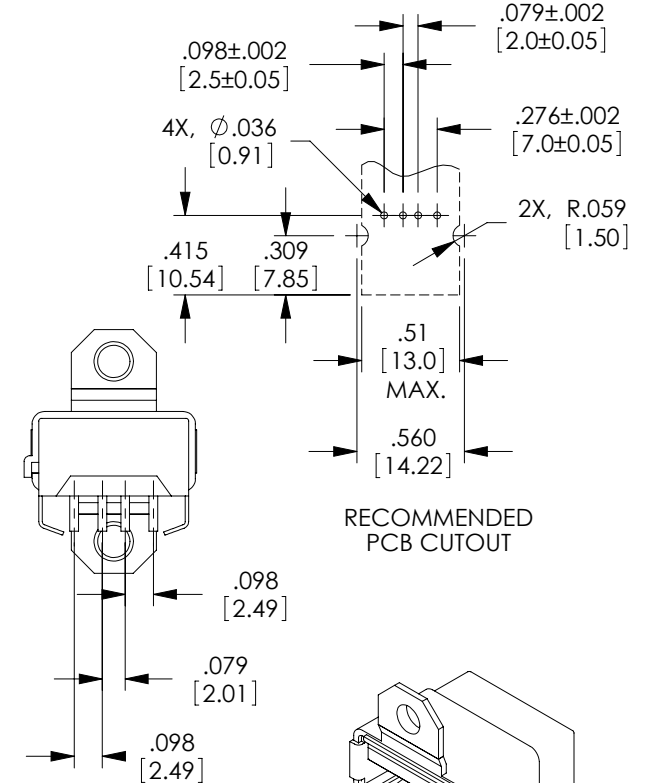
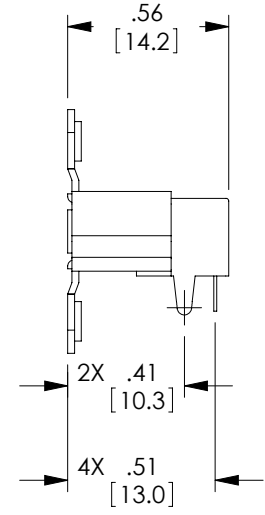
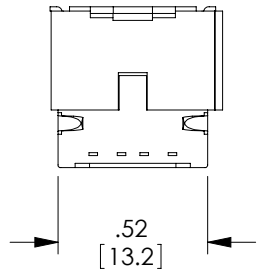
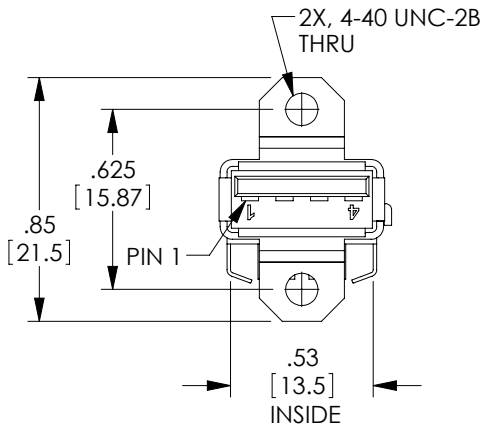
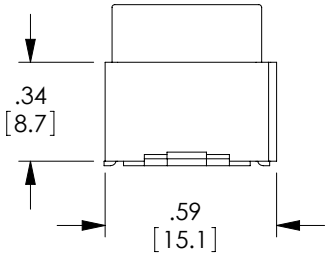
REVISIONS			
REV	DESCRIPTION	DATE	APPROVED
A	INITIAL RELEASE	12/16/11	D.GRIFFIN



RECOMMENDED  
PANEL MOUNTING  
(FOR PANELS .12 THICK OR MORE)



RECOMMENDED  
PANEL MOUNTING  
(FOR PANELS .11 THICK OR LESS)



RECOMMENDED  
PCB CUTOUT

**NOTES:**

**MATERIAL:**  
CONTACTS: BRASS  
INSULATOR: PBT, UL94V-0 RATED (WHITE)  
SHELL: BRASS

**FINISH:**  
CONTACT: 30µ INCH SELECTIVE GOLD  
SHELL: NICKEL

**ELECTRICAL CHARACTERISTICS:**  
CONTACT CURRENT RATING: 1.5 AMPERES.  
DIELECTRIC WITHSTANDING VOLTAGE: AC 500V R.M.S.  
INSULATION RESISTANCE: 1000 MEGOHMS MINIMUM  
CONTACT RESISTANCE: 30 MILLIOHMS MAXIMUM  
OPERATING TEMPERATURE: -55°C +85°C.

ALL DIMENSIONS ARE FOR REFERENCE ONLY.

COMPONENT SHALL BE PACKAGED IN QUANTITY OF 10 PER BAG IN ACCORDANCE WITH L-COM SPECIFICATION PS-0031.

**RoHS Compliant** ✓

UNLESS OTHERWISE SPECIFIED, DIMENSIONS ARE IN INCHES [mm] OVERALL CABLE LENGTH TOLERANCE: ≤12 [305] = +1 [25] / -0 >12 [305] ≤60 [1524] = +2 [51] / -0 >60 [1524] ≤120 [3048] = +4 [102] / -0 >120 [3048] ≤300 [7620] = +6 [152] / -0 >300 [7620] = +3% / -0%	APPROVALS	DATE		45 BEECHWOOD DRIVE NORTH ANDOVER, MA 01845
	DRAWN BY D.FRISIELLO	11/30/11		
ALL OTHER DIMENSIONAL TOLERANCES: .X = ±.2 .XX = ±.02 .XXX = ±.005	CHECKED BY D.PARHAM	11/30/11	CATEGORY USB	
	APPROVED BY S.SMITH	11/30/11	PRODUCT DESCRIPTION USB 2.0 A PANEL MNT PCB CONN	
PROJECTION 	CONFIGURATION DETAILS OF UNDIMENSIONED FEATURES MAY VARY	COLOR VARIATIONS MAY OCCUR	SIZE <b>A</b>	FSCM NO. <b>43321</b>
			DWG. NO. UC-A-PMT	REV. <b>A</b>
			SCALE: NONE	CAD FILE: UC-A-PMT.SLDDRW
				SHEET 1 OF 1