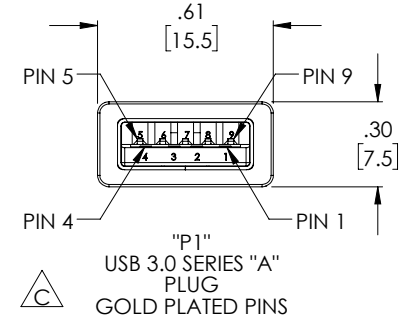
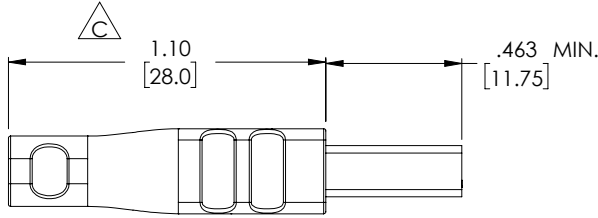
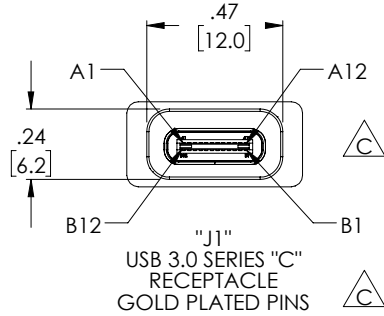
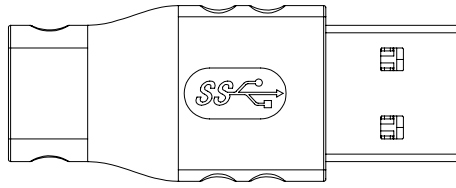


THE INFORMATION CONTAINED IN THIS DRAWING IS THE SOLE PROPERTY OF L-COM, INC. ANY REPRODUCTION IN PART OR WHOLE WITHOUT THE WRITTEN PERMISSION OF L-COM, INC. IS PROHIBITED.

REVISIONS			
REV	DESCRIPTION	DATE	APPROVED
A	INITIAL RELEASE	7/21/16	D.GRIFFIN
B	ECN 8429 : UPDATE WIRE MAP	7/27/16	S.LI
C	ECN 9888:UPT PIN FINISH&OVERMOLD DIM, J1 ROTATE 180°, CORR DESC TO USB3.0	06/05/19	B.GATES



WIRE MAP			
"J1"	SIGNAL NAME	"P1"	SIGNAL NAME
A1,B1,A12,B12	GND	4	GND
A4,B4,A9,B9	VBus	7	GND_DRAIN
A5	CC	1	VBus
B5	VCONN		N/C
A6, B6	Dp1	3	D+
A7, B7	Dn1	2	D-
A2	SSTXp1	9	StdA_SSTX+
A3	SSTXn1	8	StdA_SSTX-
B11	SSRXp1	6	StdA_SSRX+
B10	SSRXn1	5	StdA_SSRX-
SHELL	SHIELD	SHELL	SHIELD



NOTES:

- ADAPTER SHALL HAVE 360° SHIELD TERMINATION.
- ADAPTER SHALL BE TESTED FOR CONTINUITY.
- ADAPTER SHALL BE INDIVIDUALLY PACKAGED IN ACCORDANCE WITH L-COM SPECIFICATION PS-0031.

REGULATORY COMPLIANCE:

EU RoHS DIRECTIVE (MOST RECENT RELEASED VERSION)

UNLESS OTHERWISE SPECIFIED, DIMENSIONS ARE IN INCHES [mm] OVERALL CABLE LENGTH TOLERANCE: ≤12 [305] = +1 [25] / -0 >12 [305] ≤60 [1524] = +2 [51] / -0 >60 [1524] ≤120 [3048] = +4 [102] / -0 >120 [3048] ≤300 [7620] = +6 [152] / -0 >300 [7620] = +3% / -0%	APPROVALS	DATE			50 HIGH STREET NORTH ANDOVER, MA 01845	
	DRAWN BY S.LI	07/14/2016				
ALL OTHER DIMENSIONAL TOLERANCES: .X = ± .2 [5.08] .XX = ± .02 [1.51] .XXX = ± .005 [1.13]	CHECKED BY B.ZHANG	07/14/2016	CATEGORY		USB	
	APPROVED BY S.PAN	07/14/2016	PRODUCT DESCRIPTION		ADPT,USB3.0 C-F/A-M	
PROJECTION	CONFIGURATION DETAILS OF UNDIMENSIONED FEATURES MAY VARY	COLOR VARIATIONS MAY OCCUR	SIZE A	FSCM NO. 43321	DWG. NO. UAD31AMCF	REV. C
			SCALE: NONE	CAD FILE: UAD31AMCF.SLDDRW	SHEET 1 OF 1	