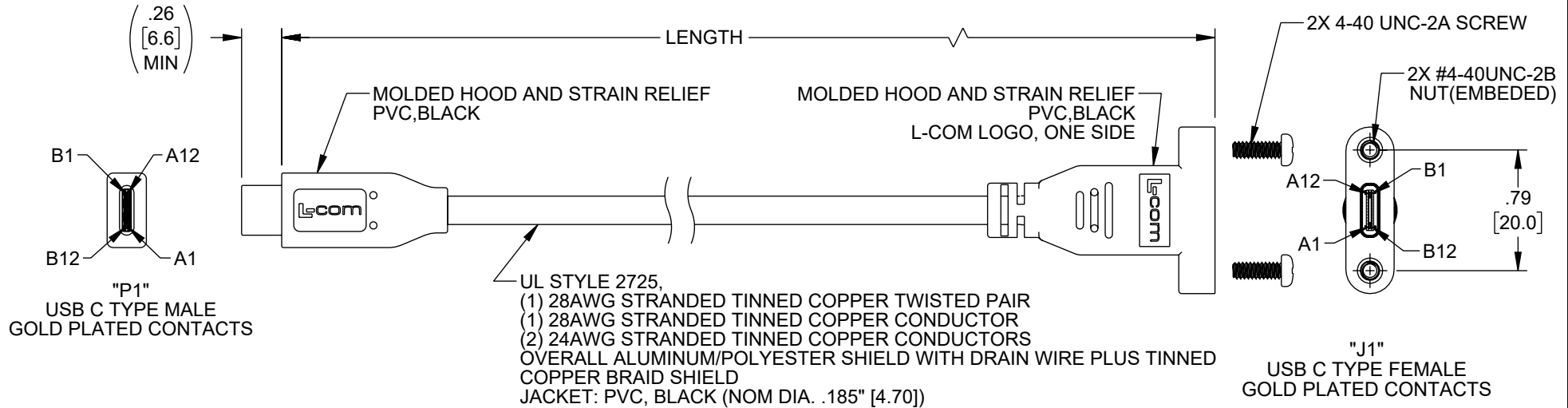


| REVISION | | | | | |
|----------|-----|-------------|------------|------------|----------|
| ZONE | REV | DESCRIPTION | DATE | CHANGED BY | APPROVED |
| | C | ECO-13924 | 10/10/2024 | KDANG | DUSTING |

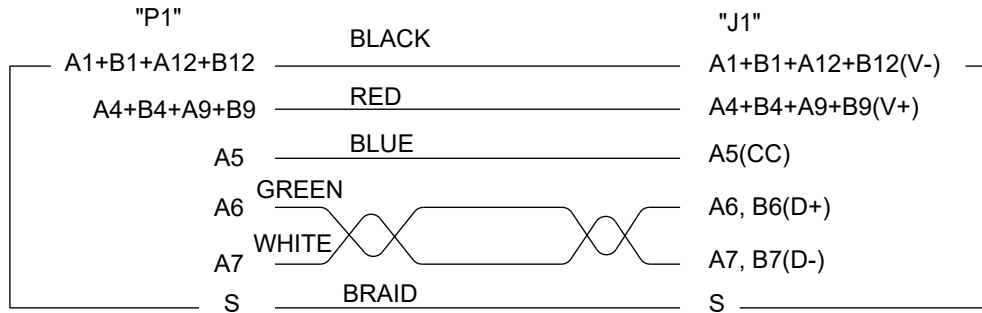


"P1"
USB C TYPE MALE
GOLD PLATED CONTACTS

UL STYLE 2725,
(1) 28AWG STRANDED TINNED COPPER TWISTED PAIR
(1) 28AWG STRANDED TINNED COPPER CONDUCTOR
(2) 24AWG STRANDED TINNED COPPER CONDUCTORS
OVERALL ALUMINUM/POLYESTER SHIELD WITH DRAIN WIRE PLUS TINNED
COPPER BRAID SHIELD
JACKET: PVC, BLACK (NOM DIA. .185" [4.70])

"J1"
USB C TYPE FEMALE
GOLD PLATED CONTACTS

WIRING DIAGRAM



| MODEL NUMBER | LENGTH | | |
|--------------|--------|------|-----------|
| | METERS | FEET | TOL. (IN) |
| U3A00056-03M | 0.3 | 0.98 | +/- 1.18 |
| U3A00056-05M | 0.5 | 1.64 | +/- 1.18 |
| U3A00056-1M | 1.0 | 3.28 | +/- 1.18 |
| U3A00056-2M | 2.0 | 6.56 | +/- 1.97 |
| U3A00056-3M | 3.0 | 9.84 | +/- 1.97 |

NOTES

- ELECTRICAL:**
VOLTAGE TEST: DC 300V 10ms
INSULATION RESISTANCE: 10.0M Ω, MIN
CONDUCTANCE RESISTANCE: 5.0 Ω, MAX.
- MOUNTING HARDWARE INCLUDED: 2X #4-40 SCREW
- CABLE ASSEMBLY SHALL BE TESTED FOR CONTINUITY.
- COMPONENT SHALL BE INDIVIDUALLY PACKAGED IN ACCORDANCE WITH L-COM SPECIFICATION LSP-010.

REGULATORY COMPLIANCE:
EU RoHS DIRECTIVE (MOST RECENT RELEASED VERSION)

THE INFORMATION CONTAINED IN THIS DRAWING IS THE SOLE PROPERTY OF INFINITE ELECTRONICS, INC. ANY REPRODUCTION IN PART OR WHOLE WITHOUT THE WRITTEN PERMISSION OF INFINITE ELECTRONICS, INC. IS PROHIBITED. THESE COMMODITIES, TECHNOLOGY OR SOFTWARE WERE EXPORTED FROM THE UNITED STATES IN ACCORDANCE WITH THE EXPORT ADMINISTRATION REGULATIONS. DIVERSION CONTRARY TO U.S. LAW PROHIBITED.

UNLESS OTHERWISE SPECIFIED
LEADING DIMENSIONS ARE INCHES
DIMENSIONS IN [] ARE MILLIMETERS

TOLERANCES:

| | |
|---------------------|-------------|
| X = ±.2 [5] | FRACTIONS |
| .XX = ±.02 [0.5] | ± 1/32 |
| .XXX = ±.005 [0.13] | ANGLES ± 1° |

CABLE LENGTH TOLERANCES:

| | |
|--------------------------|-----------------|
| ≤12 [305] | = +1 [25] / -0 |
| >12 [305] ≤ 60 [1524] | = +2 [51] / -0 |
| >60 [1524] ≤ 120 [3048] | = +4 [102] / -0 |
| >120 [3048] ≤ 300 [7620] | = +6 [152] / -0 |
| >300 [7620] | = +5% / -0 |

ALL DIMENSIONS ARE FOR REFERENCE ONLY
AND SUBJECT TO CHANGE WITHOUT NOTICE.
UN-DIMENSIONED/NON-CRITICAL FEATURES
MAY VARY IN SIZE AND LOCATION
COLORS MAY VARY

an INFINIT@ brand

Website: www.L-com.com
Phone: 1.800.341.5266 | 1.978.682.6936

INTERPRET ALL DIMENSIONS AND TOLERANCES PER ASME Y14.5

| | |
|-------|--------|
| SCALE | SHEET |
| NONE | 1 OF 1 |

DESCRIPTION

CA USB-C PNL/USB-CM

| | | | | |
|------|-----------|----------|----------|-----|
| SIZE | CAGE CODE | DRAWN BY | ITEM NO. | REV |
| A | 43321 | JYOU | U3A00056 | C |