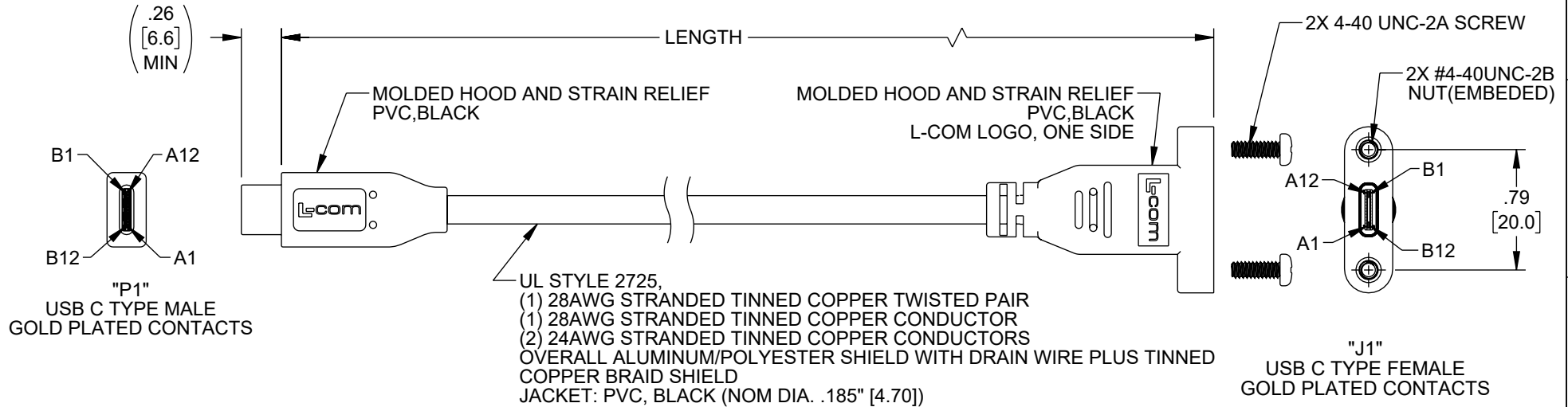
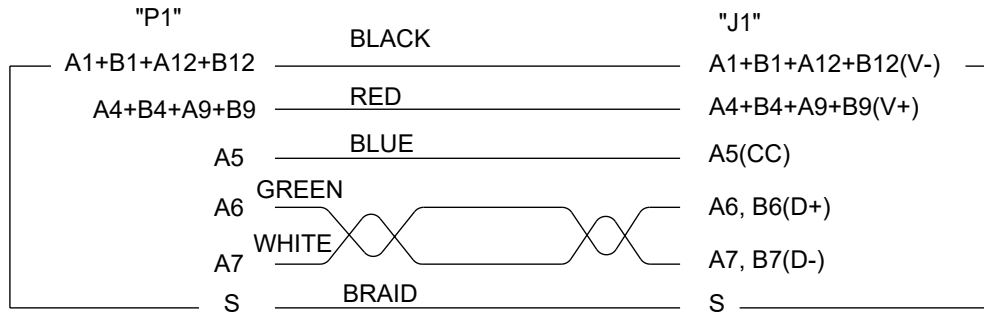


REVISION					
ZONE	REV	DESCRIPTION	DATE	CHANGED BY	APPROVED
	C	ECO-13924	10/10/2024	KDANG	DUSTING



WIRING DIAGRAM



MODEL NUMBER	LENGTH		
	METERS	FEET	TOL. (IN)
U3A00056-03M	0.3	0.98	+/- 1.18
U3A00056-05M	0.5	1.64	+/- 1.18
U3A00056-1M	1.0	3.28	+/- 1.18
U3A00056-2M	2.0	6.56	+/- 1.97
U3A00056-3M	3.0	9.84	+/- 1.97

NOTES

- ELECTRICAL:**
 VOLTAGE TEST: DC 300V 10ms
 INSULATION RESISTANCE: 10.0M Ω, MIN
 CONDUCTANCE RESISTANCE: 5.0 Ω, MAX.
- MOUNTING HARDWARE INCLUDED: 2X #4-40 SCREW
- CABLE ASSEMBLY SHALL BE TESTED FOR CONTINUITY.
- COMPONENT SHALL BE INDIVIDUALLY PACKAGED IN ACCORDANCE WITH L-COM SPECIFICATION LSP-010.

REGULATORY COMPLIANCE:
 EU RoHS DIRECTIVE (MOST RECENT RELEASED VERSION)

THE INFORMATION CONTAINED IN THIS DRAWING IS THE SOLE PROPERTY OF INFINITE ELECTRONICS, INC. ANY REPRODUCTION IN PART OR WHOLE WITHOUT THE WRITTEN PERMISSION OF INFINITE ELECTRONICS, INC. IS PROHIBITED. THESE COMMODITIES, TECHNOLOGY OR SOFTWARE WERE EXPORTED FROM THE UNITED STATES IN ACCORDANCE WITH THE EXPORT ADMINISTRATION REGULATIONS. DIVERSION CONTRARY TO U.S. LAW PROHIBITED.

UNLESS OTHERWISE SPECIFIED LEADING DIMENSIONS ARE INCHES DIMENSIONS IN [] ARE MILLIMETERS

TOLERANCES:

X = ±.2 [5]	FRACTIONS ± 1/32
.XX = ±.02 [0.5]	ANGLES ± 1°
.XXX = ±.005 [0.13]	

CABLE LENGTH TOLERANCES:

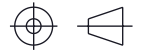
≤12 [305]	= +1 [25] / -0
>12 [305] ≤ 60 [1524]	= +2 [51] / -0
>60 [1524] ≤ 120 [3048]	= +4 [102] / -0
>120 [3048] ≤ 300 [7620]	= +6 [152] / -0
>300 [7620]	= +5% / -0

ALL DIMENSIONS ARE FOR REFERENCE ONLY AND SUBJECT TO CHANGE WITHOUT NOTICE. UN-DIMENSIONED/NON-CRITICAL FEATURES MAY VARY IN SIZE AND LOCATION. COLORS MAY VARY.



an INFINIT@ brand

Website: www.L-com.com
 Phone: 1.800.341.5266 | 1.978.682.6936



INTERPRET ALL DIMENSIONS AND TOLERANCES PER ASME Y14.5

SCALE	SHEET
NONE	1 OF 1

DESCRIPTION: **CA USB-C PNL/USB-CM**

SIZE	CAGE CODE	DRAWN BY	ITEM NO.	REV
A	43321	JYOU	U3A00056	C