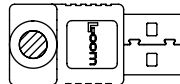
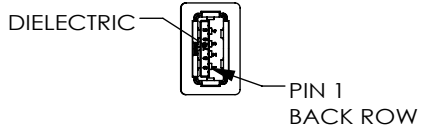


THE INFORMATION CONTAINED IN THIS DRAWING IS THE SOLE PROPERTY OF L-COM, INC. ANY REPRODUCTION IN PART OR WHOLE WITHOUT THE WRITTEN PERMISSION OF L-COM, INC. IS PROHIBITED.

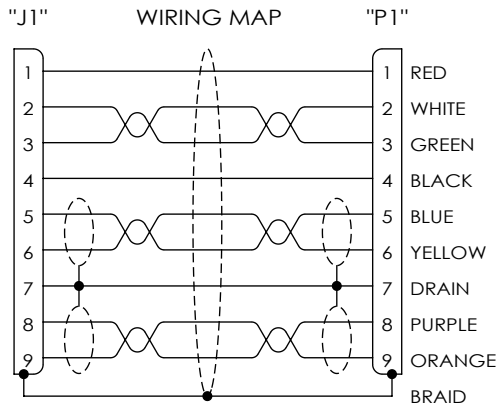
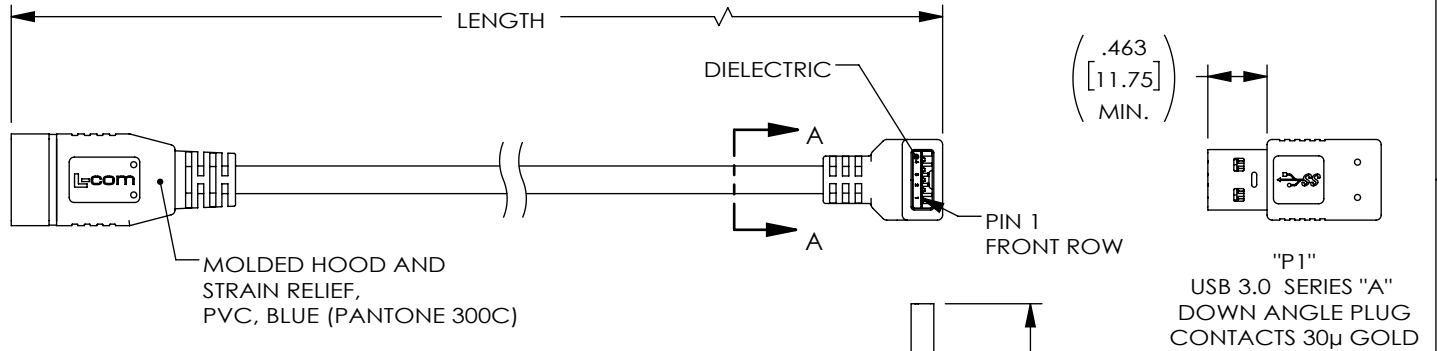


SECTION A-A

REVISIONS			
REV	DESCRIPTION	DATE	APPROVED
A	REV A DRAWING RELEASED	10/09/2018	SLI
B	ECN 10993: REMOVE .03M LENGTH FROM PART NUMBER TABULATION	02/19/2021	DGUTTADAURC



"J1"
USB 3.0 SERIES "A" JACK
CONTACTS 30μ GOLD



MOLDED HOOD AND STRAIN RELIEF, PVC, BLUE (PANTONE 300C)


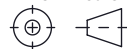
MOLDED HOOD AND STRAIN RELIEF, PVC, BLUE (PANTONE 300C)

PART NUMBER	LENGTH METERS [FEET]
U3A00055-05M	0.5 [1.64]
U3A00055-075M	0.75 [2.46]
U3A00055-1M	1.0 [3.28]

UL STYLE 20276,
(2) TWISTED PAIR, 30AWG WITH ALUM/POLY FOIL SHIELD AND DRAIN WIRE,
(1) UNSHIELDED TWISTED PAIR, 30AWG,
(2) CONDUCTORS, 24AWG,
OVERALL ALUMINUM/MYLAR AND BRAIDED SHIELD,
JACKET: PVC, BLUE (PANTONE 300C)
(NOM DIA. .217" [5.5])

NOTES:

1. CABLE ASSEMBLY SHALL HAVE 360° SHIELD TERMINATION.
2. CABLE ASSEMBLY MUST MEET USB 3.0 REQUIREMENTS.
3. CABLE ASSEMBLY SHALL BE TESTED FOR CONTINUITY.
4. CABLE ASSEMBLY SHALL BE INDIVIDUALLY PACKAGED IN ACCORDANCE WITH L-COM SPECIFICATION PS-0031.

UNLESS OTHERWISE SPECIFIED, DIMENSIONS ARE IN INCHES [mm]		APPROVALS		DATE		 an INFINIT® brand		50 High Street, West Mill, North Andover, MA 01845 USA. Phone: 1.800.341.5266 1.978.682.6936	
OVERALL CABLE LENGTH TOLERANCE: ≤12 [305] = +1 [25] / -0 >12 [305] ≤60 [1524] = +2 [51] / -0 >60 [1524] ≤120 [3048] = +4 [102] / -0 >120 [3048] ≤300 [7620] = +6 [152] / -0 >300 [7620] = +5% / -0		DRAWN BY SLI		07/20/2017				CATEGORY	
ALL OTHER DIMENSIONAL TOLERANCES: .X = ± .2 [5] FRACTIONS ± 1/32 .XX = ± .02 [.5] ANGLES ± 1° .XXX = ± .005 [.13]		CHECKED BY BZHANG		07/20/2017		PRODUCT DESCRIPTION		CA, USB3.0 A-F/90DN A-M	
THIRD-ANGLE PROJECTION		APPROVED BY SPAN		07/20/2017		CONFIGURATION DETAILS OF UNDIMENSIONED FEATURES MAY VARY		SIZE A	
		COLOR VARIATIONS MAY OCCUR		SCALE: NONE		CAGE CODE 43321		DWG. NO. U3A00055	
						CAD FILE: U3A00055.SLDDRW		REV. B	
								SHEET 1 OF 1	