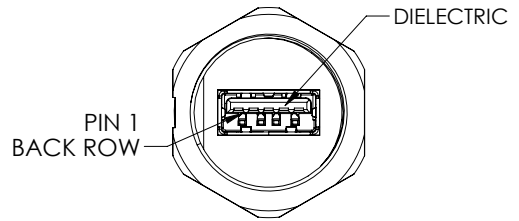
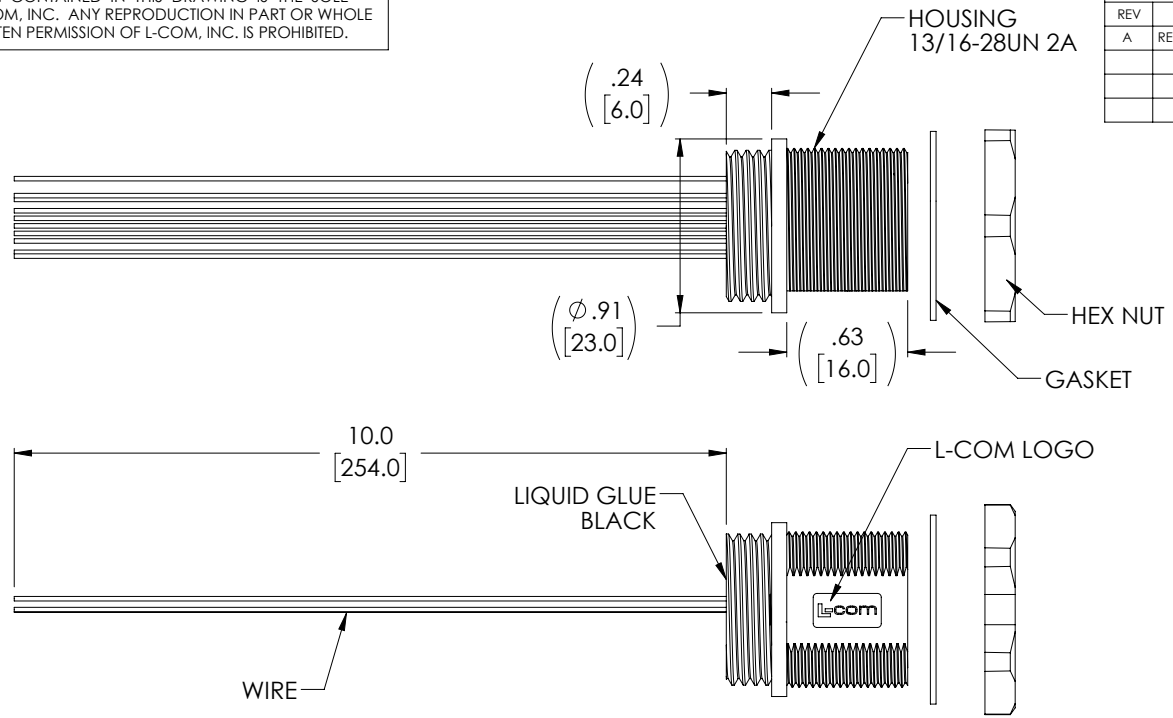
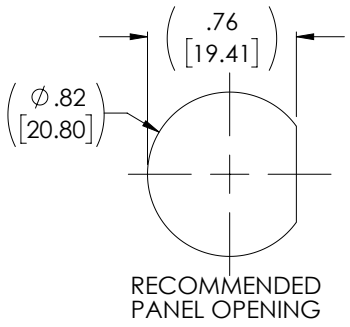


THE INFORMATION CONTAINED IN THIS DRAWING IS THE SOLE PROPERTY OF L-COM, INC. ANY REPRODUCTION IN PART OR WHOLE WITHOUT THE WRITTEN PERMISSION OF L-COM, INC. IS PROHIBITED.

REVISIONS			
REV	DESCRIPTION	DATE	APPROVED
A	REV A DRAWING RELEASED	01/22/2020	GUTTADAURO


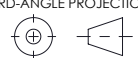


"J1"
USB 3.0
TYPE A JACK
WATERPROOF JACK



WIRING TABLE		
PIN#	COLOR	WIRE GAUGE
1	RED	24AWG
2	WHITE	28AWG
3	GREEN	28AWG
4	BLACK	24AWG
5	BLUE	28AWG
6	YELLOW	28AWG
7	YELLOW/GREEN	28AWG
8	PURPLE	28AWG
9	ORANGE	28AWG
SHELL	GRAY	24AWG

- NOTES:**
1. CABLE ASSEMBLY SHALL BE TESTED FOR CONTINUITY
 2. INGRESS PROTECTION RATING IS IP67 (J1 ONLY ,MATED)
 3. CABLE ASSEMBLY SHALL BE INDIVIDUALLY PACKAGED IN ACCORDANCE WITH L-COM SPECIFICATION PS-0031

UNLESS OTHERWISE SPECIFIED, DIMENSIONS ARE IN INCHES [mm] OVERALL CABLE LENGTH TOLERANCE: ≤12 [305] = +1 [25] / -0 >12 [305] ≤60 [1524] = +2 [51] / -0 >60 [1524] ≤120 [3048] = +4 [102] / -0 >120 [3048] ≤300 [7620] = +6 [152] / -0 >300 [7620] = +5% / -0 ALL OTHER DIMENSIONAL TOLERANCES: .X = ± .2 [5] FRACTIONS ± 1/32 .XX = ± .02 [5] ANGLES ± 1° .XXX = ± .005 [13]	APPROVALS	DATE	 50 High Street, West Mill, North Andover, MA 01845 USA. Phone: 1.800.341.5266 1.978.682.6936
	DRAWN BY DCUI	01/19/2020	
THIRD-ANGLE PROJECTION	CHECKED BY SPAN	01/19/2020	CATEGORY
	APPROVED BY GUTTADAURO	01/19/2020	USB 3.0
	CONFIGURATION DETAILS OF UNDIMENSIONED FEATURES MAY VARY	PRODUCT DESCRIPTION	
	COLOR VARIATIONS MAY OCCUR	WP USB 3.0 AF WITH 10" WIRE LEADS	
SIZE A		CAGE CODE 43321	DWG. NO. U3A00025-10I
SCALE: NONE		CAD FILE: U3A00025-10I.SLDDRW	SHEET 1 OF 1