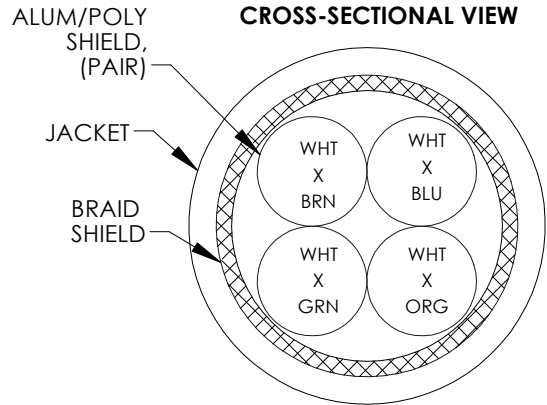
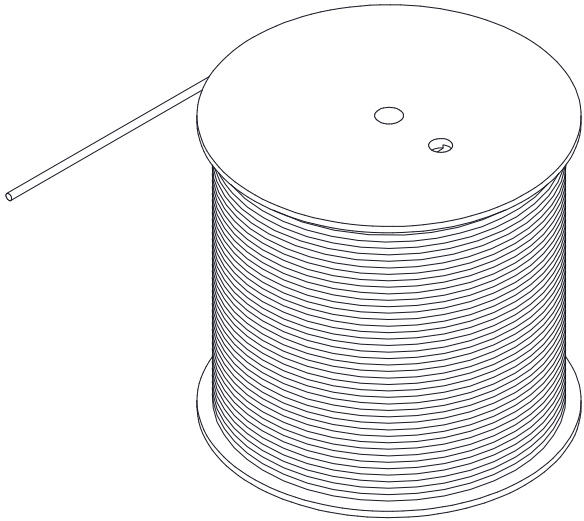


THE INFORMATION CONTAINED IN THIS DRAWING IS THE SOLE PROPERTY OF L-COM, INC. ANY REPRODUCTION IN PART OR WHOLE WITHOUT THE WRITTEN PERMISSION OF L-COM, INC. IS PROHIBITED.

REVISIONS			
REV	DESCRIPTION	DATE	APPROVAL
A	INITIAL RELEASE	01/21/2021	GUTTADAURO

TSFC7-XXX-XXXF CONSISTS OF A CONTINUOUS LENGTH OF BULK CABLE



CROSS-SECTIONAL VIEW

COLOR CODE
 WHITE/BLUE
 WHITE/ORANGE
 WHITE/GREEN
 WHITE/BROWN

NOTES:

1. CONSTRUCTION:

CONDUCTOR: 26 AWG STRANDED BARE COPPER
 INSULATION MATERIAL: FOAMED-PE
 PAIRS: COLOR CODED SINGLES TWISTED INTO PAIRS
 SHIELD(PAIR): AN ALUMINUM POLYESTER FOIL SHIELD, 25% OVERLAPPING (ALUMINUM OUTWARD)
 OUTER SHIELD: TINNED COPPER BRAID, 60% COVERAGE
 JACKET: PVC, COLOR SEE CHART

DIA: .042+/--.002[1.06+/--.05]

CABLE DIA: 0.236" +/- .008 [6.0 +/- 0.20mm]

2. PHYSICAL PROPERTIES:

OPERATING TEMPERATURE RATING: -10 °C TO +80 °C
 STORAGE TEMPERATURE RATING: -20 °C TO +80 °C
 FLAME TEST: IEC60332-1

3. ELECTRICAL CHARACTERISTICS:

VOLTAGE RATING: 30V
 DIELECTRIC STRENGTH: 500VAC/MINUTE
 INSULATION RESISTANCE(FOAMED-PE): 10MΩ-10m Min. AT 20 °C
 CONDUCTOR RESISTANCE(26AWG): 150Ω/KM Max. AT 20 °C

4. ENVIRONMENT PROTECT STANDARD:


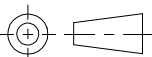
RoHS2.0 and REACH COMPLIANT

5. JACKET PRINT(WHITE INK ON BLACK JACKET, BLACK INK ON BLUE JACKET):

L-COM,INC WWW.L-COM.COM CAT.7 4PR 26AWG S/FTP PATCH CABLE PVC RoHS WW/YY

6. PACKAGE:

MODEL NUMBER	LENGTH	JACKET COLOR	PACKAGING
TSFC7-BLK-1000F	1000.0 FT	BLACK (RAL9005)	SPOOL
TSFC7-BLK-100F	100.0 FT	BLACK (RAL9005)	POLY BAG
TSFC7-BLK-500F	500.0 FT	BLACK (RAL9005)	SPOOL
TSFC7-BLU-1000F	1000.0FT	BLUE (RAL5017)	SPOOL
TSFC7-BLU-100F	100.0 FT	BLUE (RAL5017)	POLY BAG
TSFC7-BLU-500F	500.0FT	BLUE (RAL5017)	SPOOL

UNLESS OTHERWISE SPECIFIED, DIMENSIONS ARE IN INCHES [mm] OVERALL CABLE LENGTH TOLERANCE: ≤12 [305] = +1 [25] / -0 >12 [305] - 60 [1524] = +2 [51] / -0 >60 [1524] - 120 [3048] = +4 [102] / -0 >120[3048] - 300[7620] = +6 [152] / -0 >300[7620] = +5% / -0% ALL OTHER DIMENSIONAL TOLERANCES: .X = .2 [5.08] .XX = .02 [51] .XXX = .005 [13]	APPROVALS	DATE	 an INFINIT [®] brand 50 HIGH STREET NORTH ANDOVER, MA 01845
	DRAWN BY B.ZHANG	12/14/2020	
PROJECTION 	CHECKED BY GUTTADAURO	12/14/2020	CATEGORY TELECOM/MODULAR
	APPROVED BY GUTTADAURO	12/14/2020	PRODUCT DESCRIPTION CAT7 S/FTP 4PR/26 STR PVC JKT
	CONFIGURATION DETAILS OF UNDIMENSIONED FEATURES MAY VARY		
	COLOR VARIATIONS MAY OCCUR		SIZE A FSCM NO. 43321 DWG. NO. TSFC7 REV. A SCALE: NONE CAD FILE: TSFC7.SLDDRW SHEET 1 OF 1