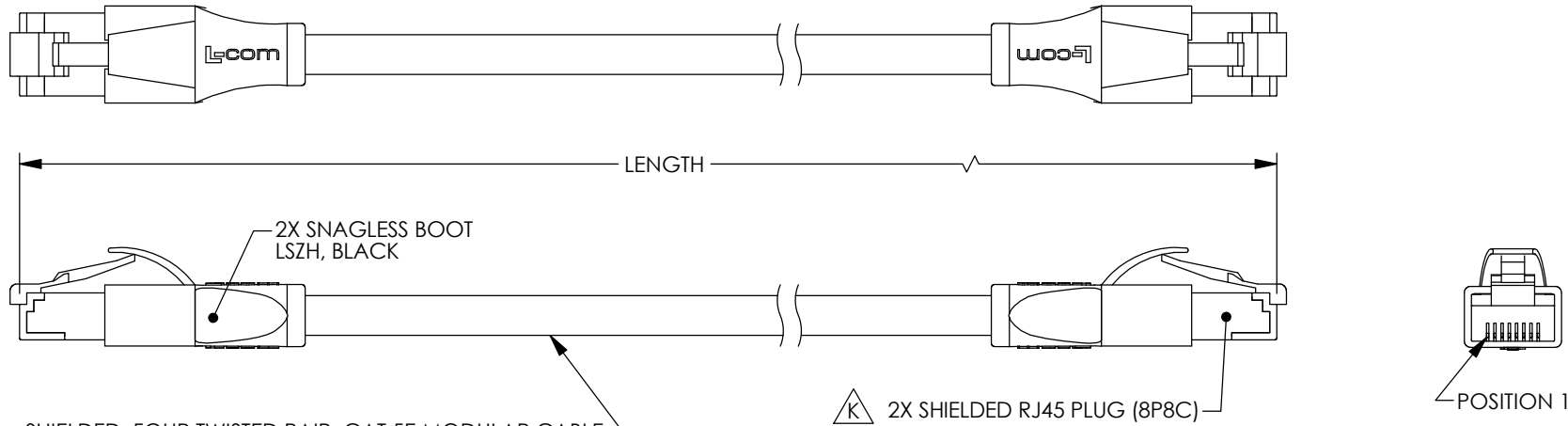


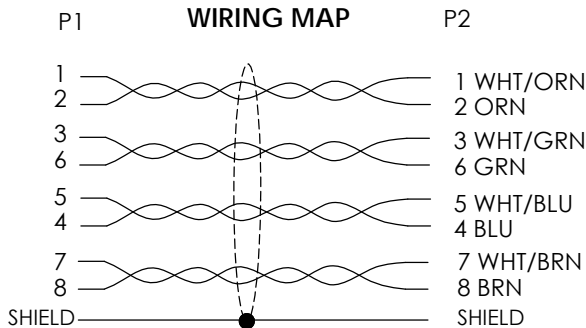
THE INFORMATION CONTAINED IN THIS DRAWING IS THE SOLE PROPERTY OF L-COM, INC. ANY REPRODUCTION IN PART OR WHOLE WITHOUT THE WRITTEN PERMISSION OF L-COM, INC. IS PROHIBITED.

REVISIONS			
REV	DESCRIPTION	DATE	APPROVED
G	ECN 3639: REMOVED SPOOL FROM PACKAGING NOTE	10/14/2008	DFRISIELLO
H	ECN 4475: CN RELEASE AND NEW FORMAT	01/05/2010	DFRISIELLO
J	ECN6378: NEW LOGO ON BOOTS. UPDATED PKG NOTE, REPLACES WIRING NOTE WITH DIAGRAM.	08/30/2012	BPUCHASKI
K	ECN 10563: REVISED CONNECTORS TO SHIELDED	07/30/2020	GUTTADAURO




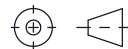
SHIELDED, FOUR TWISTED PAIR, CAT 5E MODULAR CABLE  
 CONDUCTORS: 26 AWG STRANDED COPPER  
 SHIELDING: ALUMINUM/ POLYESTER.  
 JACKET: LOW SMOKE ZERO HALOGEN, BLACK

PART NUMBER	LENGTH		PART NUMBER	LENGTH	
	FEET	METERS		FEET	METERS
TRD855SZ-1	1.0	.31	TRD855SZ-50	50.0	15.24
TRD855SZ-2	2.0	.61	TRD855SZ-60	60.0	18.29
TRD855SZ-3	3.0	.91	TRD855SZ-75	75.0	22.86
TRD855SZ-5	5.0	1.52	TRD855SZ-80	80.0	24.38
TRD855SZ-7	7.0	2.13	TRD855SZ-90	90.0	27.43
TRD855SZ-10	10.0	3.05	TRD855SZ-100	100.0	30.48
TRD855SZ-15	15.0	4.57	TRD855SZ-150	150.0	45.72
TRD855SZ-20	20.0	6.10	TRD855SZ-200	200.0	60.96
TRD855SZ-25	25.0	7.62	TRD855SZ-250	250.0	76.20
TRD855SZ-30	30.0	9.14	TRD855SZ-300	300.0	91.44
TRD855SZ-40	40.0	12.19			



**NOTES:**

1. PLUG CONFORMS TO TIA-1096.
2. OPERATING TEMPERATURE RANGE: -20°C TO +60°C.
3. CABLE ASSEMBLY SHALL BE TESTED FOR CONTINUITY.
4. CABLE ASSEMBLY SHALL BE INDIVIDUALLY PACKAGED IN ACCORDANCE WITH L-COM SPECIFICATION PS-0031.

UNLESS OTHERWISE SPECIFIED, DIMENSIONS ARE IN INCHES [mm] OVERALL CABLE LENGTH TOLERANCE: ≤12 [305] = +1 [25] / -0 >12 [305] ≤60 [1524] = +2 [51] / -0 >60 [1524] ≤120 [3048] = +4 [102] / -0 >120 [3048] ≤300 [7620] = +6 [152] / -0 >300 [7620] = +5% / -0 ALL OTHER DIMENSIONAL TOLERANCES: .X = ± .2 [5]   FRACTIONS ± 1/32 .XX = ± .02 [.5]   ANGLES ± 1° .XXX = ± .005 [.13]	APPROVALS	DATE	 50 High Street, West Mill, North Andover, MA 01845 USA. Phone: 1.800.341.5266 1.978.682.6936
	DRAWN BY D.PARHAM	05/03/2001	
	CHECKED BY Z.W.	05/04/2001	PRODUCT DESCRIPTION CBL RJ45 CAT5E SHLD LSZH
	APPROVED BY R.CARRICK	05/07/2001	
THIRD-ANGLE PROJECTION 	CONFIGURATION DETAILS OF UNDIMENSIONED FEATURES MAY VARY	COLOR VARIATIONS MAY OCCUR	SIZE <b>A</b>   CAGE CODE <b>43321</b>   ITEM NO. <b>TRD855SZ</b>   REV. <b>K</b> SCALE: NONE   CAD FILE: TRD855SZ.SLDDRW   SHEET 1 OF 1