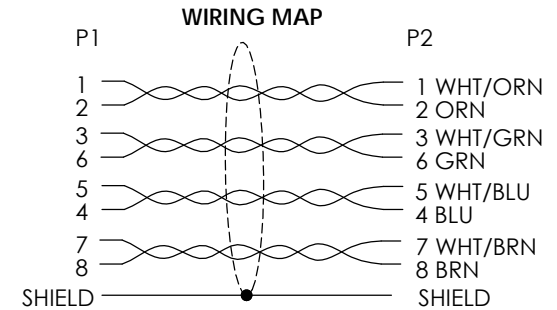
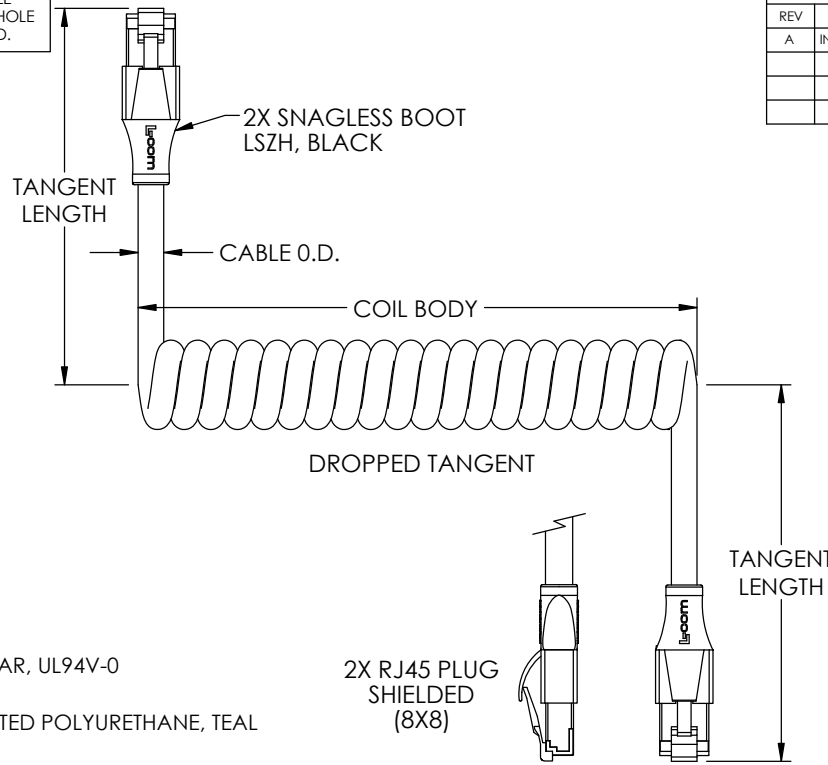


THE INFORMATION CONTAINED IN THIS DRAWING IS THE SOLE PROPERTY OF L-COM, INC. ANY REPRODUCTION IN PART OR WHOLE WITHOUT THE WRITTEN PERMISSION OF L-COM, INC. IS PROHIBITED.

REVISIONS			
REV	DESCRIPTION	DATE	APPROVED
A	INITIAL RELEASE	11/11/2019	DGUTTADAUR



**NOTES:**

**1. MATERIAL:**

PLUG HOUSING: POLYCARBONATE, CLEAR, UL94V-0  
 CONTACTS: PHOSPHOR BRONZE  
 CABLE JACKET: ZERO HALOGEN FIRE RATED POLYURETHANE, TEAL

**2. FINISH:**

CONTACTS: 50 μINCHES GOLD IN CONTACT AREA OVER  
 100 μINCHES NICKEL PLATE OVERALL

**3. CABLE CHARACTERISTICS:**



CAT5e COIL CORD F/UTP HIGH FLEX ZERO HALOGEN POLYURETHANE  
 6X EXPANSION LENGTH DROPPED TANGENT  
 SHIELDED (4) TWISTED PAIRS TWISTED TOGETHER  
 26AWG STRANDED TINNED COPPER CONDUCTORS  
 JACKET: .045" NOM. WALL THICKNESS (PRESSURE) OVERALL DIAMETER .260" NOM.  
 OIL RESISTANT (IRM 902 OIL, 7 DAYS @ 100°C)  
 JACKET SMOKE GENERATION PER ASTM E662, NOM.  
 D<sub>s</sub>=251 (FLAMING,@4 MINUTES)  
 D<sub>s</sub>=16 (NON-FLAMING,@4 MINUTES)  
 APPROVED UL AWM STYLE 20352 (60C, 600V)

**4. MISCELLANEOUS:**

OPERATING TEMPERATURE RANGE: -40°C TO 60°C  
 CABLE ASSEMBLY TO BE TESTED FOR CONTINUITY.  
 CABLE ASSEMBLY TO BE INDIVIDUALLY PACKAGED IN ACCORDANCE WITH L-COM SPECIFICATION PS-0031.

**5. ALL DIMENSIONS ARE FOR REFERENCE ONLY**

PART NUMBER	CABLE O.D.	COIL BODY LENGTH	MAX TANGENT LENGTHS	MAX EXPANDED COIL LENGTH
TRD815SZ-CD-6-36IN	.260	0.5 FEET	0.5 FEET	3 FEET
TRD815SZ-CD-1-6F	.260	1 FEET	0.5 FEET	6 FEET
TRD815SZ-CD-2-12F	.260	2 FEET	0.5 FEET	12 FEET
TRD815SZ-CD-3-18F	.260	3 FEET	0.5 FEET	18 FEET
TRD815SZ-CD-4-24F	.260	4 FEET	0.5 FEET	24 FEET
TRD815SZ-CD-5-30F	.260	5 FEET	0.5 FEET	30 FEET
TRD815SZ-CD-6-36F	.260	6 FEET	0.5 FEET	36 FEET
TRD815SZ-CD-7-42F	.260	7 FEET	0.5 FEET	42 FEET
TRD815SZ-CD-8-48F	.260	8 FEET	0.5 FEET	48 FEET

UNLESS OTHERWISE SPECIFIED, DIMENSIONS ARE IN INCHES [mm]	APPROVALS	DATE	 50 High Street, West Mill, North Andover, MA 01845 USA. Phone: 1.800.341.5266 1.978.682.6936
	OVERALL CABLE LENGTH TOLERANCE: ≤12 [305] = +1 [25] / -0 >12 [305] ≤60 [1524] = +2 [51] / -0 >60 [1524] ≤120 [3048] = +4 [102] / -0 >120 [3048] ≤300 [7620] = +6 [152] / -0 >300 [7620] = +5% / -0	DRAWN BY BPUCHASKI 11/11/2019	
ALL OTHER DIMENSIONAL TOLERANCES: .X = ± .2 [5]   FRACTIONS ± 1/32 .XX = ± .02 [.5]   ANGLES ± 1° .XXX = ± .005 [.13]	APPROVED BY DGUTTADAUR 11/11/2019	CONFIGURATION DETAILS OF UNDIMENSIONED FEATURES MAY VARY	CATEGORY <b>TELECOM/MODULAR</b>
THIRD-ANGLE PROJECTION 	COLOR VARIATIONS MAY OCCUR	PRODUCT DESCRIPTION <b>CAT5e COIL CORD F/UTP HF ZHPUR 6x DT</b>	SCALE: NONE   CAD FILE: TRD815SZ-CD-X.SLDDRW   SHEET 1 OF 1
	SIZE <b>A</b>	CAGE CODE <b>43321</b>	DWG. NO. <b>TRD815SZ-CD-X</b>