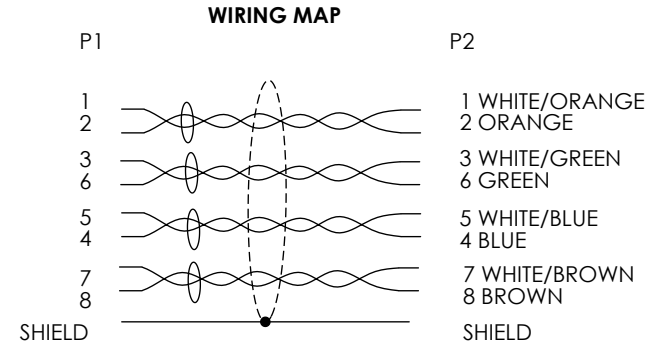
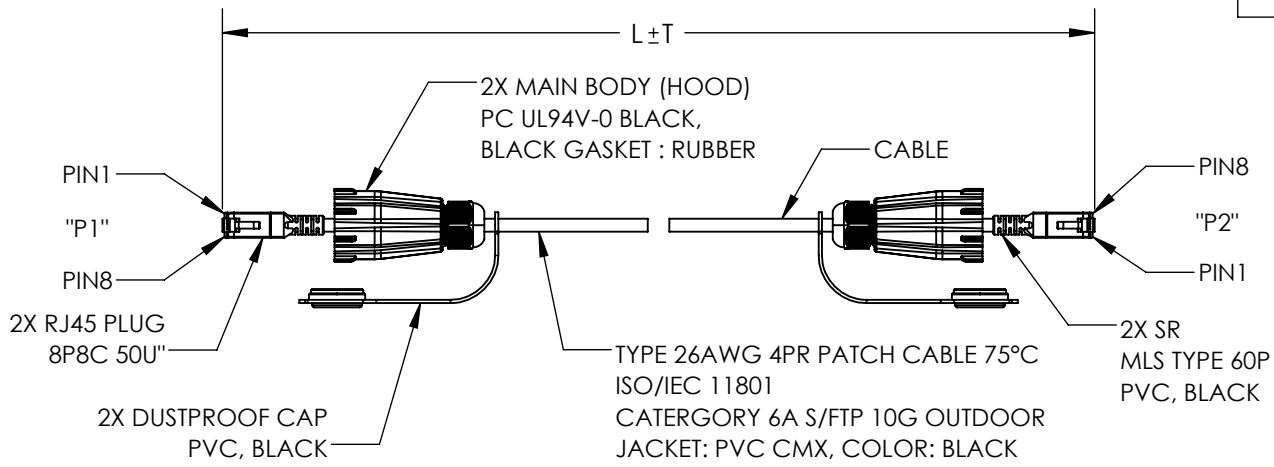


THE INFORMATION CONTAINED IN THIS DRAWING IS THE SOLE PROPERTY OF L-COM, INC. ANY REPRODUCTION IN PART OR WHOLE WITHOUT THE WRITTEN PERMISSION OF L-COM, INC. IS PROHIBITED.

REVISIONS			
REV	DESCRIPTION	DATE	APPROVED
A	INITIAL RELEASE	06/13/22	GUTTADAURO



SPECIFICATION:

1. THE MATERIAL OF CORDS IS A KIND OF MULTICORE CORDS AND THEY MEET THE REQUIREMENTS STIPULATED IN TIA/EIA-568-C.2 ABOUT CAT6A OF PATCH CORDS.
2. SUPPORT 500 MHZ BROADBAND
3. MAX. CONDUCTOR DC RESISTANCE (Ω /KM) #26:149
4. MIN.INSULATION RESISTANCE (Ω -M) PE:100M
5. DIELECTRIC STRENGTH AC-500V/1 MIN

ELECTRIC REQUIREMENTS: (CABLE LENGTH: 100M)

1. CHARACTERISTIC IMPEDANCE(Z_0) : 85~ 115 Ω (1 ~ 500 MHZ)
2. DC. RESISTANCE CAPACITANCE UNBALANCE : 5 %
3. PAIR-TO-GROUND CAPACITANCE UNBALANCE : 330 PF/100M MAX
4. CONDUCTOR RESISTANCE : 14.0 Ω / 100M 20°C MAX
5. MUTUAL CAPACITANCE : 5600 PF/100M MAX
6. DIELECTRIC STRENGTH : 1.5KV AC/2SECS
7. NOMINAL VELOCITY OF PROPAGATION (NVP) : 76 %

TEMPERATURE RANGE:

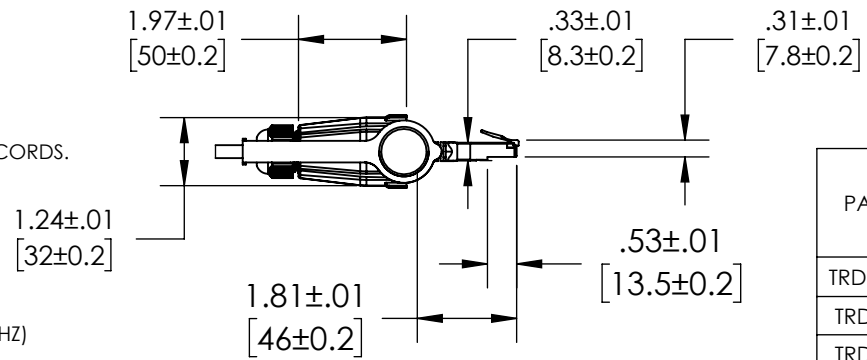
1. INSTALLATION TEMPERATURE : -10 ~ 50°C
2. STORAGE TEMPERATURE : -30 ~ 75°C

MISCELLANEOUS:


1. CABLE ASSEMBLY TO BE TESTED FOR CONTINUITY.
2. CABLE ASSEMBLY TO BE INDIVIDUALLY PACKAGED IN ACCORDANCE WITH L-COM SPECIFICATION PS-0031.

REGULATORY COMPLIANCE:

EU RoHS DIRECTIVE (MOST RECENT RELEASED VERSION)



PART NUMBER	COLOR	LENGTH METERS [FEET]	TOLERANCE INCH [mm]
TRD695AWB-05M	BLACK	0.5 [1.64]	±1.18 [±30]
TRD695AWB-1M	BLACK	1.0 [3.28]	±1.97 [±50]
TRD695AWB-2M	BLACK	2.0 [6.56]	±1.97 [±50]
TRD695AWB-3M	BLACK	3.0 [9.84]	±1.97 [±50]
TRD695AWB-5M	BLACK	5.0 [16.4]	±1.97 [±50]
TRD695AWB-7.5M	BLACK	7.5 [24.6]	±1.97 [±50]
TRD695AWB-10M	BLACK	10.0 [32.8]	±2.95 [±75]
TRD695AWB-15M	BLACK	15.0 [49.2]	±2.95 [±75]

UNLESS OTHERWISE SPECIFIED, DIMENSIONS ARE IN INCHES [mm] OVERALL CABLE LENGTH TOLERANCE: ≤12 [305] = +1 [25] / -0 >12 [305] ≤60 [1524] = +2 [51] / -0 >60 [1524] ≤120 [3048] = +4 [102] / -0 >120 [3048] ≤300 [7620] = +6 [152] / -0 >300 [7620] = +5% / -0 ALL OTHER DIMENSIONAL TOLERANCES: .X = ±.2 [5] FRACTIONS ± 1/32 .XX = ±.02 [5] ANGLES ± 1° .XXX = ±.005 [13]	APPROVALS	DATE	 an INFINITO® brand 50 High Street, West Mill, North Andover, MA 01845 USA. Phone: 1.800.341.5266 1.978.682.6936	
	DRAWN BY VTHANGARAJ	06/13/22		CATEGORY TELECOM/MODULAR PRODUCT DESCRIPTION Category 6a IP68 Waterproof Ethernet Cable Assembly
	CHECKED BY DFRISIELLO	06/13/22		
	APPROVED BY GUTTADAURO	06/13/22		
THIRD-ANGLE PROJECTION	CONFIGURATION DETAILS OF UNDIMENSIONED FEATURES MAY VARY	COLOR VARIATIONS MAY OCCUR	SIZE A CAGE CODE 43321 ITEM NO. TRD695AWB REV. A SCALE: NONE CAD FILE: TRD695AWB.SLDDRW SHEET 1 OF 1	