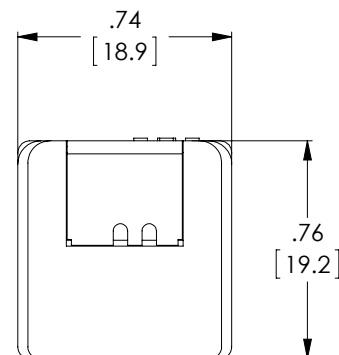
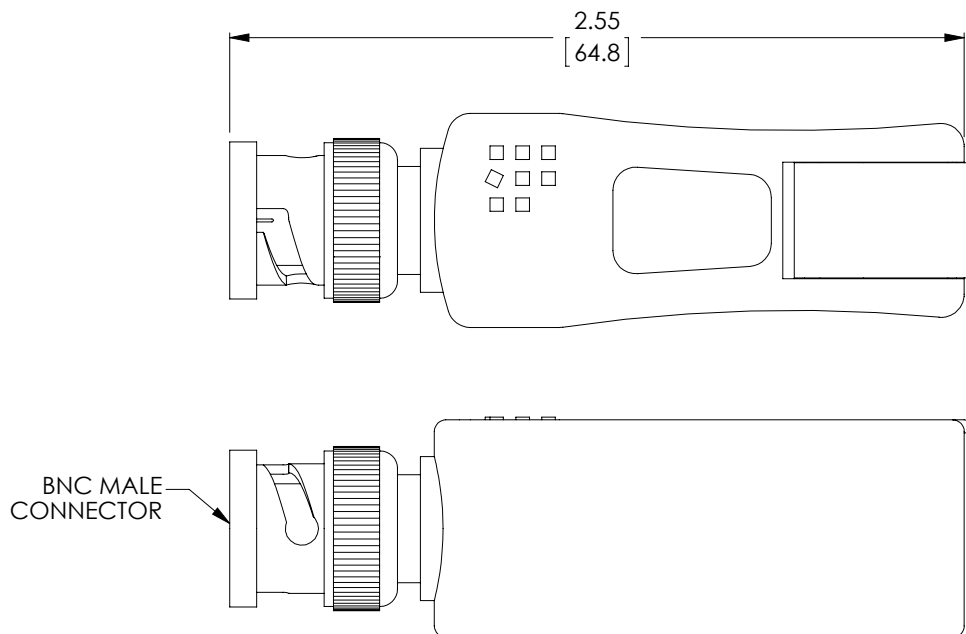


THE INFORMATION CONTAINED IN THIS DRAWING IS THE SOLE PROPERTY OF L-COM, INC. ANY REPRODUCTION IN PART OR WHOLE WITHOUT THE WRITTEN PERMISSION OF L-COM, INC. IS PROHIBITED.

**RoHS Compliant** ✓

REVISIONS			
REV	DESCRIPTION	DATE	APPROVED
A	INITIAL RELEASE	10/23/12	D.GRIFFIN



**NOTES:**

**MATERIAL:** FLAME RETARDANT PLASTIC, UL 94V-0

**ELECTRICAL:**

MAX INPUT: 1.1Vp-p  
 INSERTION LOSS: <1 dB, FREQUENCY RANGE FROM DC TO 8 MHz

**CABLE - BNC:**

IMPEDANCE: 75 OHMS AT 1MHz (RG59/U)  
 MAX. 25 FT COAX ALLOWED PER END TO END LINK

**CABLE - UTP:**

24AWG OR LOWER SOLID COPPER TWISTED PAIR WIRE  
 IMPEDANCE: 100 OHMS AT 1MHz  
 MAX. CAPACITANCE: 20pF/FOOT  
 ATTENUATION: 6.6dB/1000 FT AT 1 MHz


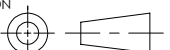
**ENVIRONMENTAL:**

OPERATING TEMPERATURE: 0 TO 55 °C

**MISCELLANEOUS:**

COMPONENT SHALL BE INDIVIDUALLY PACKAGED IN ACCORDANCE WITH L-COM SPECIFICATION PS-0031.

ALL DIMENSIONS ARE FOR REFERENCE ONLY

UNLESS OTHERWISE SPECIFIED, DIMENSIONS ARE IN INCHES [mm] OVERALL CABLE LENGTH TOLERANCE: ≤12 [305] = +1 [25] / -0 >12 [305] ≤60 [1524] = +2 [51] / -0 >60 [1524] ≤120 [3048] = +4 [102] / -0 >120 [3048] ≤300 [7620] = +6 [152] / -0 >300 [7620] = +3% / -0%	APPROVALS	DATE	 45 BEECHWOOD DRIVE NORTH ANDOVER, MA 01845		
	DRAWN BY D. DESJARDIN	10/17/12			
ALL OTHER DIMENSIONAL TOLERANCES: .X = ± .2 .XX = ± .02 .XXX = ± .005	CHECKED BY D. FRISIELLO	10/18/12	CATEGORY <b>AUDIO/VIDEO</b>		
	APPROVED BY S. SMITH	10/18/12			
PROJECTION 	CONFIGURATION DETAILS OF UNDIMENSIONED FEATURES MAY VARY	PRODUCT DESCRIPTION <b>TOOLESS VIDEO BALUN BNC MALE</b>			
COLOR VARIATIONS MAY OCCUR		SIZE <b>A</b>	FSCM NO. <b>43321</b>	DWG. NO. <b>TL-VB-BNC</b>	REV. <b>A</b>
		SCALE: NONE	CAD FILE: TL-VB-BNC.SLDDRW	SHEET 1 OF 1	