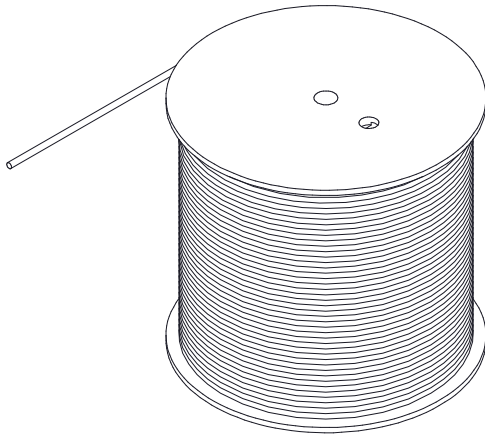


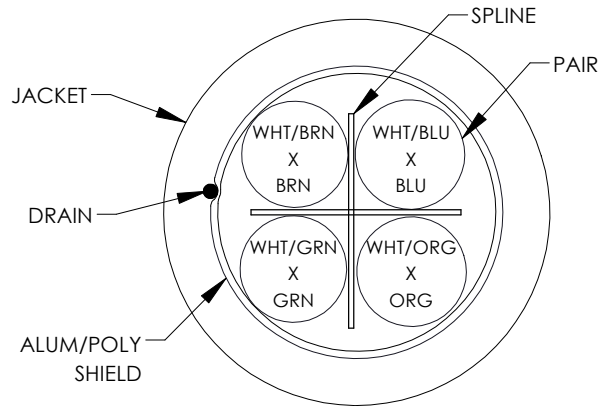
THE INFORMATION CONTAINED IN THIS DRAWING IS THE SOLE PROPERTY OF L-COM, INC. ANY REPRODUCTION IN PART OR WHOLE WITHOUT THE WRITTEN PERMISSION OF L-COM, INC. IS PROHIBITED.

REVISIONS			
REV	DESCRIPTION	DATE	APPROVAL
A	INITIAL RELEASE PER ECAS230068	04/20/2023	WLI

TFXC6A26 CONSISTS OF 1000FEET OF CONTINUOUS LENGTH OF BULK CABLE



**CROSS-SECTIONAL VIEW**



**COLOR CODE**  
 BLUE x WHITE/BLUE  
 ORANGE x WHITE/ORANGE  
 GREEN x WHITE/GREEN  
 BROWN x WHITE/BROWN

**NOTES:**

- CONSTRUCTION:**  
 CONDUCTOR: 26 AWG 7/34 STRANDED BARE COPPER  
 INSULATION: HIGH-DENSITY POLYETHYLENE .007" NOM. WALL THICKNESS  
 PAIRS: COLOR CODED SINGLES TWISTED INTO PAIRS  
 CABLE CORE: (4) TWISTED PAIRS TWISTED TOGETHER WITH A CENTRAL SPLINE TO FORM A CABLE CORE  
 SHIELD: AN ALUMINIZED POLYESTER FOIL SHIELD (FOIL OUTSIDE) WITH A 26AWG 7/34 STRANDED TINNED COPPER DRAIN WIRE SHALL BE APPLIED OVER THE CABLE CORE  
 JACKET: POLYVINYLCHLORIDE, COLOR: SEE TABLE, .023" NOM. WALL THICKNESS OVERALL CABLE DIAMETER


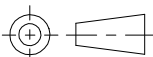
NOM. DIA.  
 .037 ±.002 [.93 ±.05]

.236 ±.008[6.0 ±.20]

- PHYSICAL PROPERTIES:**  
 TEMPERATURE RATING, MAX: +75 °C  
 TEMPERATURE RATING, MIN: -20 °C
- ELECTRICAL CHARACTERISTICS:**  
 VOLTAGE RATING, MAX.: 300V  
 D.C. RESISTANCE, MAX.: 140 OHM/1KM AT 20 °C  
 DIELECTRIC WITHSTANDING, MIN: 1500VAC/2 SECOND  
 CHARACTERISTIC IMPEDANCE: 100 ± 15 OHM(1-100 MHz); 100 ± 20 OHM(00-500 MHz)  
 TRANSMISSION PERFORMANCE: TIA FLUKE CAT6A PATCH CORD TEST 1~10 METERS

- AGENCY APPROVALS:**  
 RoHS COMPLIANT
- JACKET PRINT:**  
 E329097 (UL) CMX 75°C 4PR 26AWG F/UTP PVC PATCH CABLE --- CAT6A ANSI/TIA-568.2-D -- RoHS --
- PACKAGING:**  
 CABLE SHIPPED ON A REEL

ITEM NUMBER	JACKET COLOR	ITEM NUMBER	JACKET COLOR
TFXC6A26-BLU	BLUE	TFXC6A26-RED	RED
TFXC6A26-GRN	GREEN	TFXC6A26-YLW	YELLOW
TFXC6A26-GRY	GRAY	TFXC6A26-BLK	BLACK

UNLESS OTHERWISE SPECIFIED, DIMENSIONS ARE IN INCHES [mm] OVERALL CABLE LENGTH TOLERANCE: ≤12 [305] = +1 [25] / -0 >12 [305] - 60 [1524] = +2 [51] / -0 >60 [1524] - 120 [3048] = +4 [102] / -0 >120 [3048] - 300 [7620] = +6 [152] / -0 >300 [7620] = +5% / -0% ALL OTHER DIMENSIONAL TOLERANCES: .X = .2 [5.08] .XX = .02 [1.51] .XXX = .005 [1.13]	APPROVALS	DATE	 50 High Street, West Mill, North Andover, MA 01845 USA. Phone: 1.800.341.5266 1.978.682.6936		
	DRAWN BY BZHANG	03/30/2023		CATEGORY <b>TELECOM/MODULAR</b>	
	CHECKED BY WLI	03/30/2023			
	APPROVED BY WLI	03/30/2023			
PROJECTION	CONFIGURATION DETAILS OF UNDIMENSIONED FEATURES MAY VARY		PRODUCT DESCRIPTION <b>C6A FTP 4PR/26 STR CMX PVC 1K FT</b>		
	COLOR VARIATIONS MAY OCCUR	SIZE <b>A</b>	FSCM NO. <b>43321</b>	DWG. NO. <b>TFXC6A26</b>	REV. <b>A</b>
SCALE: NONE		CAD FILE: TFXC6A26.SLDDRW		SHEET 1 OF 1	