

6

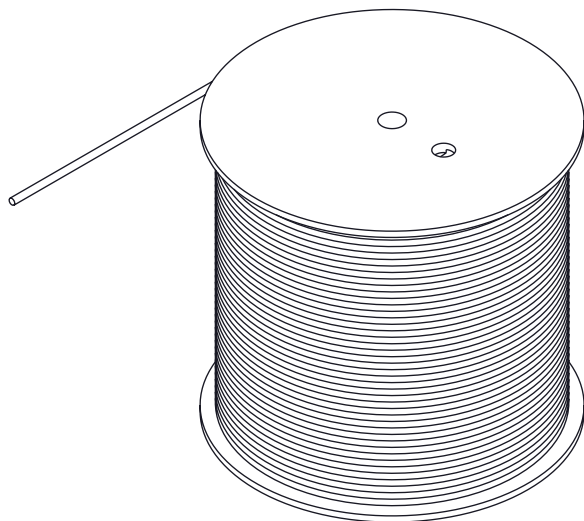
5

4

3

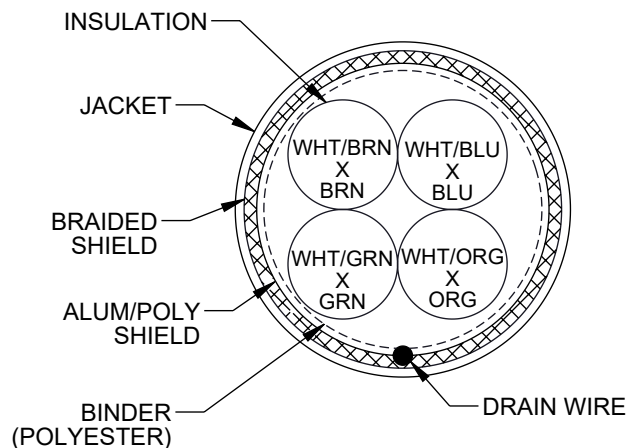
2

1



TFDL210X-XXX CONSISTS OF A CONTINUOUS LENGTH OF BULK CABLE

REVISION					
ZONE	REV	DESCRIPTION	DATE	CHANGED BY	APPROVED
	V	ECO-13688	06/07/2024	AKRESOWSKI	GUTTADAURO



CROSS-SECTIONAL VIEW

COLOR CODE
 BLUE x WHITE/BLUE
 ORANGE x WHITE/ORANGE
 GREEN x WHITE/GREEN
 BROWN x WHITE/BROWN

NOTES:

- CONSTRUCTION:
 CONDUCTOR: 24 AWG SOLID BARE COPPER
 INSULATION MATERIAL: HDPE
 O.D. .043 ± 0.002 [1.09 ± 0.05]
 PAIRS: COLOR CODED SINGLES TWISTED INTO PAIRS
 SHIELD: POLYESTER AND ALUMINUM/POLYESTER FOIL SHIELD,
 100% COVERAGE WITH 25% OVERLAPPING (ALUM OUTWARD)
 OUTER BRAID: TIN PLATED COPPER, 60% COVERAGE NOM.
 DRAIN WIRE: 24 AWG TINNED COPPER WIRE
 JACKET: LOW SMOKE ZERO HALOGEN (SEE COLOR CHART)
 NOMINAL DIA: .260 ± 0.006 [6.6 ± 0.015]
- PHYSICAL PROPERTIES:
 TEMPERATURE RATING: -20° C TO +75° C
 VOLTAGE RATING: 30V
- AGENCY APPROVALS: ANSI/TIA 568B.2; IEC 61156-5; ISO/IEC 11801; EN50173; CATEGORY 5E.
- REGULATORY COMPLIANCE:
 EU RoHS DIRECTIVE (MOST RECENT RELEASED VERSION).
- JACKET PRINT:
 "L-COM, INC WWW.L-COM.COM VERIFIED TO TIA/EIA-568-B.2
 CAT 5e 24AWG LSZH SF/UTP ROHS WW/YY"
- LSZH CHARACTERISTICS:
 FLAME RATING: IEC60332-1
 CORROSIVE GAS: IEC60754
 SMOKE EMISSION: IEC61034

ITEM NUMBER	LENGTH (FEET)	COLOR	PACKAGING
TFDL2104	1000	GRAY (RAL7044)	SPOOL
TFDL2104-100	100	GRAY (RAL7044)	POLY BAG
TFDL2104-500	500	GRAY (RAL7044)	SPOOL
TFDL2105	1000	BLACK (RAL9005)	SPOOL
TFDL2106	1000	RED (RAL3027)	SPOOL

THE INFORMATION CONTAINED IN THIS DRAWING IS THE SOLE PROPERTY OF INFINITE ELECTRONICS, INC. ANY REPRODUCTION IN PART OR WHOLE WITHOUT THE WRITTEN PERMISSION OF INFINITE ELECTRONICS, INC. IS PROHIBITED. THESE COMMODITIES, TECHNOLOGY OR SOFTWARE WERE EXPORTED FROM THE UNITED STATES IN ACCORDANCE WITH THE EXPORT ADMINISTRATION REGULATIONS. DIVERSION CONTRARY TO U.S. LAW PROHIBITED.

UNLESS OTHERWISE SPECIFIED
 LEADING DIMENSIONS ARE INCHES
 DIMENSIONS IN [] ARE MILLIMETERS

TOLERANCES:
 .X = ±.2 [5] FRACTIONS
 .XX = ±.02 [0.5] ± 1/32
 .XXX = ±.005 [0.13] ANGLES ± 1°

CABLE LENGTH TOLERANCES:
 ≤12 [305] = +1 [25] / -0
 >12 [305] ≤ 60 [1524] = +2 [51] / -0
 >60 [1524] ≤ 120 [3048] = +4 [102] / -0
 >120 [3048] ≤ 300 [7620] = +6 [152] / -0
 >300 [7620] = +5% / -0

ALL DIMENSIONS ARE FOR REFERENCE ONLY
 AND SUBJECT TO CHANGE WITHOUT NOTICE.
 UN-DIMENSIONED NON-CRITICAL FEATURES
 MAY VARY IN SIZE AND LOCATION
 COLORS MAY VARY

L-com
 an INFINIT@ brand

Website: www.l-com.com
 Phone: 1.800.341.5266 | 1.978.682.6936



INTERPRET ALL DIMENSIONS AND
 TOLERANCES PER ASME Y14.5

SCALE	SHEET
NONE	1 OF 1

DESCRIPTION
 BULK CABLE, CAT 5E, SHIELDED, FOILED TWISTED PAIRS,
 4-PR X 24 AWG, SOLID COND, LSZH

SIZE	CAGE CODE	DRAWN BY	ITEM NO.	REV
A	43321	DFRISIELLO	tfdl2104	V

6

5

4

3

2

1