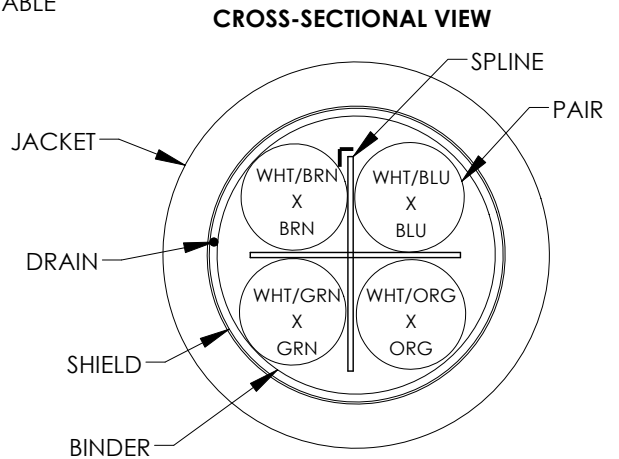
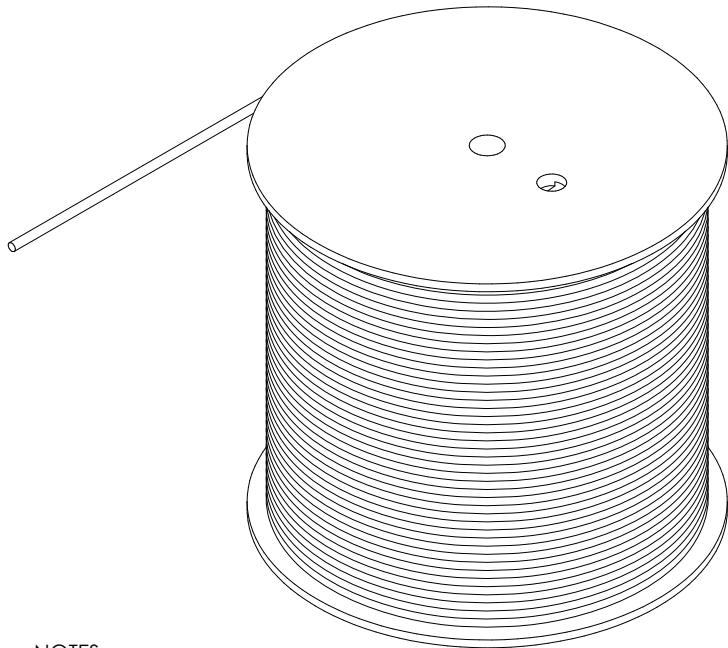


THE INFORMATION CONTAINED IN THIS DRAWING IS THE SOLE PROPERTY OF L-COM, INC. ANY REPRODUCTION IN PART OR WHOLE WITHOUT THE WRITTEN PERMISSION OF L-COM, INC. IS PROHIBITED.

REVISIONS			
REV	DESCRIPTION	DATE	APPROVAL
B	ECN 10744, UPT PER VENDOR SPEC, NEW FORMAT	10/23/2020	GUITADAURO
C	ECN 11118 UPDATE PER VENDOR SPEC	04/30/2021	GUITADAURO

TFCLS6005-BLK CONSISTS OF 1000FEET OF CONTINUOUS LENGTH OF BULK CABLE



COLOR CODE
 BLUE x WHITE/BLUE
 ORANGE x WHITE/ORANGE
 GREEN x WHITE/GREEN
 BROWN x WHITE/BROWN

NOTES:

- CONSTRUCTION:**
 CONDUCTOR: 26 AWG 7/34 STRANDED TINNED COPPER
 INSULATION: HIGH DENSITY POLYETHYLENE, .009" NOM. WALL THICKNESS
 PAIRS: COLOR CODED SINGLES TWISTED INTO PAIRS
 CABLE: (4) TWISTED PAIRS TWISTED TOGETHER WITH A CENTRAL SPLINE AND WRAPPED WITH A CLEAR POLYESTER BINDER TO FORM A CABLE CORE
 SHIELD: AN ALUMINIZED POLYESTER FOIL SHIELD (FOIL IN, 100% COVERAGE) WITH A 26AWG 7/34 STRANDED TINNED COPPER DRAIN WIRE IN CONTACT WITH METALIZED SURFACE SHALL BE APPLIED OVER THE CABLE CORE
 JACKET: LOW SMOKE ZERO HALOGEN, COLOR: BLACK, .032" NOM. WALL THICKNESS OVERALL CABLE DIAMETER
- PHYSICAL PROPERTIES:**
 TEMPERATURE RATING, MAX: +75 °C
 TEMPERATURE RATING, MIN: -20 °C
 FLAME RATING: VW-1
 CORROSIVE GAS: IEC 60754-2
 SMOKE EMISSION: IEC 61034-1&-2
 WT./M', NOM., NET.: 30.1 LBS
 BEND RADIUS, MIN., (STATIC, 1 BEND IN ASSEMBLY) 1"
- ELECTRICAL CHARACTERISTICS:** SEE SHEET 2
- AGENCY APPROVALS:**
 NEC (ETL) TYPE CMX
 CEC C(ETL) TYPE CMX
- APPLICATION:**
 SHIELDED FLEXIBLE PATCH/JUMPER CABLE TO SUPPORT SCREENED 568.2-D CATEGORY 6a APPLICATIONS.
 RoHS COMPLIANT MATERIALS
- JACKET PRINT (WHITE):**
 QUABBIN DATAMAX 6a F/UTP 100 OHM PATCH CORD P/N (MANUFACTURER P/N)--LOW SMOKE ZERO HALOGEN
 TIA-568.2-D CAT 6a--C(ETL) US TYPE CMX 75C 26AWG--VW-1-- RoHS--(LOT DESIGNATOR)(SEQUENTIAL FOOTAGE)
- PACKAGING:**
 CABLE SHIPPED ON A REEL

- NOM. DIA.
 .019"
 .036"
 .072"
 .205"
 .208"
 .265" NOM.
 .275" MAX.
 (BY PI TAPE)

UNLESS OTHERWISE SPECIFIED, DIMENSIONS ARE IN INCHES [mm] OVERALL CABLE LENGTH TOLERANCE: ≤12 [305] = +1 [25] / -0 >12 [305] - 60 [1524] = +2 [51] / -0 >60 [1524] - 120 [3048] = +4 [102] / -0 >120 [3048] - 300 [7620] = +6 [152] / -0 >300 [7620] = +5% / -0% ALL OTHER DIMENSIONAL TOLERANCES: .X = .2 [5.08] .XX = .02 [5.1] .XXX = .005 [1.3]	APPROVALS DRAWN BY BZHANG	DATE 10/23/2020		50 High Street, West Mill, North Andover, MA 01845 USA. Phone: 1.800.341.5266 1.978.682.6936		
	CHECKED BY D.CONTRAL	DATE 10/23/2020		CATEGORY TELECOM/MODULAR		
	APPROVED BY GUITADAURO	DATE 10/23/2020	PRODUCT DESCRIPTION C6a F/UTP 4PR/26 STR LSZH BLK			
PROJECTION 	CONFIGURATION DETAILS OF UNDIMENSIONED FEATURES MAY VARY		SIZE A	FSCM NO. 43321	DWG. NO. TFCLS6005-BLK	REV. C
COLOR VARIATIONS MAY OCCUR			SCALE: NONE CAD FILE: TFCLS6005-BLK.SLDDRW		SHEET 1 OF 2	

