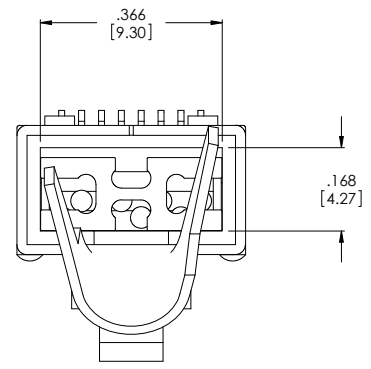
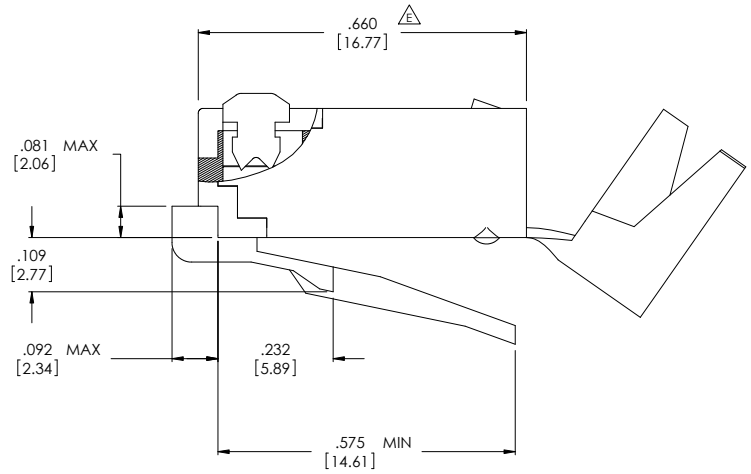
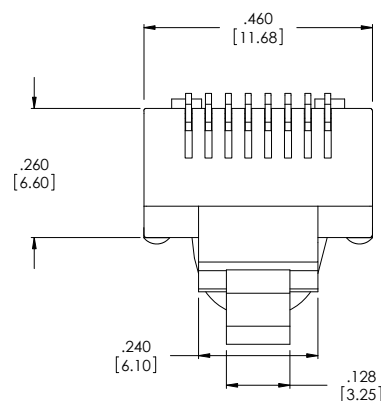
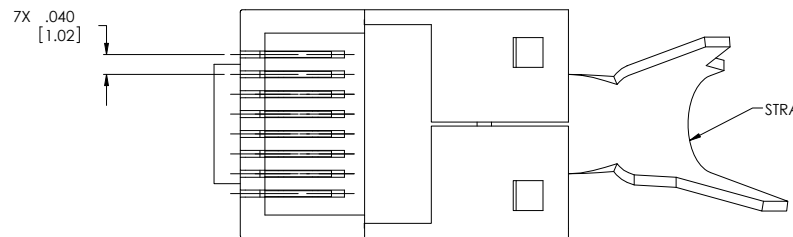


THE INFORMATION CONTAINED IN THIS DRAWING IS THE SOLE PROPERTY OF L-COM, INC. ANY REPRODUCTIONS IN PART OR WHOLE WITHOUT THE WRITTEN PERMISSION OF L-COM, INC. IS PROHIBITED.

REVISIONS			
REV	DESCRIPTION	DATE	CHANGED BY
B	ECN#2347: CONDUCTOR MAX OD WAS .037"	03/24/06	D. PARHAM
C	ECN 2587: REDIMENSION AND REFORMAT	10/30/2006	J. KIEZULAS
D	ECN3213: ADDED PACKAGING SPECIFICATION NOTE	03/03/08	D. PARHAM
E	ECN#3611: 660 WAS 418	08/27/12	D. PARHAM



NOTES:

MATERIAL:
HOUSING, LOAD BAR, PAIR SEPARATOR: POLYCARBONATE, CLEAR, UL94V-0
CONTACTS: PHOSPHOR BRONZE
SHIELD/STRAIN RELIEF: BRASS

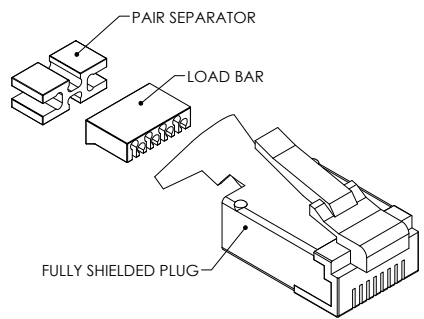
FINISH:
CONTACTS: 50 MICROINCHES [1.27 MICRON] MIN. GOLD IN CONTACT AREA
OVER 100 MICROINCHES [2.54 MICRON] MIN. NICKEL PLATE OVERALL.
CONTACT MATING SURFACE TO BE ELECTROPOLISHED
SHIELD/STRAIN RELIEF: 100 MICROINCHES [2.54 MICRON] NICKEL

ELECTRICAL:
VOLTAGE: 125 VAC. MAX.
CURRENT: 1.5 AMPS MAX.

MECHANICAL:
CONTACT STYLE: 2 PRONG
COMPATIBLE WITH STRANDED AND SOLID CONDUCTORS
CONDUCTOR RANGE: 24 - 26 AWG
MAX. CONDUCTOR INSULATION DIAMETER: .042 [1.07]
PARTS SHALL CONFORM TO TIA-1096

MISCELLANEOUS:
OPERATING TEMPERATURE RANGE: -40°C TO +125°C
TERMINATED CONTACT HEIGHT: .237±.005 [6.02±.13]
FOR TERMINATION OR TOOLING INFORMATION PLEASE VISIT
THE APPROPRIATE PRODUCT PAGE AT WWW.L-COM.COM
PARTS SHALL BE ROHS COMPLIANT

PACKAGE PER PS-0027



UNLESS OTHERWISE SPECIFIED,
DIMENSIONS ARE IN INCHES (mm)

OVERALL CABLE LENGTH TOLERANCES:
≤12 [305] ≤60 [1524] = +.2511 / -0
>12 [305] ≤120 [3048] = +.4 [102] / -0
>120 [3048] ≤300 [7620] = +.6 [152] / -0
>300 [7620] = +.95 [24.13] / -0

ALL OTHER DIMENSIONAL TOLERANCES:
X = ±.2
XX = ±.152
XXX = ±.005

PROJECTION

APPROVALS	DATE
DRAWN BY D. PARHAM	03/09/2006
CHECKED BY J. KIEZULAS	03/22/2006
APPROVED BY C. MCCORMICK	03/22/2006

Lcom Global Connectivity 45 BEECHWOOD DRIVE NORTH ANDOVER, MA 01845

CATEGORY: TELECOM/MODULAR

PRODUCT DESCRIPTION: RJ45 CAT6 SHLD PLUG W/ STRN RL

SIZE	PSCM NO.	DWG. NO.	REV.
B	43321	TDS8PC6	E

SCALE: 4:1 CAD FILE: TDS8PC6.SLDDRW SHEET 1 OF 1