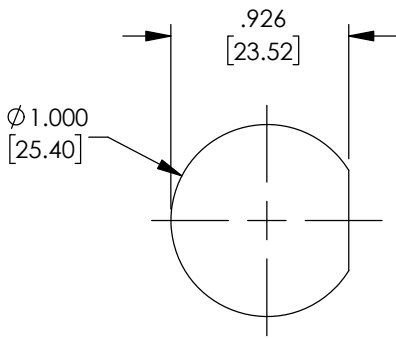
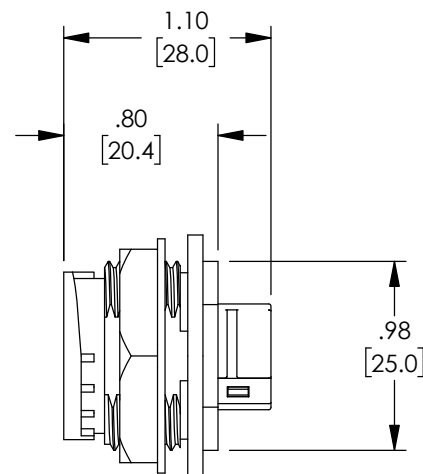
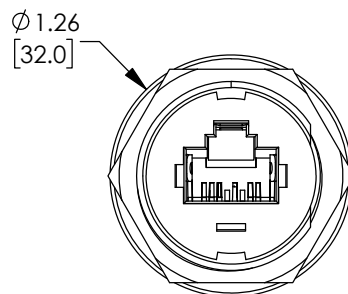
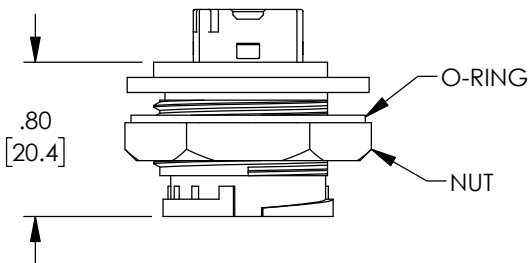


THE INFORMATION CONTAINED IN THIS DRAWING IS THE SOLE PROPERTY OF L-COM, INC. ANY REPRODUCTION IN PART OR WHOLE WITHOUT THE WRITTEN PERMISSION OF L-COM, INC. IS PROHIBITED.

REVISIONS			
REV	DESCRIPTION	DATE	APPROVED
A	INITIAL RELEASE	11/07/2019	DGUTTADAUR



RECOMMENDED
PANEL CUTOUT



SPECIFICATION:

QUALIFIED SCREENED CAT.6A PERMANENT LINK & CHANNEL
TIA-568.2-D
IEC60603-7-51

ISO/IEC11801 2.2 EDITION
CENELEC EN 50173-1

POWER OVER ETHERNET:

POE+ TYPE I & II
IEEE 802.3AT
IEC 60512-99-001 (2012-08)
IEC 60512-9-3 (2011-06)

ELECTRICAL:

INSULATION RESISTANCE: 500 MOHMS MINIMUM
CONTACT RESISTANCE: 20 MOHMS MAXIMUM

MECHANICAL:

PLUG INSERTION LIFE: 750 CYCLES MINIMUM
IP67 ADAPTER & NUT: HIGH IMPACT FLAME RETARDANT PLASTIC
PLUG RETENTION FORCE: 20 LBS MINIMUM
TEMPERATURE: -40°F TO 150°F (-40°C TO 68°C)

PHYSICALS:


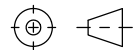
HOUSING & COVER: DIE CASTING
CONTACT WIRES: PHOSPHOR BRONZE GOLD OVER NICKEL PLATED
O-RING: RUBBER(NBR)

APPLICATION:

- IP67 INDUSTRIAL (WHEN MATED)

MISCELLANEOUS:

ALL DIMENSIONS ARE FOR REFERENCE ONLY.
COMPONENTS COME UN-ASSEMBLED, AND SHALL BE PACKAGED
IN ACCORDANCE WITH L-COM SPECIFICATION PS-0031.

UNLESS OTHERWISE SPECIFIED, DIMENSIONS ARE IN INCHES [mm] OVERALL CABLE LENGTH TOLERANCE: ≤12 [305] = +1 [25] / -0 >12 [305] ≤60 [1524] = +2 [51] / -0 >60 [1524] ≤120 [3048] = +4 [102] / -0 >120 [3048] ≤300 [7620] = +6 [152] / -0 >300 [7620] = +5% / -0 ALL OTHER DIMENSIONAL TOLERANCES: .X = ± .2 [5] FRACTIONS ± 1/32 .XX = ± .02 [5] ANGLES ± 1° .XXX = ± .005 [13]	APPROVALS	DATE	 50 High Street, West Mill, North Andover, MA 01845 USA. Phone: 1.800.341.5266 1.978.682.6936
	DRAWN BY DFRISIELLO	11/06/2019	
	CHECKED BY DGUTTADAUR	11/07/2019	
	APPROVED BY DGUTTADAUR	11/07/2019	
THIRD-ANGLE PROJECTION	CONFIGURATION DETAILS OF UNDIMENSIONED FEATURES MAY VARY	PRODUCT DESCRIPTION	CATEGORY TELECOM/MODULAR
	COLOR VARIATIONS MAY OCCUR	SIZE A	CAGE CODE 43321
		DWG. NO. TDG1026KS-C6A-DC-WPK	REV. A
		SCALE: NONE	CAD FILE: TDG1026KS-C6A-DC-WPK.SLDDRW SHEET 1 OF 1