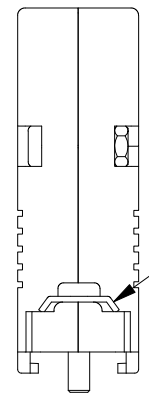
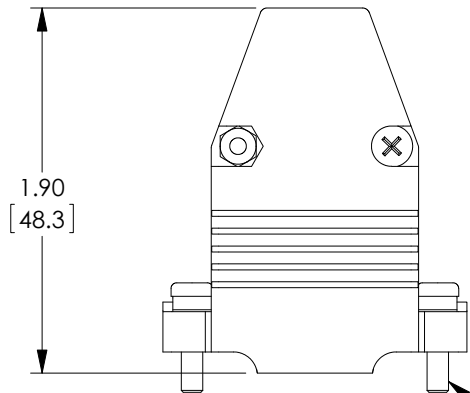
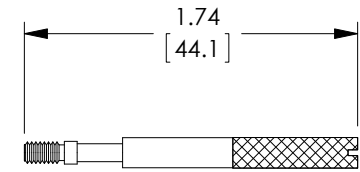
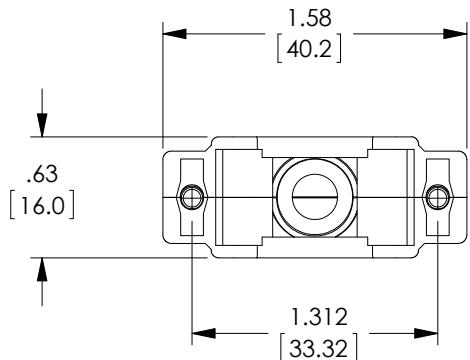


THE INFORMATION CONTAINED IN THIS DRAWING IS THE SOLE PROPERTY OF L-COM, INC. ANY REPRODUCTION IN PART OR WHOLE WITHOUT THE WRITTEN PERMISSION OF L-COM, INC. IS PROHIBITED.

REVISIONS			
REV	DESCRIPTION	DATE	APPROVED
A	INITIAL RELEASE	5/22/13	D.GRIFFIN
B	ECN 6859: ADDED 4-40 THUMBSCREW	5/24/13	D.FRISIELLO



2X, 4-40 UNC-2A SCREW



B 2X, 4-40 UNC-2A THUMBSCREW (INCLUDED)

NOTES:

MATERIAL: ZINC ALLOY
 FINISH: CHROMATE PLATED
 HARDWARE: 4-40 UNC-2A SCREWS AND THUMBSCREWS.

ALL DIMENSIONS ARE FOR REFERENCE ONLY.

COMPONENT SHALL BE INDIVIDUALLY PACKAGED IN ACCORDANCE WITH L-COM SPECIFICATION PS-0031.

REGULATORY COMPLIANCE:
 ROHS, CE



UNLESS OTHERWISE SPECIFIED, DIMENSIONS ARE IN INCHES [mm] OVERALL CABLE LENGTH TOLERANCE: ≤12 [305] = +1 [25] / -0 >12 [305] ≤60 [1524] = +2 [51] / -0 >60 [1524] ≤120 [3048] = +4 [102] / -0 >120 [3048] ≤300 [7620] = +6 [152] / -0 >300 [7620] = +5% / -0% ALL OTHER DIMENSIONAL TOLERANCES: .X = ± .2 .XX = ± .02 .XXX = ± .005	APPROVALS	DATE		45 BEECHWOOD DRIVE NORTH ANDOVER, MA 01845
	DRAWN BY D.FRISIELLO	5/22/13		CATEGORY AUDIO/VIDEO
PROJECTION 	CONFIGURATION DETAILS OF UNDIMENSIONED FEATURES MAY VARY	CHECKED BY D.DESJARDIN	5/22/13	PRODUCT DESCRIPTION DVI METAL HOOD KIT
COLOR VARIATIONS MAY OCCUR	SIZE A	FSCM NO. 43321	DWG. NO. SDCDVIAG	REV. B
SCALE: NONE		CAD FILE: SDCDVIAG.SLDDRW		SHEET 1 OF 1