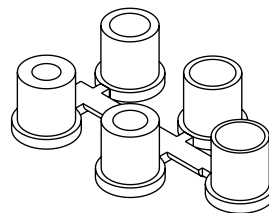
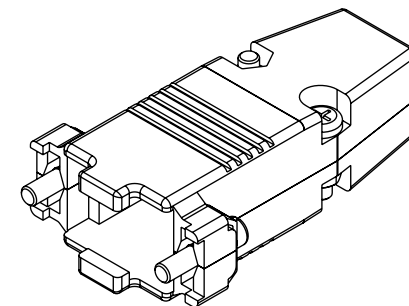
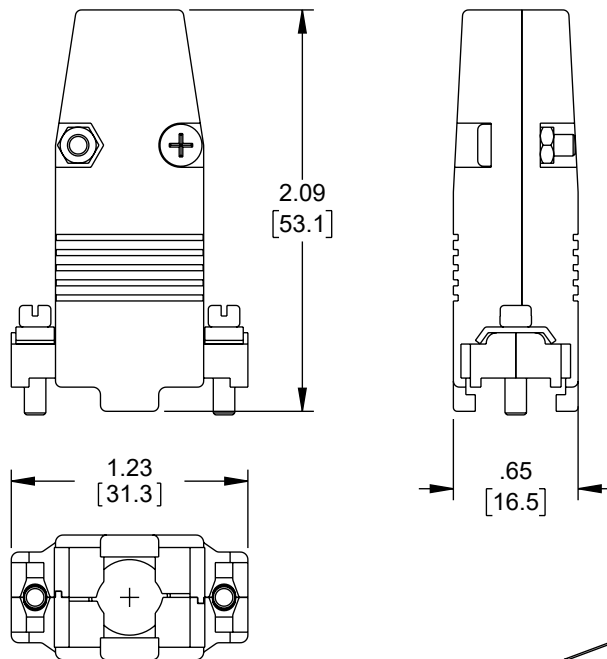
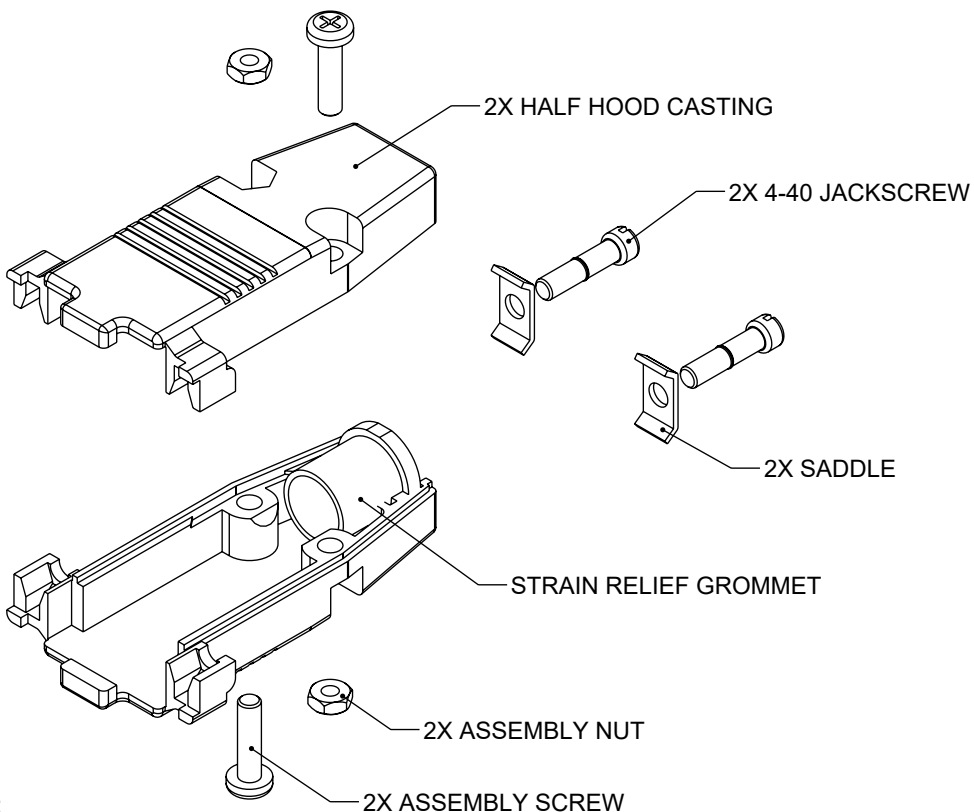


THE INFORMATION CONTAINED IN THIS DRAWING IS THE SOLE PROPERTY OF L-COM, INC. ANY REPRODUCTION IN PART OR WHOLE WITHOUT THE WRITTEN PERMISSION OF L-COM, INC. IS PROHIBITED.

REVISION					
ZONE	REV	DESCRIPTION	DATE	CHANGED BY	APPROVED
B8	F	ECO-12340	06/20/2023	SREITER	DGUST



NOTES:

MATERIAL:

HOOD: DIE-CAST ZINC ALLOY
 JACKSCREWS: STEEL OR STAINLESS STEEL
 SADDLE & ASSEMBLY HARDWARE: STEEL OR STAINLESS STEEL
 STRAIN RELIEF GROMMETS: PVC BLACK


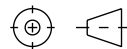
FINISH:

HOOD: NICKEL PLATED, MATTE FINISH ON MAJOR SURFACES
 JACKSCREWS: NICKEL PLATED; PASSIVATE IS OPTION FOR STAINLESS STEEL
 SADDLE & ASSEMBLY HARDWARE: NICKEL PLATED; PASSIVATE IS OPTION FOR STAINLESS STEEL

MISCELLANEOUS:

INTENDED FOR USE WITH 9-PIN STANDARD AND 15-PIN HIGH DENSITY D-SUBMINIATURE CONNECTORS.
 SUPPLIED WITH 5 STRAIN RELIEF GROMMETS FOR CABLES HAVING DIAMETERS RANGING FROM .190 TO .335 INCH.

COMPONENT SHALL BE INDIVIDUALLY PACKAGED IN ACCORDANCE WITH L-COM SPECIFICATION PS-0031.

UNLESS OTHERWISE SPECIFIED, DIMENSIONS ARE IN INCHES [mm] OVERALL CABLE LENGTH TOLERANCE: ≤12 [305] = +1 [25] / -0 >12 [305] ≤60 [1524] = +2 [51] / -0 >60 [1524] ≤120 [3048] = +4 [102] / -0 >120 [3048] ≤300 [7620] = +6 [152] / -0 >300 [7620] = +5% / -0 ALL OTHER DIMENSIONAL TOLERANCES: .X = ± .2 [5] FRACTIONS ± 1/32 .XX = ± .02 [5] ANGLES ± 1° .XXX = ± .005 [13]	APPROVALS	DATE	 50 High Street, West Mill, North Andover, MA 01845 USA. Phone: 1.800.341.5266 1.978.682.6936
	DRAWN BY T CLARK CHECKED BY D PARHAM APPROVED BY C MCCORMICK	12/06/2004 12/07/2004 12/08/2004	
THIRD-ANGLE PROJECTION 	CONFIGURATION DETAILS OF UNDIMENSIONED FEATURES MAY VARY COLOR VARIATIONS MAY OCCUR	PRODUCT DESCRIPTION DB9 AND HD15 HOOD KIT	REF
	SIZE A	CAGE CODE 43321	ITEM NO. SDC9AG
		SCALE: NONE	CAD FILE: SDC9AG.SLDDRW
			SHEET 1 OF 1