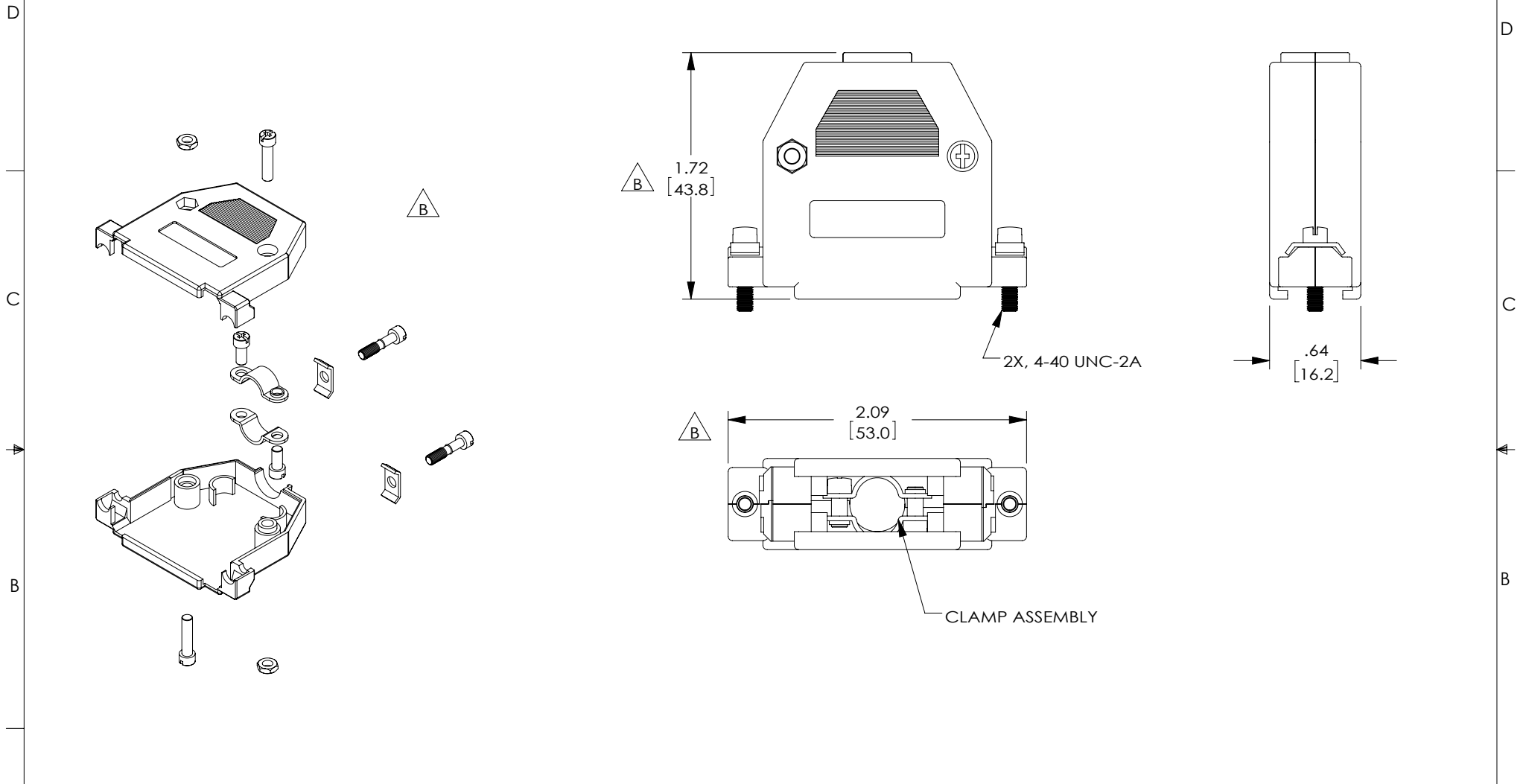


THE INFORMATION CONTAINED IN THIS DRAWING IS THE SOLE PROPERTY OF L-COM, INC. ANY REPRODUCTION IN PART OR WHOLE WITHOUT THE WRITTEN PERMISSION OF L-COM, INC. IS PROHIBITED.

REVISIONS			
REV	DESCRIPTION	DATE	APPROVED
A	INITIAL RELEASE	9/14/10	D.GRIFFIN
B	ECN 10726: UPDATE MODEL AND DIM'S	10/15/2020	BGATES


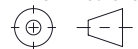


NOTES:

HOOD: FLAME RETARDANT PLASTIC, GRAY

HARDWARE PROVIDED: FOR MALE GENDER TERMINATION.
FEMALE HARDWARE SOLD SEPARATELY.

COMPONENT ASSEMBLY SHALL BE INDIVIDUALLY PACKAGED
IN ACCORDANCE WITH L-COM SPECIFICATION PS-0031.

UNLESS OTHERWISE SPECIFIED, DIMENSIONS ARE IN INCHES [mm] OVERALL CABLE LENGTH TOLERANCE: ≤12 [305] = +1 [25] / -0 >12 [305] ≤60 [1524] = +2 [51] / -0 >60 [1524] ≤120 [3048] = +4 [102] / -0 >120 [3048] ≤300 [7620] = +6 [152] / -0 >300 [7620] = +5% / -0 ALL OTHER DIMENSIONAL TOLERANCES: .X = ± .2 [5] FRACTIONS ± 1/32 .XX = ± .02 [.5] ANGLES ± 1° .XXX = ± .005 [.13]	APPROVALS	DATE	 50 High Street, West Mill, North Andover, MA 01845 USA. Phone: 1.800.341.5266 1.978.682.6936		
	DRAWN BY D.FRISIELLO	9/14/10		CATEGORY D-SUBMINIATURE	
	CHECKED BY D.CASTRO	9/14/10			
THIRD-ANGLE PROJECTION 	APPROVED BY S.SMITH 9/14/10	CONFIGURATION DETAILS OF UNDIMENSIONED FEATURES MAY VARY	PRODUCT DESCRIPTION DB25/HD44 PLASTIC GRAY HOOD		
COLOR VARIATIONS MAY OCCUR		SIZE A	CAGE CODE 43321	DWG. NO. SDC25G	REV. B
SCALE: NONE		CAD FILE: SDC25G.SLDDRW		SHEET 1 OF 1	